

HOOKER[®]

— FURNITURE —

ASSEMBLY INSTRUCTION

Item#: 5820-75203T-84 48in Round Dining Table Top
 5820-75203B-84 48in Round Dining Table Base

**** Please make sure you have all parts indicated below prior to assembly.
 This table is heavy and can best be assembled with the help of two or more people**

NO.	HARDWARE LIST		Q'TY
A		ALLEN WRENCH	1
B		ALLEN BOLT	4
C		LOCK WASHER	4
D		FLAT WASHER	4

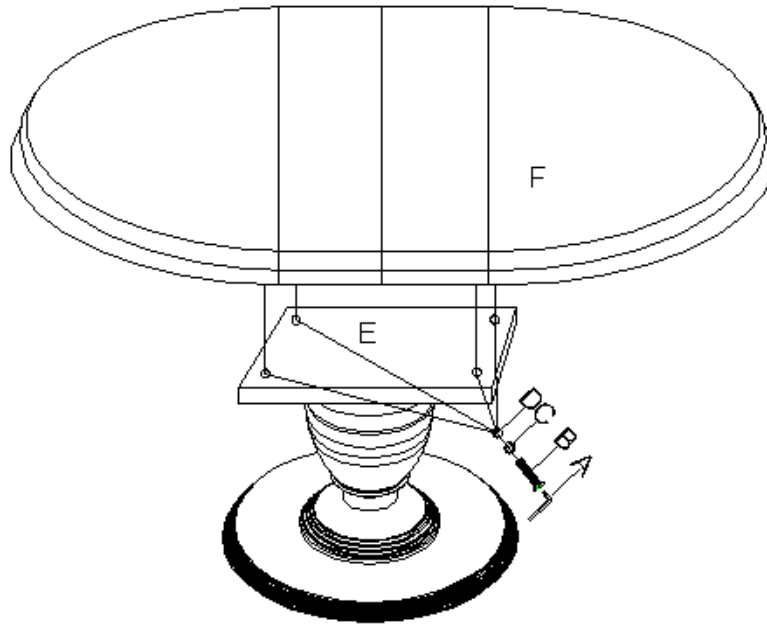
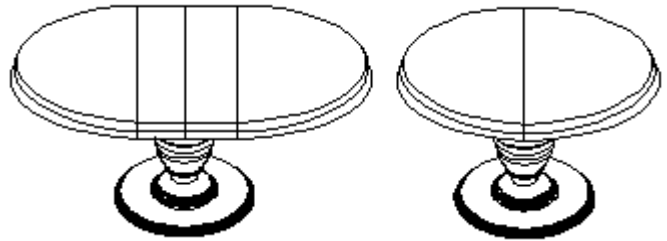


Diagram 1

Assembly steps :

1. Well place the top (F) onto mounting bridge (E) of the base by using bolts (B), lock washers (C) and flat washers (D), tighten all with allen wrench (A). (See Diagram 1)

Instruction for table leaves:

1. There are latches at the bottom of table top, turn off the latches as shown in Diagram 2.
2. Pull out table top as the arrow direction shown in Diagram 3
3. Place table leaves between and push table tops together.
4. Turn on latches. (see Diagram 2)
5. Take opposite actions to remove table leaves.

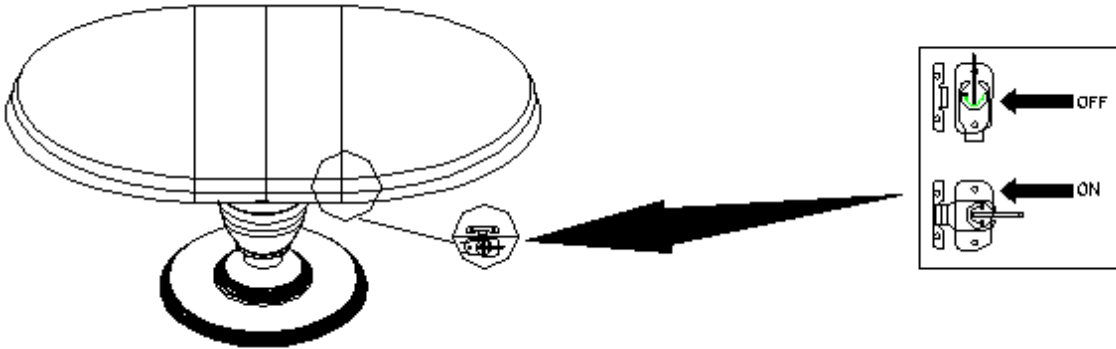


Diagram 2

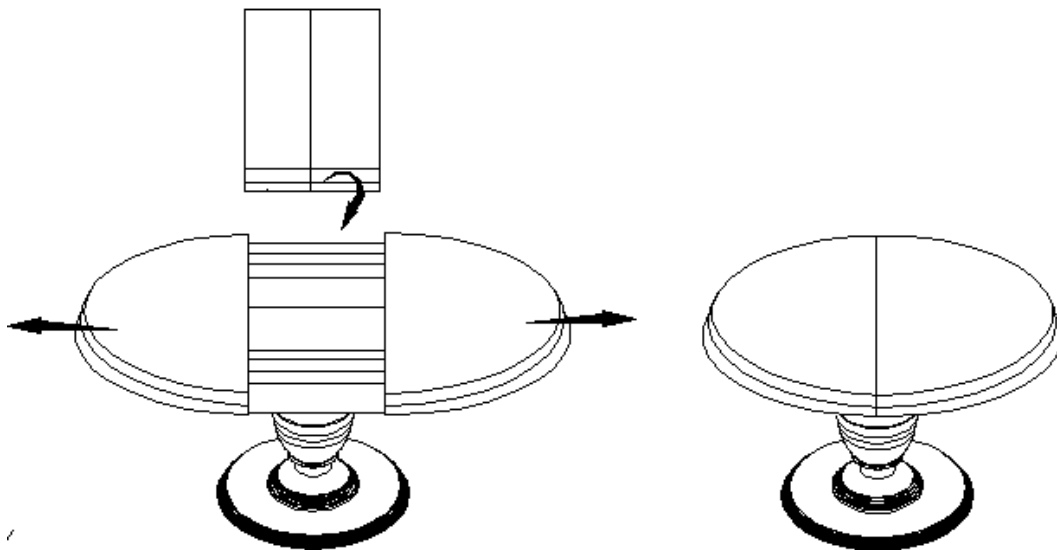


Diagram 3

Cleaning Instruction: Clean finished parts with a damp cloth using a mild dishwashing liquid and water solution. Polish the finish with soft cloth and an industry recognized furniture polish.