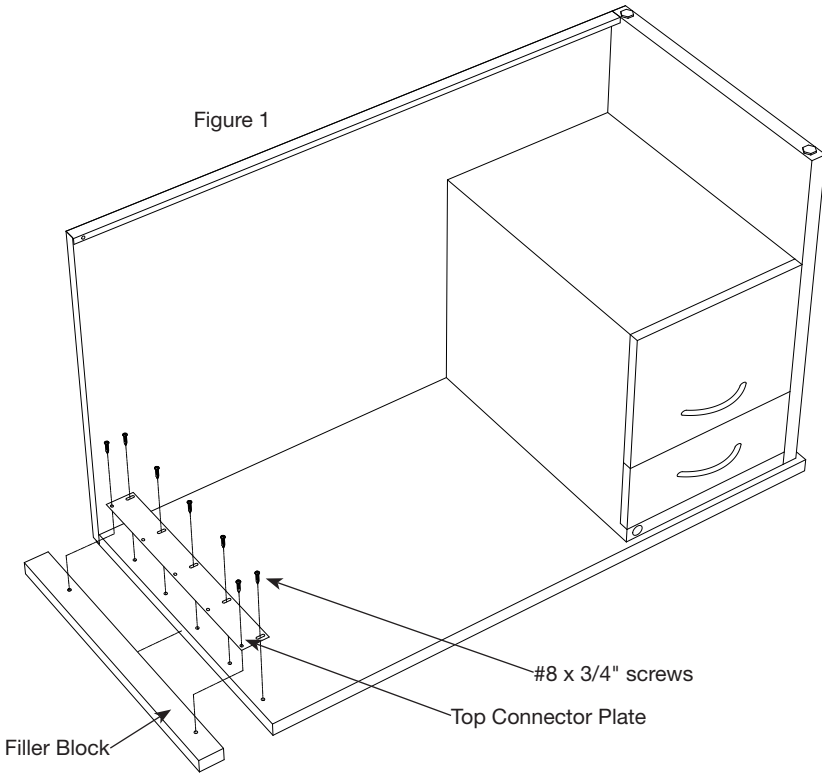


Read all instructions and review illustrations before assembly.

Return Desk Assembly Instructions



WARNING

This desk is heavy. Two or more people are required for assembly. Attempting to assemble this desk alone may cause injury. Take care when handling metal parts. Sharp edges may cause injury.

Tools needed for assembly:
Phillips Screwdriver
Level

1. With two or more people, turn the return desk upside down. Place on cardboard or carpeted surface in order to prevent the top from being scratched.
2. Remove the top connector plate and filler block. See **Figure 1**. Keep the top connector plate and screws for the next step. The filler block can be discarded.
3. Install the top connector plate on the single pedestal desk using 5 #8 x 3/4" screws. See **Figure 2**.
4. Use two or more people to turn the return desk upright.
5. Place the return desk on top of the connector plate. Align as shown in **Figure 2**.
6. Attach the return desk to the connector plate using 5 #8 x 3/4" screws.
7. Use 1 screw to install the bottom connector plate between the desk and return as shown in **Figure 3**.
8. Adjust leveling glides as needed to level desk front to back and side to side.

