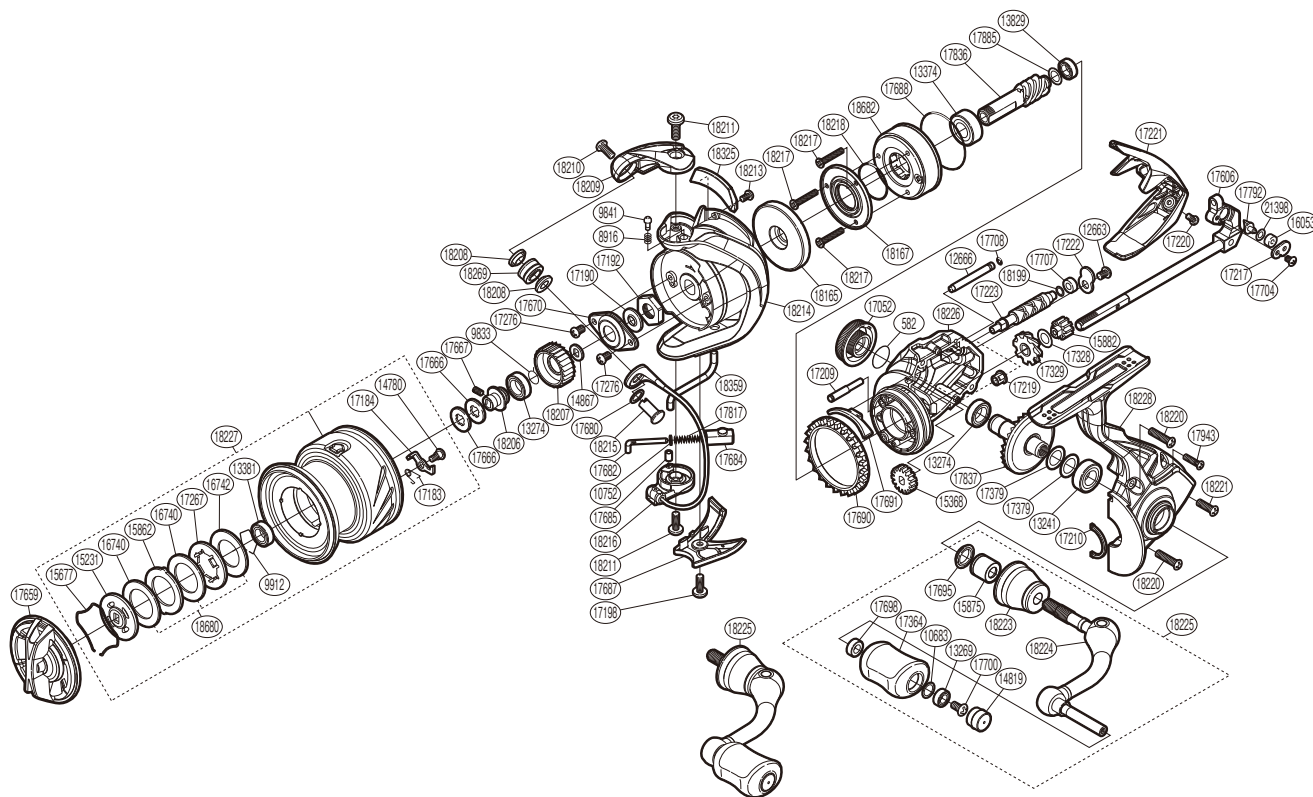


SHIMANO

SUSTAIN

SA-2500HGF1



(51SF12E027X)

#	Part No.	Description	#	Part No.	Description	#	Part No.	Description
582	108WH	O Ring	17217	10HAK	Oscillating Pawl Cover	17885	10HEP	Washer
8916	10CH0	Click Spring	17219	106MA	Worm Bushing (Front)	17943	10LPL	Screw
9833	107V2	Ratchet Spring	17220	10PRZ	Screw	18165	10SYA	Rotor Ring
9841	10CHA	Click Pin	17221	10NNF	Rear Protector	18167	10SYJ	Roller Clutch Reinforce
9912	10GEW	Bearing Retainer	17222	10ATJ	Worm Shaft Retainer	18199	10ECK	Washer
10683	10HTT	Washer	17223	1068G	Worm Shaft	18206	10THY	Spool Bushing
10752	10TYE	Bail Spring Guide A Support	17267	10BCG	Key Washer	18207	10SYS	Drag Click Ratchet
12663	10LHQ	Screw	17276	10PME	Screw	18208	10TJM	Spacer
12666	10H17	Oscillating Guide A	17328	10B7U	Washer	18209	10TJL	Bail Arm
13241	104JD	Ball Bearing	17329	10R3M	Idle Gear B (Large)	18210	10TLJ	Screw
13269	104VX	Ball Bearing	17364	10369	Handle Knob	18211	10TLM	Screw
13274	104PP	Ball Bearing	17379	10GR3	Washer	18213	10TLH	Screw
13374	104Q5	Ball Bearing	17606	10DMW	Main Shaft Assembly	18214	10SYT	Rotor
13381	104JT	Ball Bearing	17659	10DLV	Drag Knob	18215	10TLK	Line Roller Support
13829	104JZ	Ball Bearing	17666	10BU9	Spool Washer	18216	10SX8	Bail Assembly
14780	10A6F	Screw	17667	10PN3	Set Screw	18217	10TJP	Screw
14819	10HBW	Handle Knob Seal	17670	10TRH	Rotor Nut Lock Plate	18218	10EAY	Roller Clutch O Ring
14867	103PE	Spool Support	17680	1018Z	Washer	18220	10U08	Screw
15231	10QBU	Key Washer	17682	1061L	Bail Spring Guide A	18221	10L6G	Screw
15368	10HBH	Idle Gear	17684	107AB	Bail Spring Seat	18223	10TJK	Handle Shaft Cover
15677	10B8M	Drag Washers Retainer	17685	10TRC	Bail Spring Guide A Bush	18224	10SKV	Handle Shank Assembly
15862	102XW	Eared Washer	17687	10TPJ	Bail Hold Support Guard	18225	10TJ9	Handle Assembly
15875	10C82	Handle Shaft Cover B	17688	10MLU	O Ring	18226	10TJ2	Body
15882	106RH	Idle Gear B (Small)	17690	104FV	Friction Ring	18227	10SMN	Spool Assembly
16053	10JXM	Oscillating Slider Bushing	17691	10TQF	Bail Trip Strike	18228	10SKX	Side Cover
16740	10345	Drag Washer	17695	10PXV	Handle Shaft Seal	18269	10RY0	Line Roller (With Bearing)
16742	10C1A	Drag Washer	17698	10PXZ	Handle Knob Bushing	18325	10EDG	Counterweight Assembly
17052	10N4J	Handle Screw Cap	17700	10LFA	Screw	18359	10RA8	Bail Trip Lever
17183	10BQF	Drag Click Spring	17704	10LCD	Screw	18680	10SAD	Washer
17184	102H5	Drag Click	17707	106CN	Worm Bushing	18682	10S16	Roller Clutch Assembly
17190	107L4	Bearing Water Proof	17708	10JAC	O Ring	21398	10RKQ	Washer
17192	1067Y	Rotor Nut	17792	106U2	Oscillating Pawl			
17198	10PS7	Screw	17817	10DMC	Bail Spring			
17209	10CLD	Idle Gear B Shaft	17836	101SS	Pinion Gear			
17210	10CBD	Flange Water Proof	17837	101WY	Drive Gear			
						18054	10G4L	Anti Line Slip Sticker

Please note that the number of adjusting washers may not be the same as shown in the exploded views.
(Adjustment will vary with each individual product.)

(240627)_011