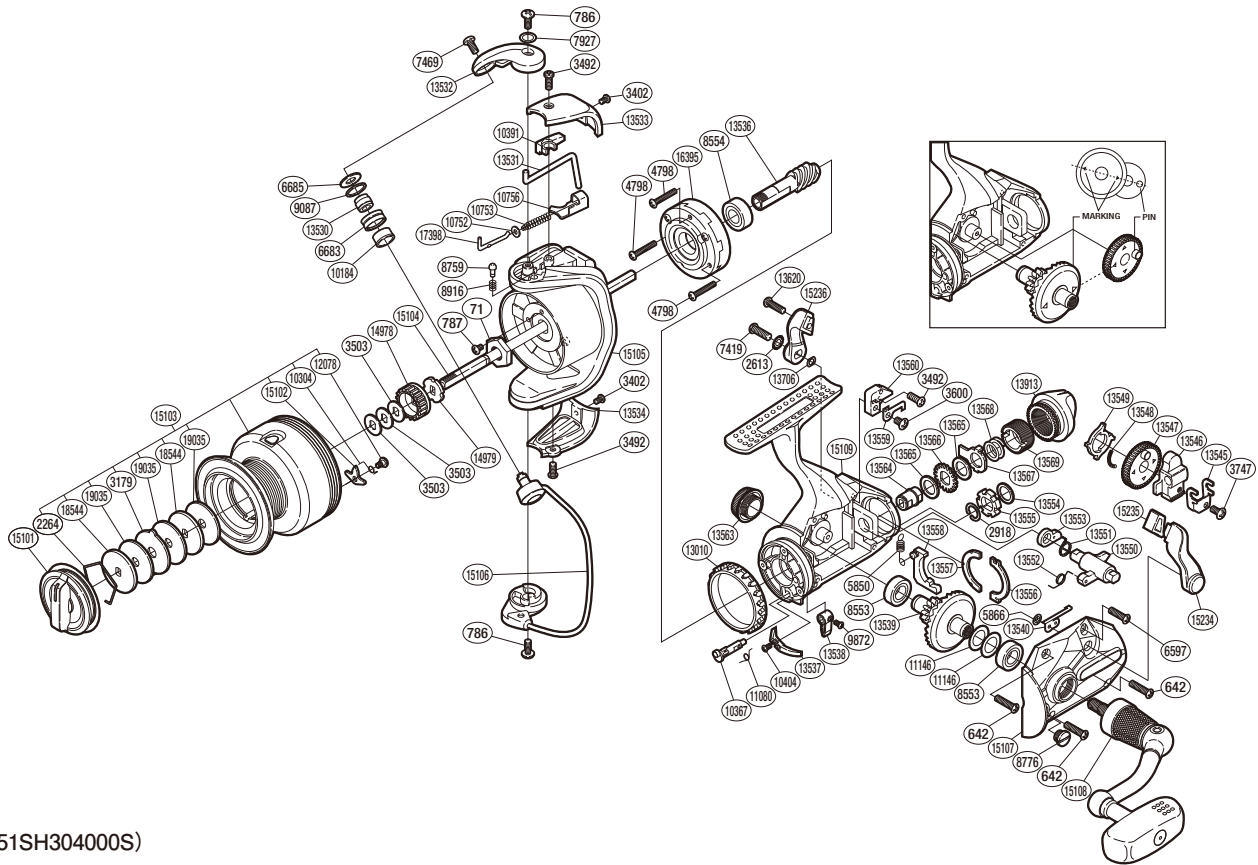


SHIMANO

BAITRUNNER

BTR-4000OC



(51SH304000S)

#	Part No.	Description	#	Part No.	Description	#	Part No.	Description
71	10MSQ	Rotor Nut	10391	106XW	Bail Trip Cover	13558	10N0U	Baitrunner Pawl
642	10M35	Screw	10404	103N2	Screw	13559	106RX	Dial Click
786	103J1	Screw	10752	10TYE	Spring Guide A Support	13560	10JVT	Dial Click Holder
787	103L6	Screw	10753	10FVD	Bail Spring	13563	10GVU	Handle Screw Cap
2264	10B8C	Drag Washers Retainer	10756	10HEB	Bail Spring Seat	13564	10MYR	Free Spool Tension Shaft
2613	105N4	Lock Washer	11080	10DCN	Anti-Reverse Cam Spring	13565	10P2F	Free Spool Tension Washer
2918	105S3	C Lock	11146	10JDB	Washer	13566	10LMF	Click Gear
3179	10BE4	Eared Washer	12078	10PH4	Screw	13567	107CS	Eared Washer
3402	103ND	Screw	13010	10D7L	Friction Ring	13568	106RT	Free Spool Tension Spring
3492	103DC	Screw	13530	10CZD	Line Roller Collar	13569	106RP	Free Spool Tension Screw
3503	10BXC	Spool Washer	13531	10FB4	Bail Trip Lever	13620	10L6D	Screw
3600	103L4	Screw	13532	10JEY	Bail Arm	13706	1074X	Washer
3747	10LSQ	Screw	13533	10CUJ	Bail Spring Cover	13913	10JX2	Baitrunner Tension Dial
4798	103C6	Screw	13534	107WP	Bail Hold Support Guard	14978	103PG	Spool Support A
5850	10G75	Baitrunner Pawl Spring	13536	10M3U	Pinion Gear	14979	10J03	Spool Support B
5866	109H9	Push Nut	13537	10D90	Bail Trip Strike	15101	102FN	Drag Knob
6597	10M2R	Screw	13538	10LR6	Anti-Reverse Lever	15102	1038F	Drag Click
6683	10JLW	Line Roller	13539	104K8	Drive Gear	15103	10J0Z	Spool Assembly
6685	10PK6	Line Roller Washer	13540	106S4	Baitrunner Click	15104	10L4S	Main Shaft
7419	10LLG	Screw	13545	10JZR	Oscillating Slider Retainer	15105	102SU	Rotor
7469	10PMJ	Screw	13546	104WN	Oscillating Slider	15106	106Y2	Bail Assembly
7927	10HWZ	Washer	13547	10PGP	Oscillating Gear	15107	1049Z	Side Cover
8553	107AT	Ball Bearing	13548	10JVS	Oscillating Gear Ratchet Spring	15108	10HJ5	Handle Assembly
8554	107FE	Ball Bearing	13549	10JVR	Oscillating Gear Ratchet	15109	102MK	Body
8759	106UX	Click Pin	13550	106MV	Clutch Arm	15234	10Q76	Baitrunner Lever Arm L
8776	104KM	Oil Cap	13551	10GMW	Clutch Cam Spring	15235	10P9L	Baitrunner Lever Bridge
8916	10CH0	Click Spring	13552	10N1U	Clutch Spring	15236	108NU	Baitrunner Lever Arm R
9087	10KFE	Line Roller Spacer	13553	10LYS	Clutch Cam	16395	10QP1	Roller Clutch Assembly
9872	10PRU	Screw	13554	106WL	Spacer	17398	105LU	Bail Spring Guide A
10184	10PFH	Line Roller Bushing	13555	10P0P	Baitrunner Ratchet	18544	10N27	Key Washer
10304	10JX8	Click Spring	13556	106S2	Dial Retainer	19035	10N59	Drag Washer
10367	104YE	Anti-Reverse Cam	13557	1050W	Dial Retainer B			

Please note that the number of adjusting washers may not be the same as shown in the exploded views.
(Adjustment will vary with each individual product.)

(230801)_005