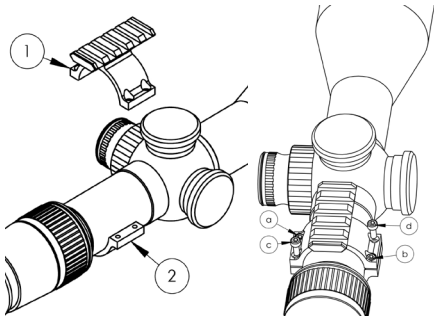


ASSEMBLING THE MOUNTING ADAPTER ONTO THE MAGNIFYING SCOPE

1. Open the ring halves (1) and (2) of the mounting adapter.
2. Position the ring halves on the magnifying scope.
3. Use an Allen Wrench 3/32" to tighten the screws (3). Tighten the ring screws lightly so that the mounting adapter can be rotated and slide to its position.
4. Tighten the ring screws (3) equally so space between the top (1) and bottom (2) halves is uniform.
5. Put some Loctite on each screw. Tighten the screws crosswise (a, b, c and d). Do not over-tighten the screws.



Aimpoint®

User Manual for Mounting Adapter 30mm/34mm with Picatinny Rail



Aimpoint AB
Jägershillgatan 15
SE- 213 75 Malmö, Sweden
Phone +46 (0)40 671 50 20
Fax +46 (0)40 21 92 38
e-mail: info@aimpoint.se
www.aimpoint.com

Aimpoint Inc.
14103 Mariah Court
Chantilly, VA 20151-2113, USA
Phone +1 703-263-9795
Fax +1 703-263-9463
e-mail: info@aimpoint.com
www.aimpoint.com

THE FUTURE IN SIGHT®

© Copyright 2010. Contents property of Aimpoint.

All rights reserved. [12810-1]

PRESENTATION

The Aimpoint® Mounting Adapter is intended to be installed on magnifying scopes with a 30mm/34mm tube diameter. The Adapter has a MIL-Std 1913 Picatinny rail (STANAG 4694 NATO Accessory rail) on which the Aimpoint® Micro sight can be mounted.

PHYSICAL SPECIFICATIONS

	30mm	34mm
Weight	38 g (1.3 oz)	46 g (1.6 oz)
Ring (A)	30 mm (1.2")	34 mm (1.3")
Height above tube (B)	13 mm (0.5")	14.5 mm (0.6")
Width (C)	20 mm (0.8")	22 mm (0.9")
Length (D)	50 mm (2")	50 mm (2")

LOCATION AND DESCRIPTION OF MAJOR COMPONENTS

