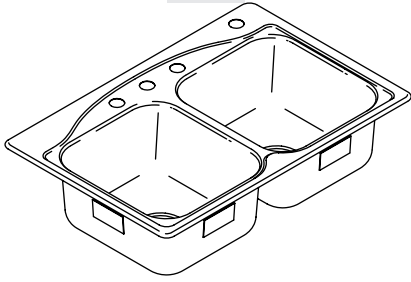


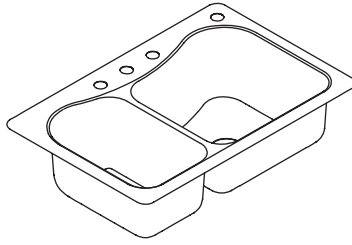
Installation Guide

Stainless Steel Kitchen Sinks

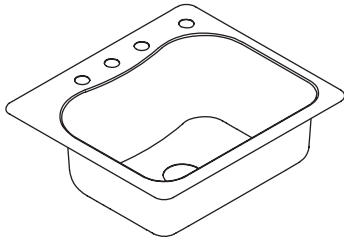
K-3145



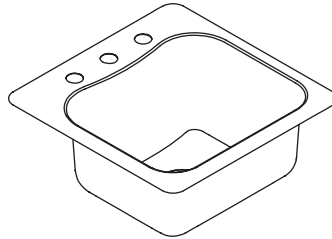
K-3361



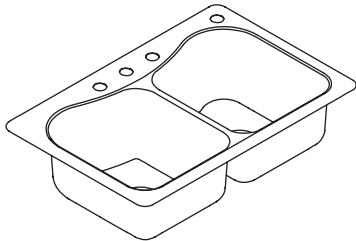
K-3362



K-3363



K-3369



M product numbers are for Mexico (i.e. K-12345**M**)
Los números de productos seguidos de
M corresponden a México (Ej.
K-12345**M**)
Français, page "Français-1"
Español, página "Español-1"

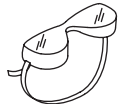
1013270-2-E

THE BOLD LOOK
OF **KOHLER**®

Thank You For Choosing Kohler Company

We appreciate your commitment to Kohler quality. Please take a few minutes to review this manual before you start installation. If you encounter any installation or performance problems, please don't hesitate to contact us. Our phone numbers and website are listed on the back cover. Thanks again for choosing Kohler Company.

Tools and Materials



Safety Glasses



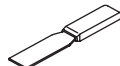
Measuring Tape



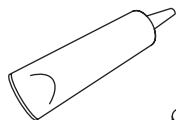
Pencil



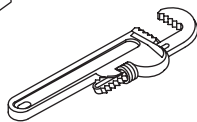
Drill



Putty Knife



Silicone Sealant



Pipe Wrench



Plumbers Putty

Plus:

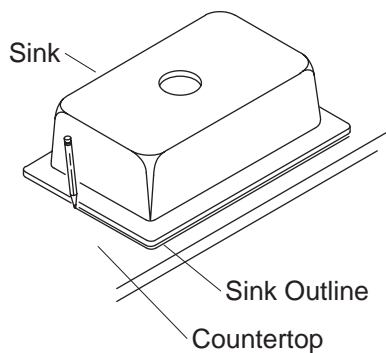
- Level
- 5/16" Deepwall Socket or 5/16" Nut Driver
- Keyhole/Jigsaw
- Gloves

Before You Begin

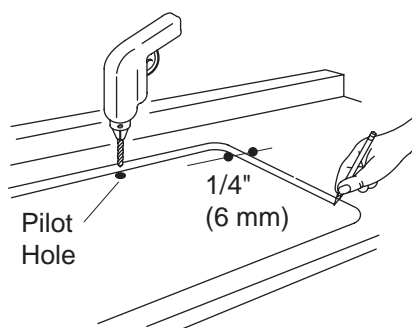


WARNING: Risk of personal injury. Metal surfaces are sharp and can cause severe cuts. Use gloves and handle sink edges carefully.

- Observe all local plumbing and building codes.
- Shut off the hot and cold water supplies.
- Prior to installation, unpack the new sink and inspect it for damage. Return the sink to its protective carton until you are ready to install it.
- Inspect the drain and supply tubing. Replace if necessary.
- All information in these instructions is based on the latest product information available at the time of publication. Kohler Co. reserves the right to make changes at any time without notice.



Trace the outline of the sink on the countertop with a pencil at the desired installation location.



Create a second line 1/4" (6 mm) in from the original sink outline.

1. Preparation



WARNING: Risk of personal injury. Metal surfaces are sharp and can cause severe cuts. Use gloves and handle sink edges carefully.

For new installations:

- Carefully place the sink upside down on the countertop in the desired position. Be careful not to damage the sink finish.
- Make sure the sink will not interfere with the cabinet.
- Trace the sink outline onto the countertop. Do **not** cut along the outline.

For existing installations:

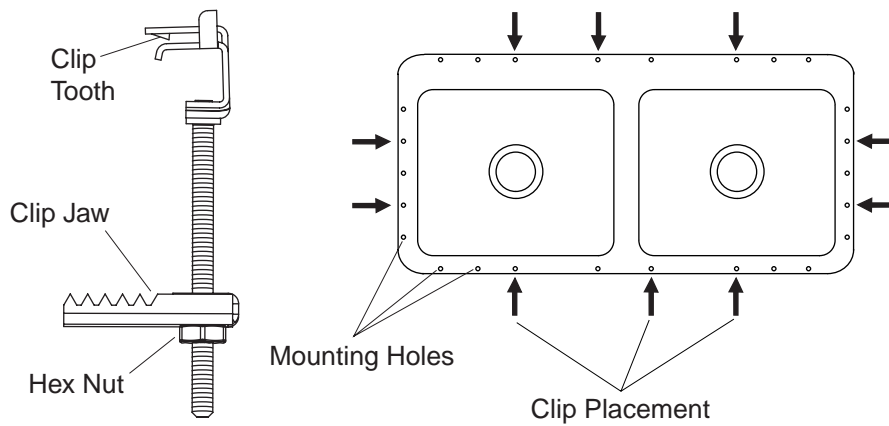
- Carefully lift the old sink out of the countertop.
- Compare the existing cut-out to the required cut-out size.
- If needed, enlarge the cut-out hole according to the directions for new installations.

For all installations:

- Draw a line 1/4" (6 mm) inside the sink outline.
- Before cutting, measure the cut-out line you just drew and compare it to the overall sink dimensions. The cut-out should be 1/2" (1.3 cm) smaller than the overall sink dimensions.

Preparation (cont.)

- Drill a pilot hole inside the cutting line. Using a jig or keyhole saw, **cut along the inside line** to cut out the opening in the countertop.



2. Install the Clips

- Turn the sink upside down onto a clean, soft surface.
- Slide the clips over the predrilled mounting holes in the sink rim. Refer to the illustration for correct clip positions (three clips on the front and back; two on each side).

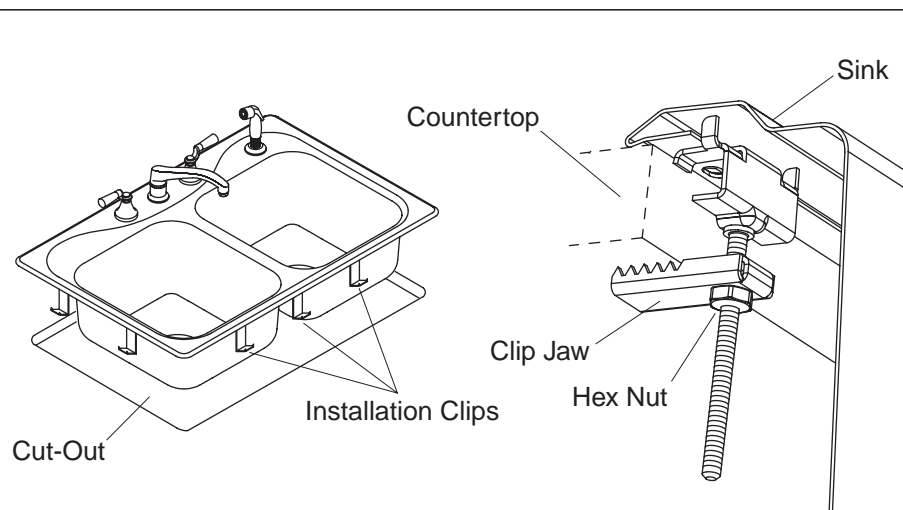
NOTE: Make sure the clip teeth are fully seated in the mounting hole.

- Turn all the clip jaws parallel to the sink rim.

3. Install the Faucet Fitting

- Install the faucet and drain fitting according to the manufacturer's instructions.

NOTE: If you are reusing fittings from an old sink, use plumbers putty under the faucet base and top flange of the strainer.



4. Install the Sink

- Apply a bead of quality sealant to the underside of the sink rim.

NOTE: The fasteners may need to be repositioned to compensate for an uneven countertop.

- Squarely position the sink onto the cut-out area.
- Rotate the clip jaws underneath the countertop, as illustrated.
- Tighten the hex nuts to lower the sink rim down onto the countertop. Do not overtighten.
- Use a dry cloth to wipe away any excess sealant.
- Verify that there are no gaps.
- Allow the sealant to cure for at least 30 minutes.
- Install the garbage disposal, if used, according to the manufacturer's instructions.
- Connect and tighten the trap to the strainer, and complete the water supply connections to the faucet according to the instructions packed with the faucet.
- Run water into the sink and check for leaks.