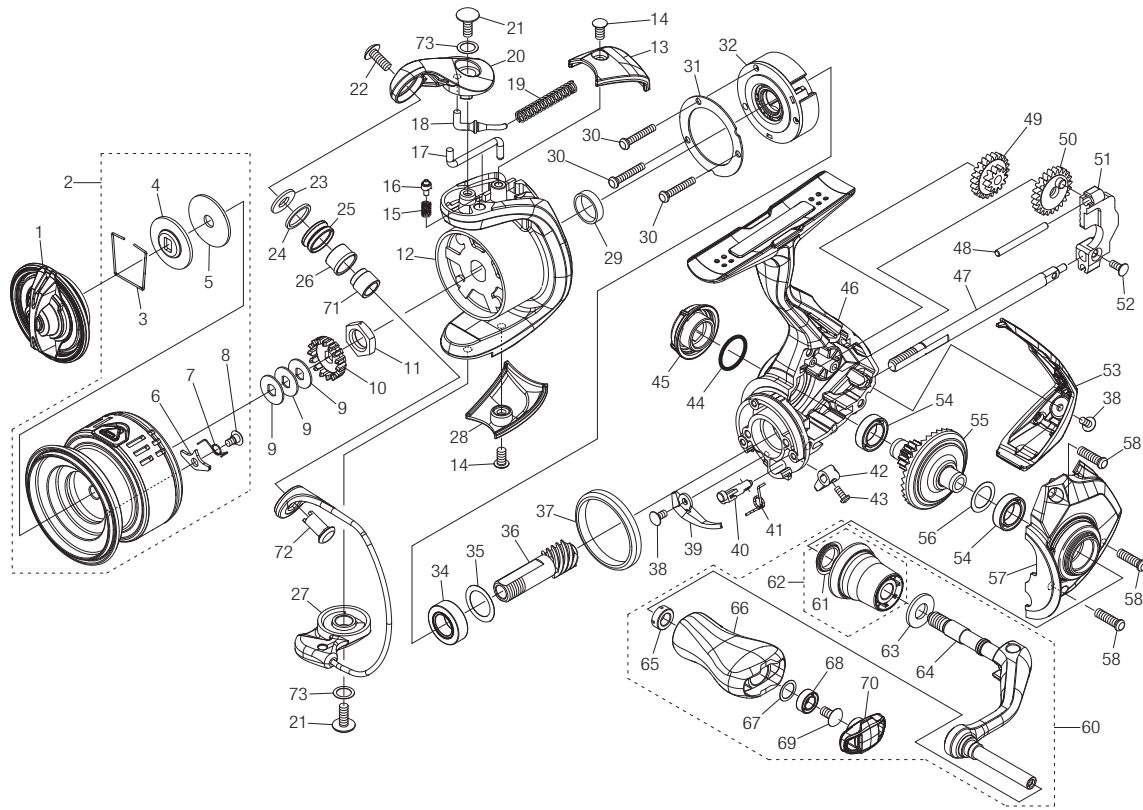


SHIMANO

NASCI

NAS500FD



(51SF911A05X)

Please note that the number of adjusting washers may not be the same as shown in the exploded views.
(Adjustment will vary with each individual product.)

#	Part No.	RD No.	Description	#	Part No.	RD No.	Description	#	Part No.	RD No.	Description
1	1001L	21950	Drag Knob Assembly	28	107WM	12940	Bail Hold Support Guard	56	10EEZ	21178	Washer
2	149P4		Spool Assembly	29	10HB7	18697	Rotor Ring	57	149P8		Side Cover
3	10MZN	18686	Retainer	30	10L1Z	12942	Screw	58	100H5	22129	Screw
4	10S0W	18687	Key Washer	31	10AEX	12975	Roller Clutch Reinforce	60	149P0		Handle Assembly
5	10N56	10301	Drag Washer	32	10QPH	16379	Roller Clutch Assembly	61	10PXV	17695	Handle Shaft Seal
6	10BWZ	16100	Drag Click	34	107AT	8553	Ball Bearing	62	10RWV	21685	Handle Shaft Cover Assembly
7	10JX8	10304	Drag Click Spring	35	10HHQ	20743	Washer	63	10E5X	20170	Washer
8	10PH4	12078	Screw	36	149NZ		Pinion Gear	64	14C7B		Handle Shank Assembly
9	10BXN	3455	Spool Washer	37	10D7P	12946	Friction Ring	65	10PXZ	17698	Bushing
10	103MX	16102	Spool Support	38	10LCS	17863	Screw	66	10328	17699	Handle Knob
11	1081A	18690	Rotor Nut	39	10D8Z	12945	Bail Trip Strike	67	104FH	19745	Washer
12	149P6		Rotor	40	10DC5	12947	Anti Reverse Cam	68	10K64	21823	Ball Bearing
13	10CT3	12938	Bail Spring Cover	41	10DCS	17630	Anti Reverse Cam Spring	69	10LFA	17700	Screw
14	103KS	4150	Screw	42	10FPW	16107	Anti Reverse Lever	70	10TNJ	17701	Handle Knob Seal
15	10C8H	8916	Click Spring	43	10SUK	21155	Screw	71	149NY		Collar
16	106ZC	17415	Click Pin	44	10E3K	20139	O Ring	72	149ZA		Line Roller Support
17	10FAZ	12936	Bail Trip Lever	45	10RSE	20156	Handle Screw Cap	73	10HE5	19997	Washer
18	105LS	9365	Bail Spring Guide A	46	14C7A		Body Assembly				
19	10SQ8	18693	Bail Spring	47	10SOV	18689	Main Shaft				
20	149NV		Bail Arm	48	10QWH	18706	Oscillating Guide				
21	103DA	20370	Screw	49	10QWJ	18705	Idle Gear				
22	10PMH	18681	Screw	50	10QWF	18704	Oscillating Gear				
23	149NX		Washer	51	104WG	12952	Oscillating Slider				
24	10KFD	6684	Spacer	52	10MGL	3936	Screw				
25	10JLF	9368	Line Roller	53	10SGA	18707	Rear Protector				
26	10PFH	10184	Bushing	54	107FA	12969	Ball Bearing				
27	14C79		Bail Assembly	55	142TH	22810	Drive Gear				