

WWT
WESTINTRENDS
WWT

DESIGNED IN CALIFORNIA



— OUTDOOR POLY ADIRONDACK 38" ROUND
COFFEE TABLE —

THANK YOU!

We appreciate you for choosing WestinTrends!

Thank you for letting WestinTrends continue to offer accessible luxury trends, inspired by everyone!

JOIN THE WESTINTRENDS COMMUNITY

Sign up here:

[***https://westintrends.com/welcome***](https://westintrends.com/welcome)



QUESTIONS OR COMMENTS?

If you have questions reach out to
[**cs@westintrends.com**](mailto:cs@westintrends.com)

FOLLOW, SHARE, & LEARN



PRODUCT REGISTRATION

[***https://westintrends.com/apps/product-registration***](https://westintrends.com/apps/product-registration)



! CARE & MAINTENANCE

Please keep this instruction for your future reference.

- Be careful when assembly, avoid hurting the top surface.
- Clean the table with lukewarm water, mild detergent & soft cloth.
- Firmly secure all bolts before use, do not use any part of this item as a step ladder.
- Reconfirm that all bolts, screws, and nuts are secure every 90 days.
- Do not use or store this item in the proximity of open flame or flammable/combustible chemicals.
- Be aware that some parts are heavy and have sharp edges.
- Do not overtighten screws.(Insert all screws before tighten screws.)
- Please do not exceed the weight limitations of this item.

TOOLS REQUIRED

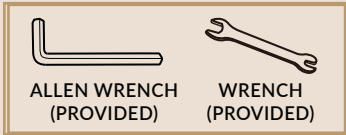


TABLE
330 LBS
CAPACITY



HARDWARE

1

SCREW
M6 x 75mm



8 PCS

2

BOLT
M6 x 80mm



8 PCS

3

M6 WASHER



8 PCS

4

M6 NUT

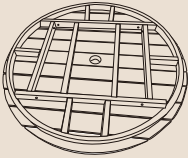


8 PCS

PARTS

A

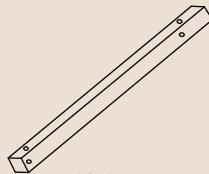
TABLE TOP
WITH APRON



1 PC

B

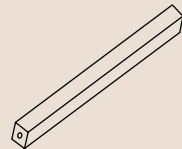
TABLE LEG



4 PCS

C

RAIL



4 PCS

D

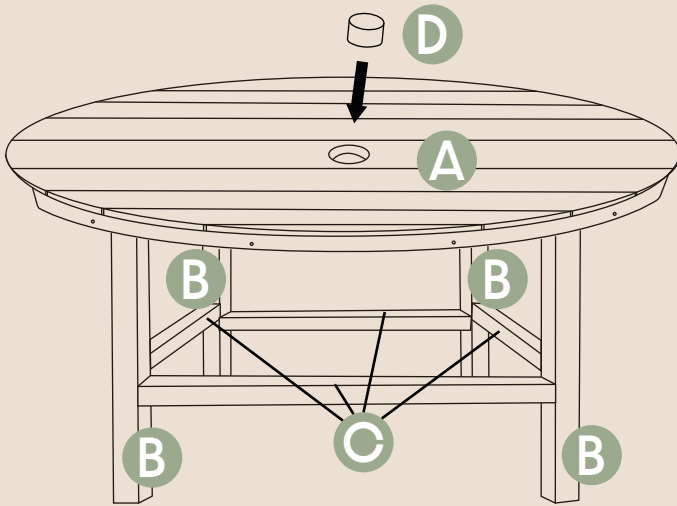
UMBRELLA
HOLE COVER



1 PC

PRODUCT ASSEMBLY - OVERALL VIEW

Look at the overall view of this table and learn the exact position of each part to be assembled.



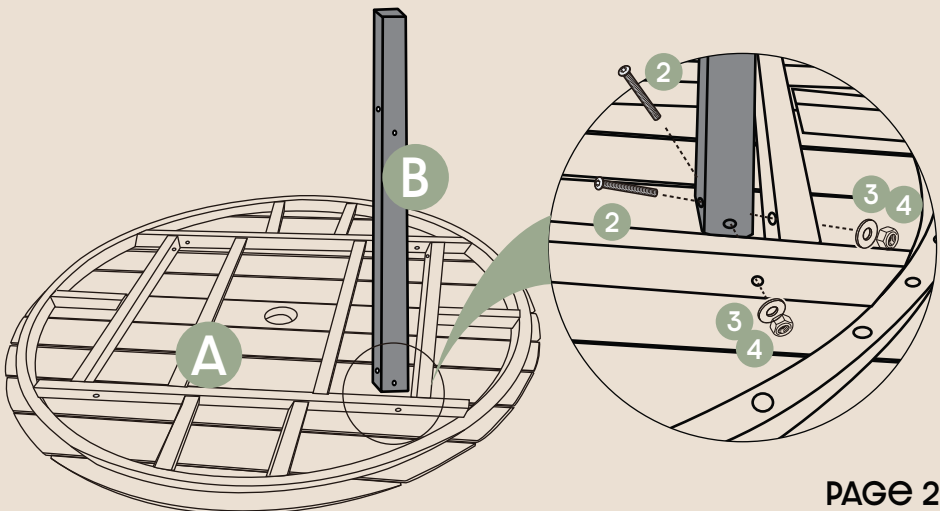
PRODUCT ASSEMBLY

1

Place **Part A Table Top** upside down on soft surface like carpet to avoid damage.
Place 1 pc of **Part B Table Leg** to apron of **Part A Table Top** as below.

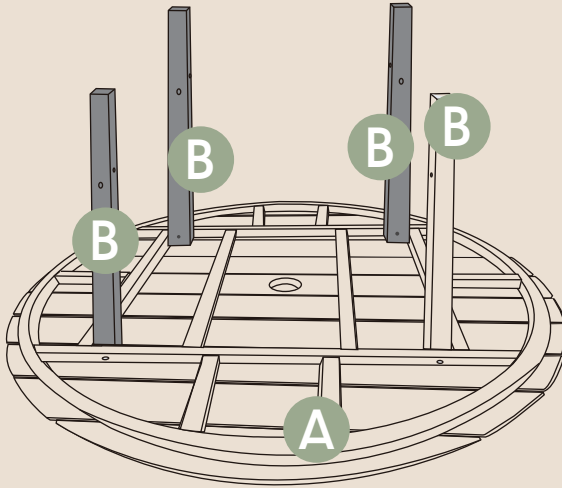
Attach this leg with 2 sets of **Hardware #2 Bolt, #3 Washer and #4 Nut**.

Pay attention to the different heights of base holes that meets the holes in the aprons.



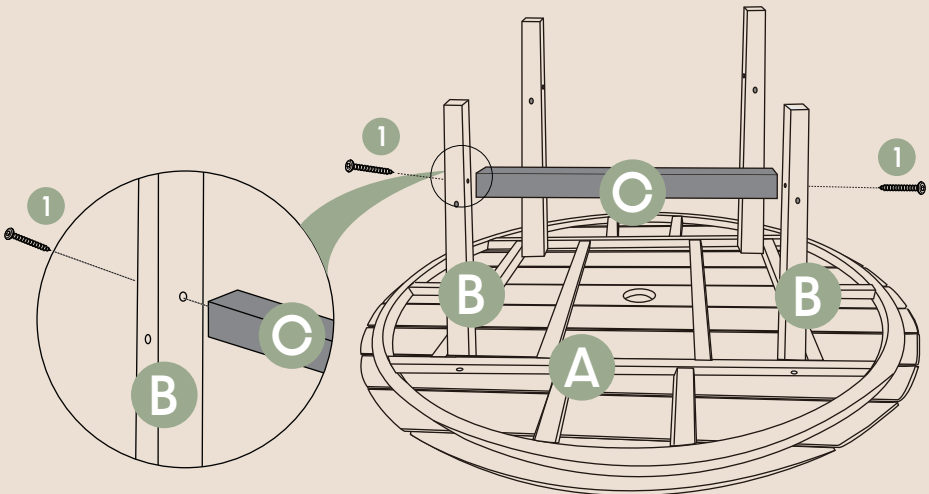
2

Do the same to assemble the other **Part B Table legs**.



3

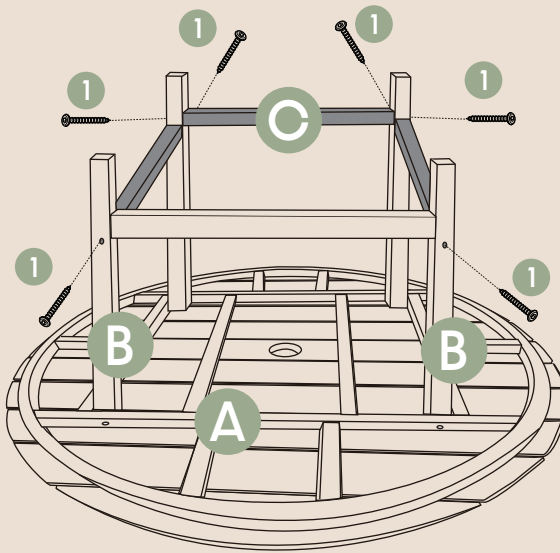
Attach **Part C Rail** between **Part B Table Legs** with 2 pcs of **Hardware #1 Screw**.



PRODUCT ASSEMBLY

4

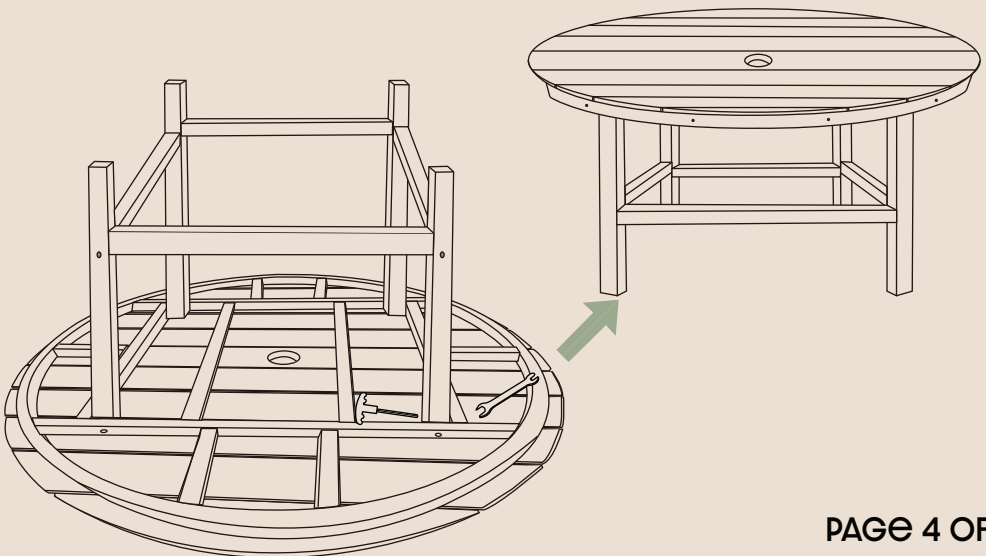
Do the same to attach the rest 3 pcs of **Part C Rails** to **Part B Table Legs** as below with 6 pcs of **Hardware #1 Screw**.



5

Tighten all the bolts and lock nuts as well as the screws again to ensure the steady of this table.

Remark: Please remove the umbrella hole cover when you insert the umbrella.



REGISTRATION & REFUND POLICY

<https://westintrends.com/apps/product-registration>



<https://westintrends.com/policies/refund-policy>



HAVING TROUBLE

- **Not sure how to assemble or missing pieces?**

Please contact our Customer Service Team for assistance at cs@westintrends.com

Have Order #, Part # or SKU ready to speed up customer service!

CLEANING TIPS

REGULAR CLEAN: Use a mixture of warm water and mild soap. Gently scrub the surface with a soft bristle brush to remove any dirt or stains.

QUICK CLEAN: You can simply wipe down the HDPE furniture with a damp cloth. The material's resilience makes it resistant to most spills and stains, ensuring a hassle-free maintenance routine.

Regular cleaning not only preserves the aesthetic appeal of your furniture but also helps extend its lifespan.

Pressure washer can be used for seriously deep-cleaning - **DO NOT exceed 1500 PSI** - this will remove any debris and dirt.