



RC-E30GA
30 Cup Capacity



RC-E50GA
50 Cup Capacity

Rice Cooker Instruction Manual

This manual contains important information regarding your Adcraft unit. Please read this manual thoroughly prior to equipment set-up, operation, and maintenance. Failure to comply with regular maintenance guidelines outlined in this manual may void the warranty.



IMPORTANT SAFEGUARDS

Please read all the instructions to familiarize yourself with all the parts and operations before use.



- **DO NOT** touch hot surfaces.
 - * High temperature will cause scalding.
 - * Hot water and steam can severely burn skin.
- **DO NOT** use machine with wet hands.
- This product is for **COMMERCIAL USE ONLY**.
- **DO NOT** use this unit for other than intended use.
- **DO NOT** operate unattended.
- Keep children and animals away from unit.
- **DO NOT** use the unit on or near combustibles.
- **DO NOT** use the unit to boil acid or alkaline foodstuff.
- **DO NOT** store the unit near corrosive gases or damp areas.
- **DO NOT** heat pan on any stove.
- **DO NOT** replace pan with any other container.
- **DO NOT** incline or tilt the pan. Pan must be flat against and in full contact with heating plate.
- **ALWAYS** use on a firm, dry and level surface, at least 12" from walls or any other obstruction.
- **KEEP** heating plate clean and clear of food or debris.
- **DO NOT** immerse unit, cord or plug in liquid at any time.
- Keep cords, plugs, and other electrical components away from liquids to protect against electrical shock.
- **DO NOT** operate the unit outdoors.
- **DO NOT** operate the unit after it has malfunctioned or been damaged in any way.
- **DO NOT** use unit with a damaged cord or plug, in the event the appliance malfunctions, or has been damaged in any manner.
- **UNPLUG** unit before removing pan from cooker.
 - * **DO NOT** remove pan before unplugging unit, for safety.
- **UNPLUG** the unit when not in use and before cleaning.
- **PROPER GROUNDING REQUIRED.** Plug only into a 3-hole grounded electrical outlet.
- Check that your outlet and voltage are correct for the plug type before operating the unit.
- Any incorrect installation, alterations, adjustments and/or improper maintenance can lead to property loss and injury. All repairs should be done by authorized professionals only.
- The ground wire of unit is green or yellow and green.

SPECIFICATIONS		
MODEL	RC-E30GA	RC-E50GA
DIMENSIONS (INCHES)	18.35" W x 16.02"D x 14.1" H	22.13"W x 19.25"D x 15.63" H
CAPACITY	30 cups (13L)	50 cups (23L)
UNIT WEIGHT (LBS.)	15.04 lbs.	25.9 lbs.
WATTAGE	1650W	2950W
AMPS	14.35A	12.9A
VOLTAGE / HERTZ	110-120V~60Hz	220-240V~60Hz
PLUG	NEMA 5-15P	NEMA 6-20P
CORD LENGTH (IN.)	57.9"	57.9"
INCLUDED COMPONENTS	Measuring Cup, Spoon, Silicone Mat	Measuring Cup, Spoon, Silicone Mat



TO USE

Clean pot with warm water before first use.

1. First clean and strain rice, then place in rice cooker pot.
2. Add water to pot containing rice referencing a ratio of 1-1/2 cups of water to 1 cup of rice.
 - * The marks on the left of the pan indicate liters.
 - * The marks on the right of the pan indicate cups.
 - * Please note rice absorbs water differently, depending on the type of rice used.
3. Place rice in the pan evenly.
4. Place the pan inside the cooker and move it around lightly until it rests evenly on the heating plate.
5. Insert the plug into the electrical socket.
 - * The 'Warming' light will illuminate orange indicating the Heat Preservation Unit is working; however, the rice will not start cooking yet.
6. Press the black power button down to set the cooker in operation, the red 'Cooking' light will illuminate.
 - * Once the rice is thoroughly boiled, the button will automatically release, the red 'Cooking' light will turn off, and the orange Warming light will turn on again.
7. Keep the lid on for 10 more minutes and the rice will cook to completion.
8. The temperature of the rice in the cooker will automatically be kept within the range of 140°F- 176°F (60° - 80°C).
 - * If heat preservation is not necessary, turn unit off and unplug.
 - * Preheating is not necessary.

CLEANING

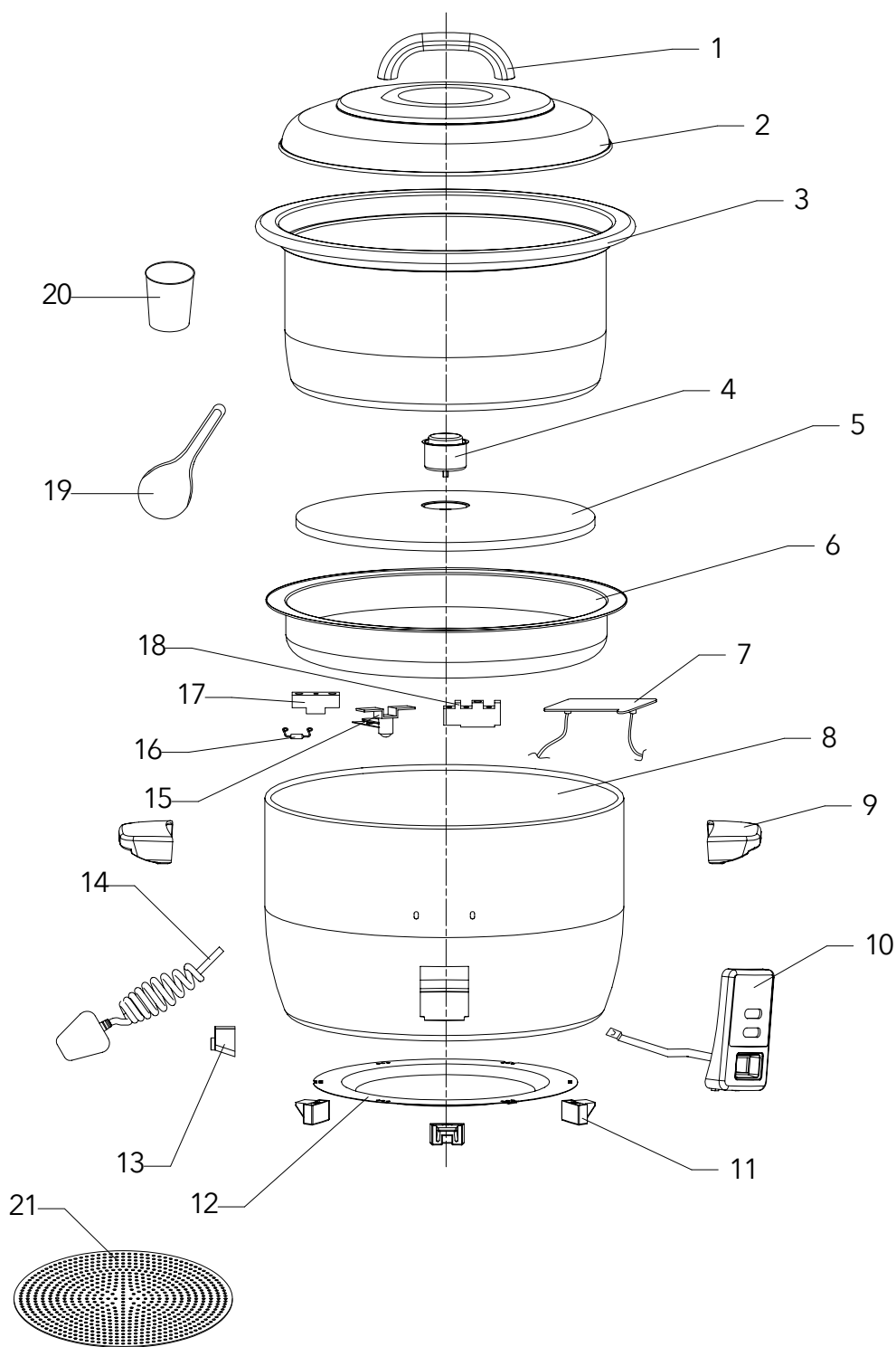
- NOTE: To maintain cleanliness and increase service life, keep pan and heating plate clean.
- Avoid buildup of rice grains or debris from collecting between the bottom of the pan and the surface of the heating plate.
- Clean cooker with a damp cloth.
- Clean pan with water carefully, to avoid denting.

TROUBLESHOOTING

- Before requesting any service on your unit, please check the following points.
- Please note that this guide serves only as a reference for solutions to common problems.

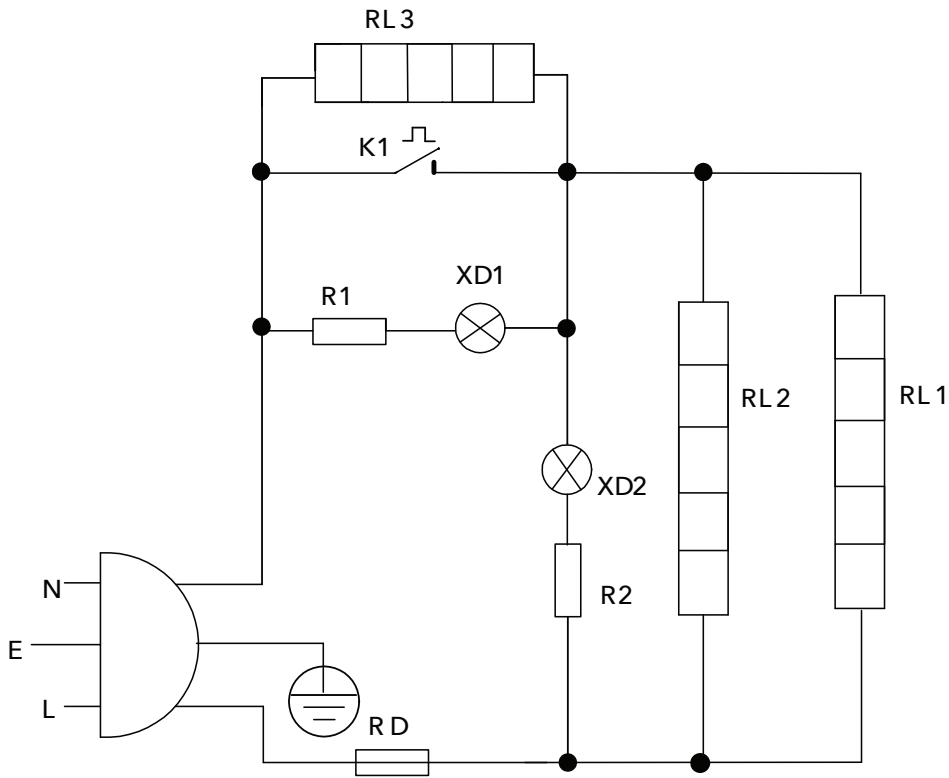
ISSUE		POSSIBLE CAUSE	SOLUTION
The light is off.	The Heating plate is not hot.	The cooker is not connected to power supply.	Check the switch, outlet fuse, cord and connect it correctly.
	The Heating Plate is hot.	1. The lights or resistance are loose. 2. The lights or resistance is damaged.	1. Connect it. 2. Replace it.
The rice is half-cooked or cooking time is too long.		The Pan isn't contacting with the Heating Plate properly. 1. The Pan is warped. 2. The Heating Plate is deformed. 3. The Pan is slanting to one side. 4. Foreign matter left between the Pan and the Heating Plate is affecting performance.	1. Repair the Pan until there is contact with the Heating Plate. 2. When it is a little deformed, polish the Heating Plate with fine sand paper. 3. Turn the Pan around slightly until it fits the Heating Plate properly. 4. Remove foreign matter.
Does not warm automatically.		The thermostat is malfunctioning.	Replace it.

PRODUCT DIAGRAM - RC-E30GA & RC-E50GA



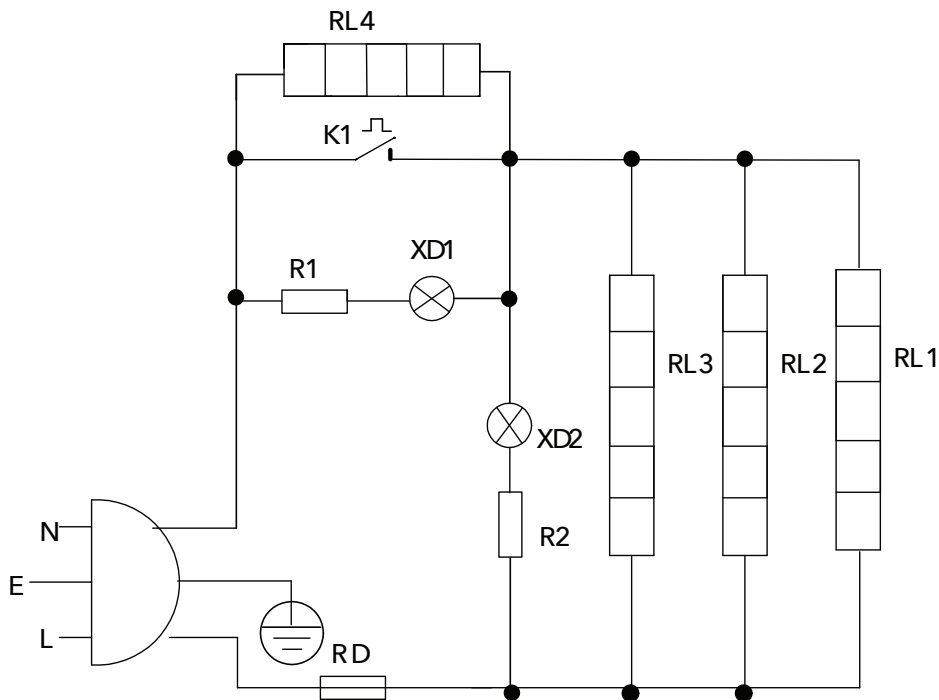
NO.	DESCRIPTION
1	Lid Handle
2	Lid
3	Inner Bowl
4	Heat Sensor
5	Heating Plate
6	Sealed Plate
7	Warm Heat Board
8	Body
9	Side Handle
10	Control Panel
11	Foot
12	Bottom Cover
13	Power Cord Clip
14	Power Cord
15	Electric Switch
16	Fuse
17	Ceramic Connector (2 Points)
18	Ceramic Connector (3 Points)
19	Rice Paddle
20	Measuring Cup
21	Silicone Rice Mat

CIRCUIT DIAGRAM - RC-E30GA



NO.	DESCRIPTION
K1	Power
RD	Thermal Cutoff
RL1, RL2	Electrical Warning
RL3	Hot Plate
R1, R2	Resistance
XD1	Keep Warming Indicator
XD2	Heating Indicator

CIRCUIT DIAGRAM - RC-E50GA



NO.	DESCRIPTION
K1	Power
RD	Thermal Cutoff
RL1, RL2, RL3	Electrical Warning
RL4	Hot Plate
R1, R2	Resistance
XD1	Keep Warming Indicator
XD2	Heating Indicator



1-YEAR LIMITED WARRANTY

Admiral Craft Equipment Corp. (the "Company") warrants this product (the "Product") will be free from failures in material and workmanship for one (1) year from the date of original purchase with proof of purchase, provided that the Product is operated and maintained in conformity with the Owner's Manual. This Limited Warranty is non-transferable. During this period, your exclusive remedy is repair or replacement without charge of the Product or any component found to be defective at the Company's discretion. If the Product or any component is no longer available, the Company will replace it with a similar one of equal or greater value. This Limited Warranty is void if the Product is used with incorrect utility supplies including, but not limited to improper voltage, phase, gas pressure, and/or water pressure. **THIS WARRANTY IS IN LIEU OF ALL IMPLIED WARRANTIES, INCLUDING WARRANTIES OF MERCHANTABILITY, FITNESS FOR A PARTICULAR PURPOSE, PERFORMANCE, OR OTHERWISE, WHICH ARE HEREBY EXCLUDED. IN NO EVENT SHALL THE COMPANY BE LIABLE FOR ANY DAMAGES, WHETHER DIRECT, INDIRECT, INCIDENTAL, FORESEEABLE, CONSEQUENTIAL, OR SPECIAL ARISING OUT OF OR IN CONNECTION WITH THIS PRODUCT INCLUDING DAMAGES ARISING FOR FOOD OR BEVERAGE SPOILAGE CLAIMS.**

You may have other legal rights depending upon where you live. Some States or Provinces do not allow limitations on warranties so the foregoing may not apply to you.

WARRANTY EXCLUSIONS

IMPROPER ELECTRICAL CONNECTIONS:

The Company is not responsible for the repair or replacement of failed or damaged components resulting from electrical power failure, the use of extension cords, low voltage, or voltage spikes to the Product.

IMPROPER USAGE:

This Limited Warranty does not cover failure or other damages to the Product resulting from (i) improper usage or installation or failure to clean and/or maintain the Product as set forth in the Owner's Manual; or (ii) accident, misuse, abuse, negligence, or modification or alteration of the Product.

CONSUMABLES:

This Limited Warranty does not include consumables or wear-and-tear items such as legs, feet, plastic component parts, splash shields, filters, gaskets, and non-stick cooking surfaces.

ADJUSTMENTS & CALIBRATIONS:

Leveling, tightening of fasteners, or utility connections normally associated with the original installation are the responsibility of the dealer, installer, or the end user and not the responsibility of the Company and will not be considered warranty issues.

If you think the Product has failed, or requires service, within its warranty period, please contact the Company's Customer Care Department through our website at: www.admiralcraft.com "Service" --> "Technical Support Request". A receipt proving the original purchase date will be required for all warranty claims, handwritten receipts are not accepted. You may also be required to return the Product for inspection and evaluation. Return shipping costs are not refundable. The Company is not responsible for returns lost in transit.

This Limited Warranty is Valid only in the USA and Canada.