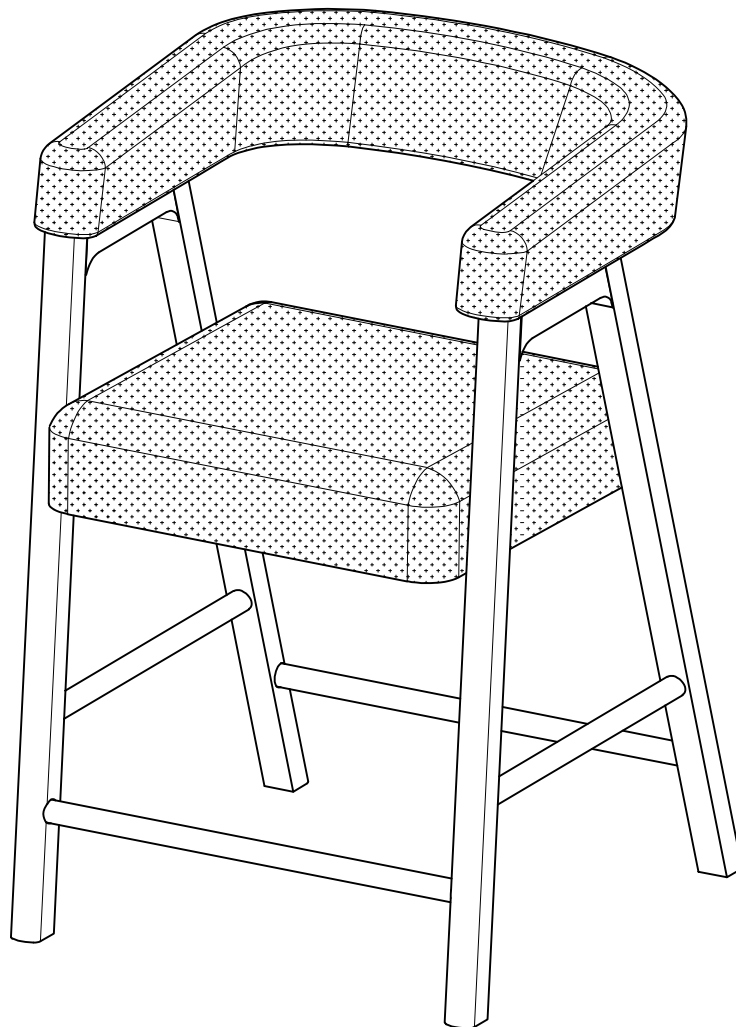


**WALKER EDISON**  
TM

# Ezra Mixed Material Counter Stool

SKU# WEEZR130S2



**For Residential Use Only**

Please visit our website for the most current instructions, assembly tips, report damage, or request parts. [www.walker-edison.com](http://www.walker-edison.com)



# Time to get started

Set up a clean and soft workplace to get started and avoid damage during the assembly. It also helps to double-check you've got all the pieces and parts before diving in to assembly.

---

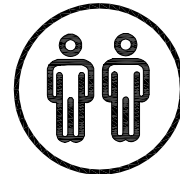
## Estimated time for assembly



---

## People recommended for assembly

Make it a team effort! Grab a friend for quicker, easier assembly.

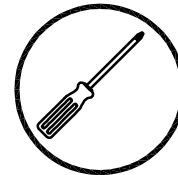


2 People Build

---

## Tools Needed

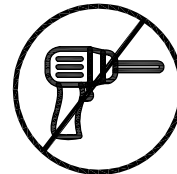
Grab a Phillips head screwdriver to conquer this assembly



---

## Use power tools with caution

You can cause cracking or damage to the material and easily strip the hardware. If you choose to use a power tool, your product will no longer be covered under Walker Edison' warranty.



---

## Glue is provided to secure wood dowels in place

When inserting dowels, locate the appropriate hole, place a small amount of glue in the hole, and then insert the dowel. Wipe away excess glue immediately.

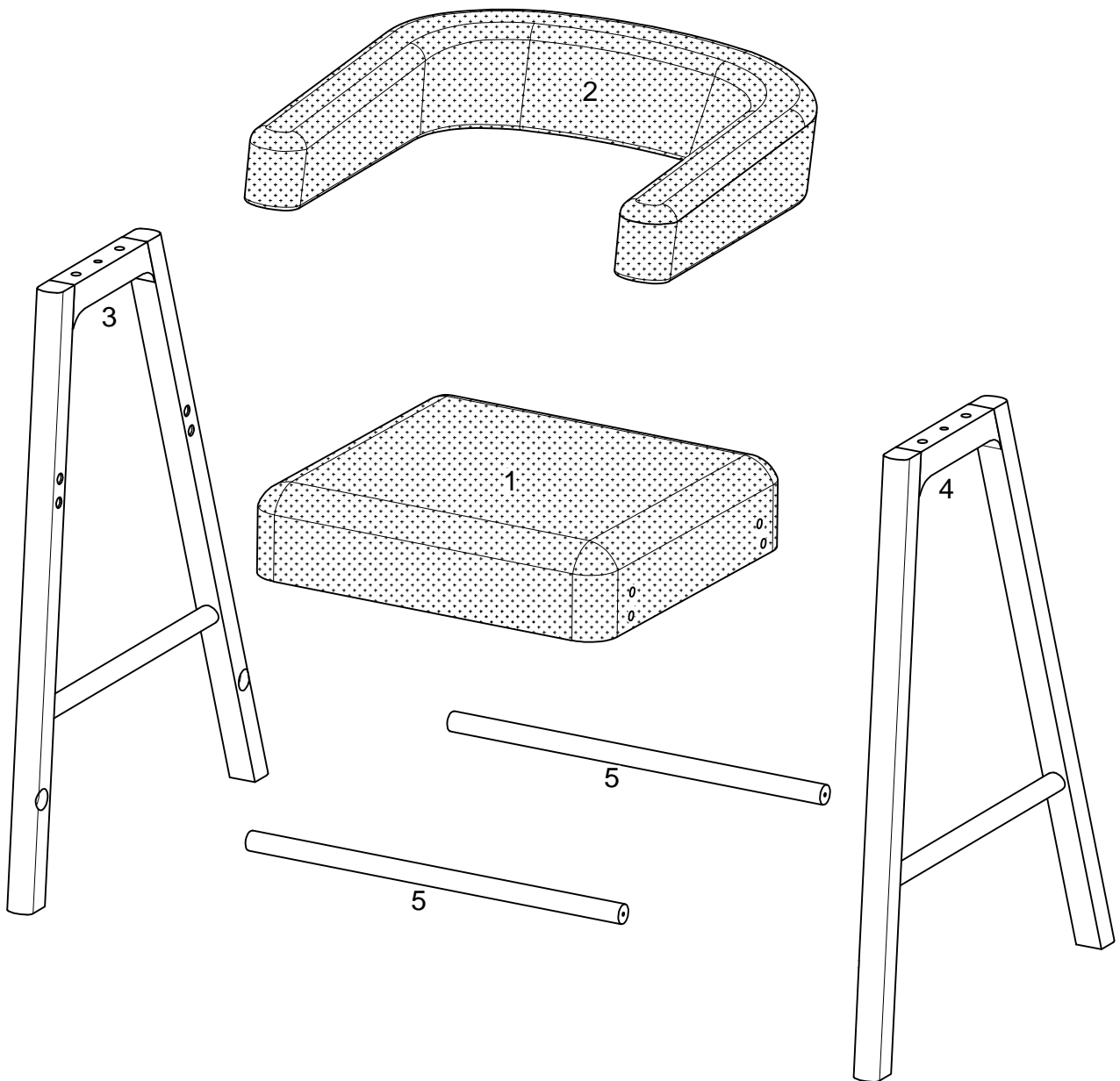


Ezra


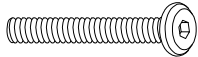

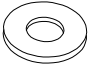




**Scan to get assembly tips and help!**

# WE Parts List

Part Number	Description	Quantity
1	Stool Seat	1
2	Stool Seat Back	1
3	Left Leg Frame	1
4	Right Leg Frame	1
5	Support Rail	2



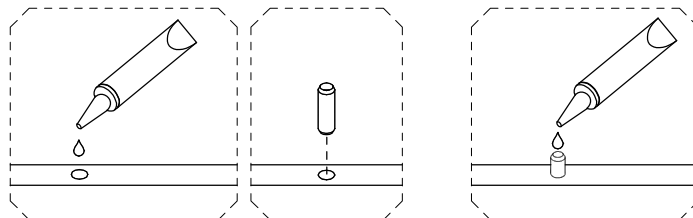
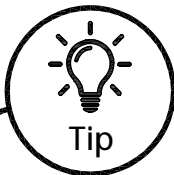
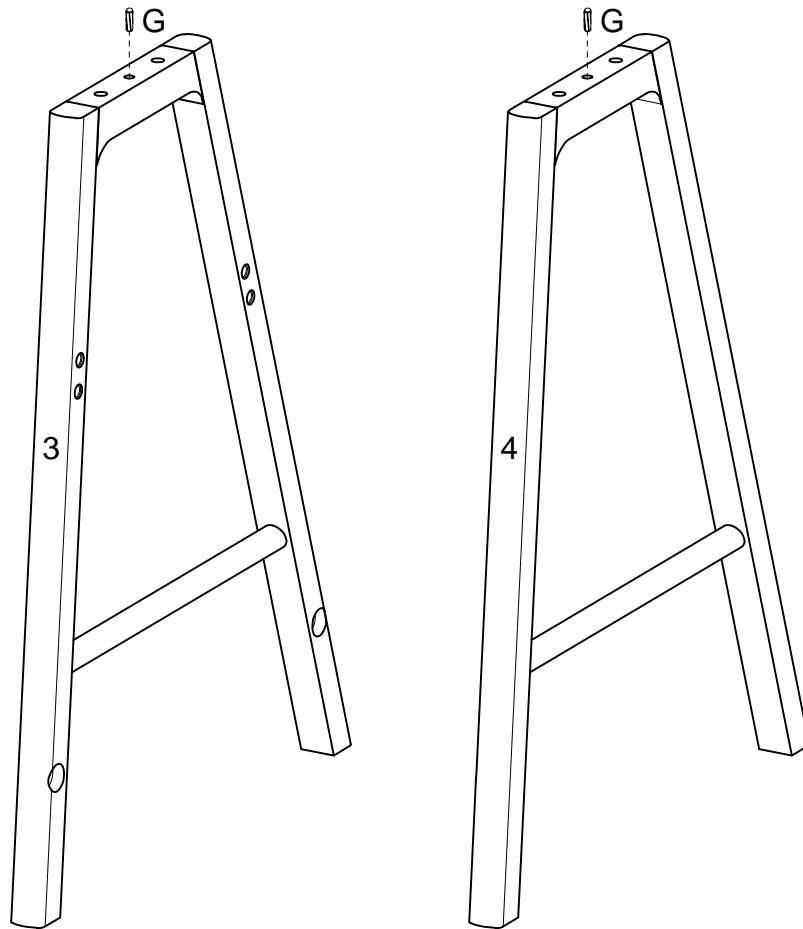
# WE Hardware List

Part	Size	Name	Quantity
A	 $\varnothing 5/16" \times 45\text{mm}$	Bolt	8
B	 $\varnothing 5/16" \times 60\text{mm}$	Bolt	4
C	 $\varnothing 5/16"$	Lock Washer	12
D	 $\varnothing 5/16" \times \varnothing 22\text{mm}$	Washer	12
E	 M5	Hex key	1
F	 $\varnothing 4 \times 38\text{mm}$	Screw	4
G	 $\varnothing 10 \times 30\text{mm}$	Wooden dowel	2
H		Glue tube	1

*The hardware quantities listed above are required for proper assembly.  
Extra hardware pieces may be included.*

# Step 1

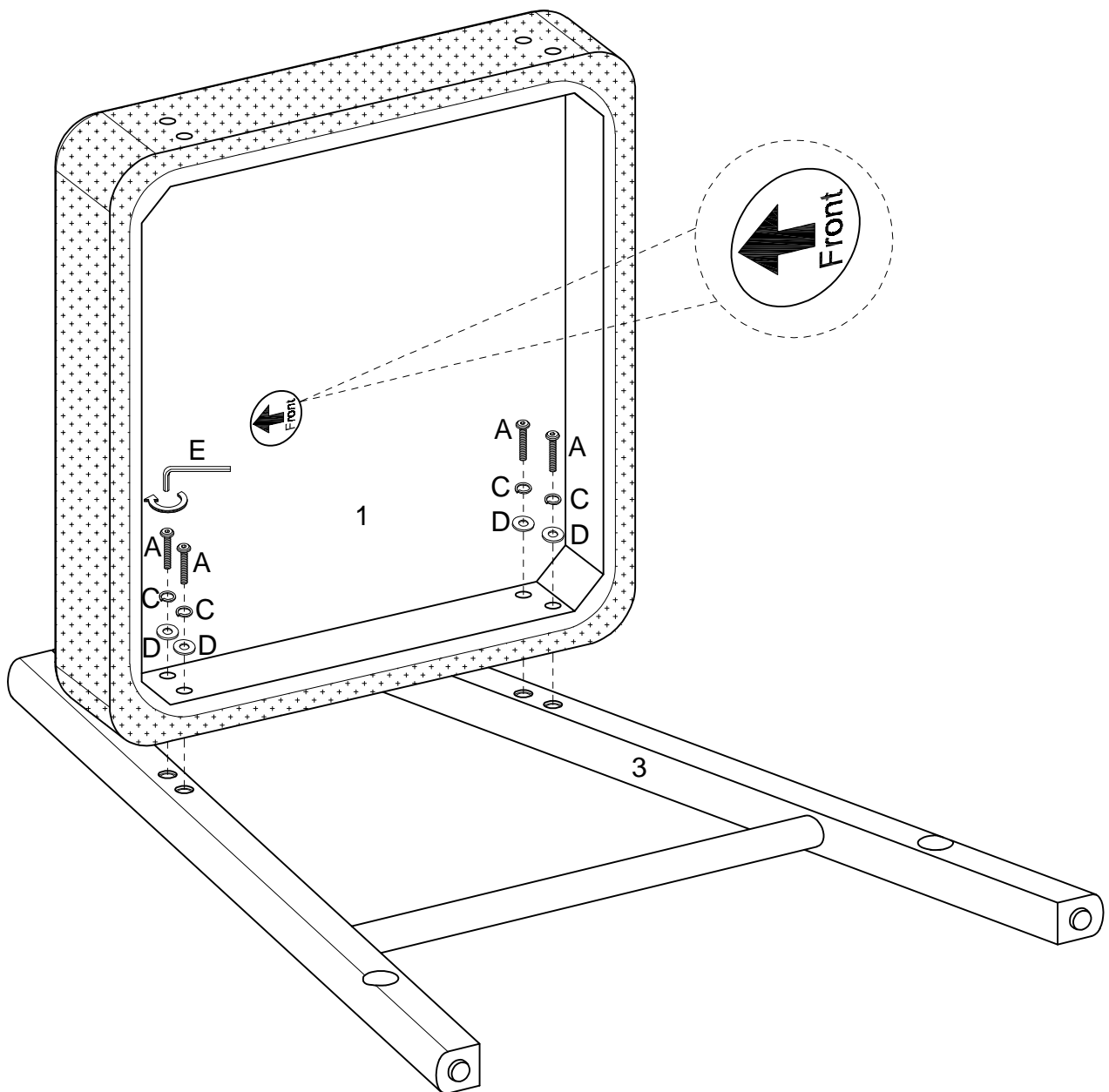
Let's get started! Using the provided glue, secure the Wooden dowels (G) into both the Left Leg Frame (3) and the Right Leg Frame (4).



- 1: The provided glue is to secure wood dowels in place. When first inserting dowels, locate the appropriate hole for the dowel, place a small amount of glue in the hole and insert the dowel. Wipe away excess glue immediately.
- 2: In future assembly steps when dowels are necessary to attach assembly parts together, place a small amount of glue on the end of the dowel before attaching parts together. Wipe away excess glue immediately.

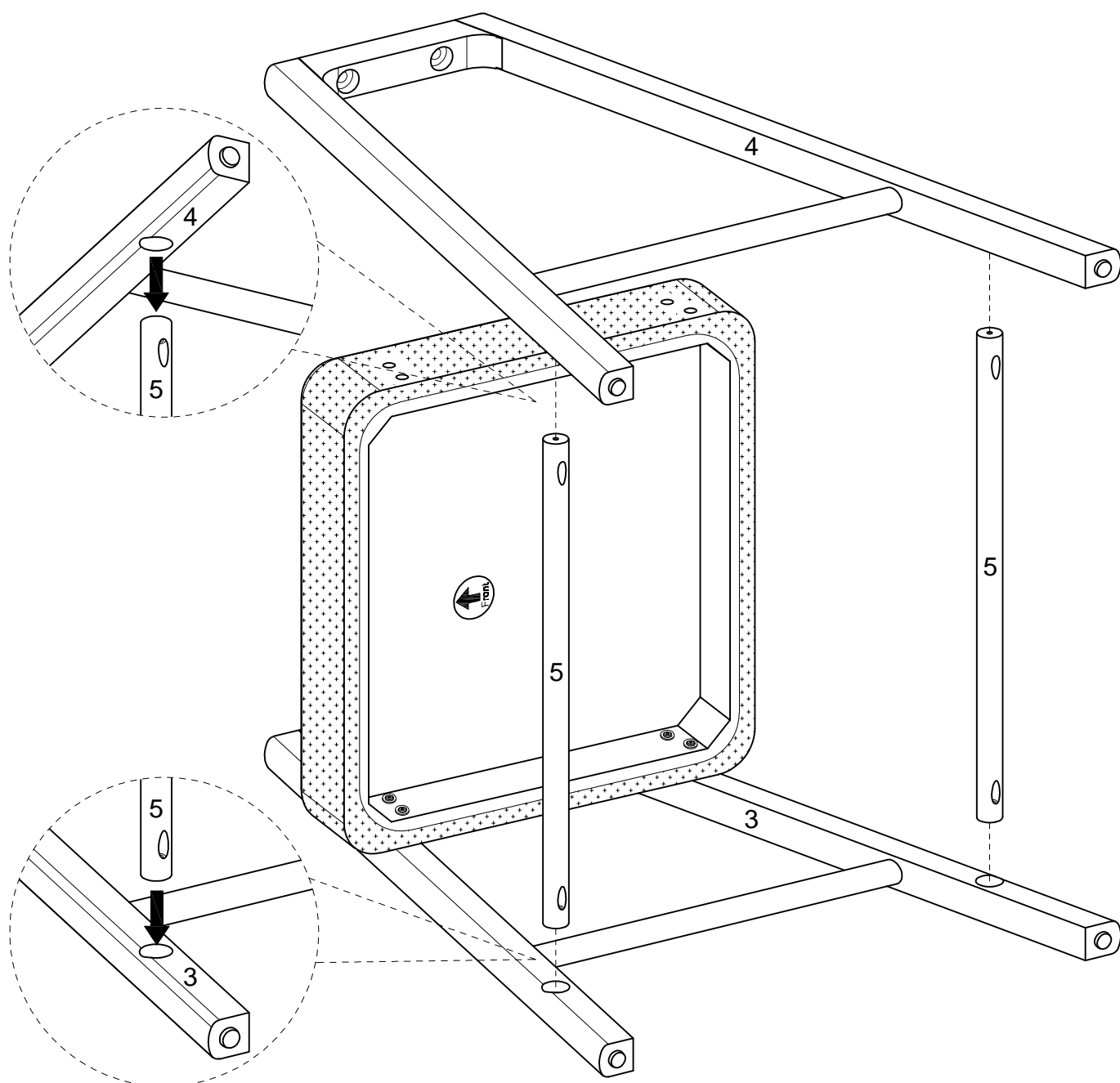
# Step 2

Lay the Left Leg Frame (3) down. Secure the Stool Seat (1) to the Left Leg Frame (3) using the Bolt (A), Lock washer (C), and Washer (D). Tighten with the Hex key (E).



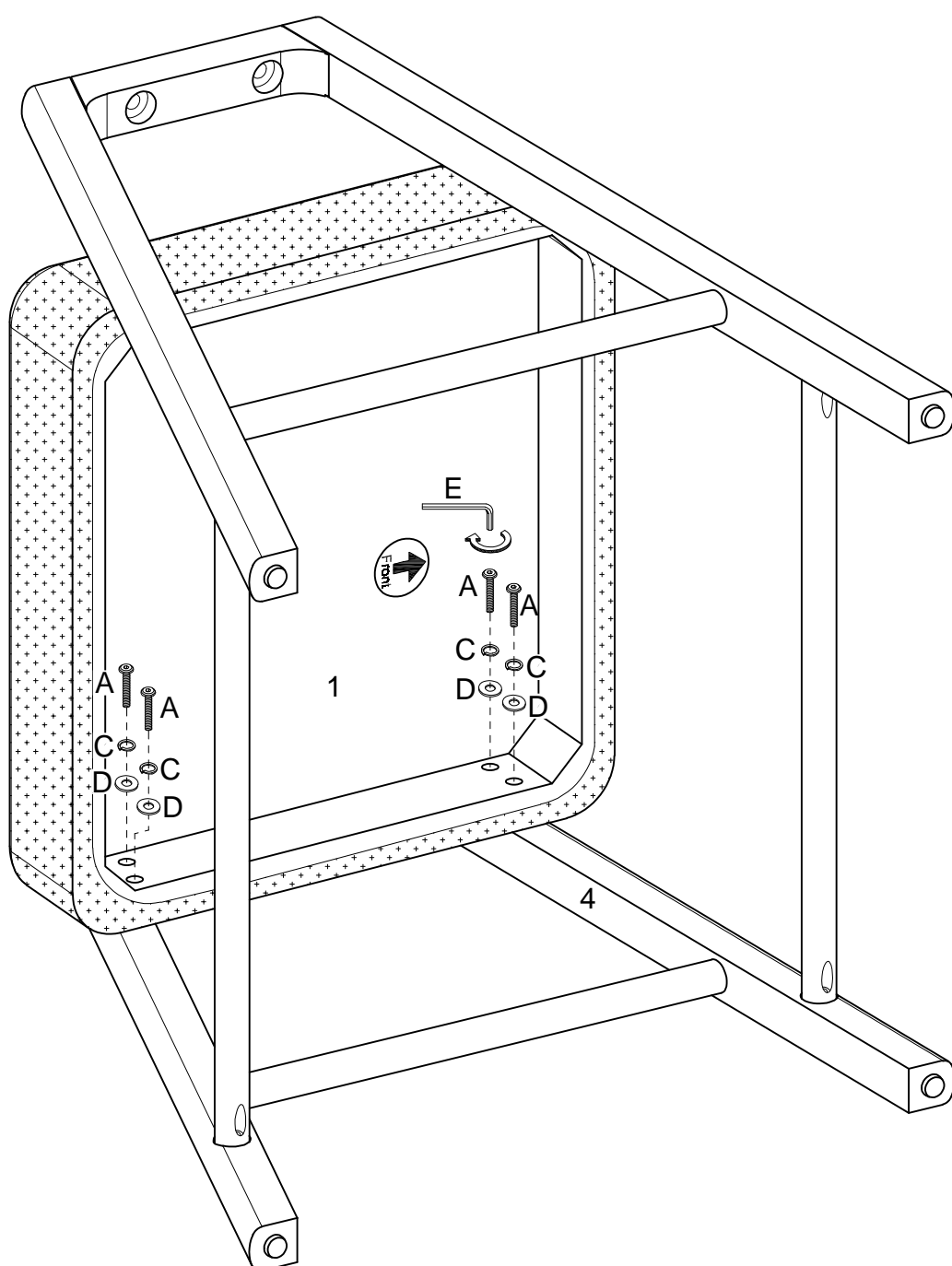
# Step 3

Insert the Support rails (5) into the holes in the Left Leg Frame (3) and the Right Leg Frame (4).



# Step 4

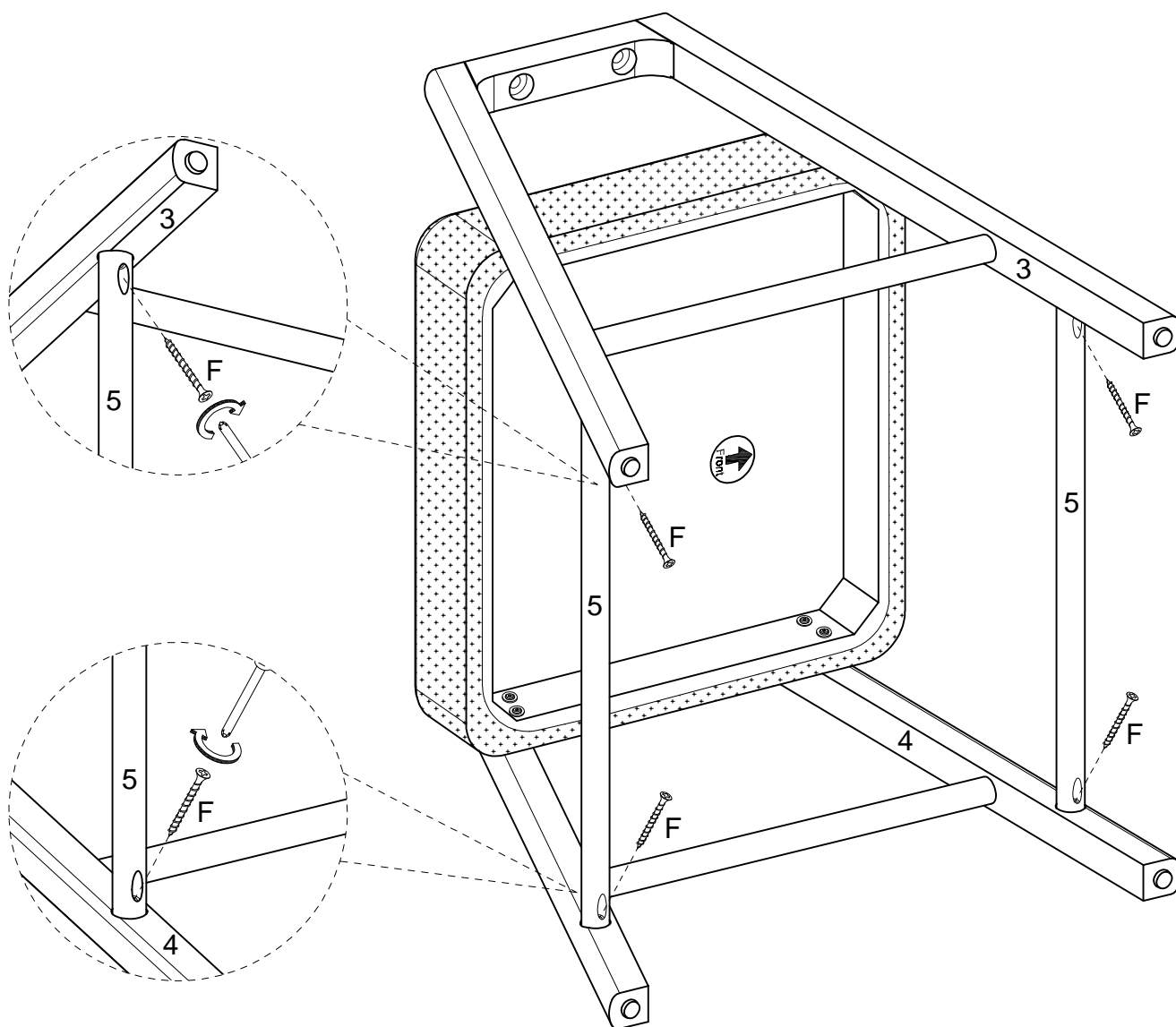
Secure the Stool Seat (1) to the Right Leg Frame (4) using the Bolt (A), Lock washer (C), and Washer (D). Tighten with the Hex key (E).





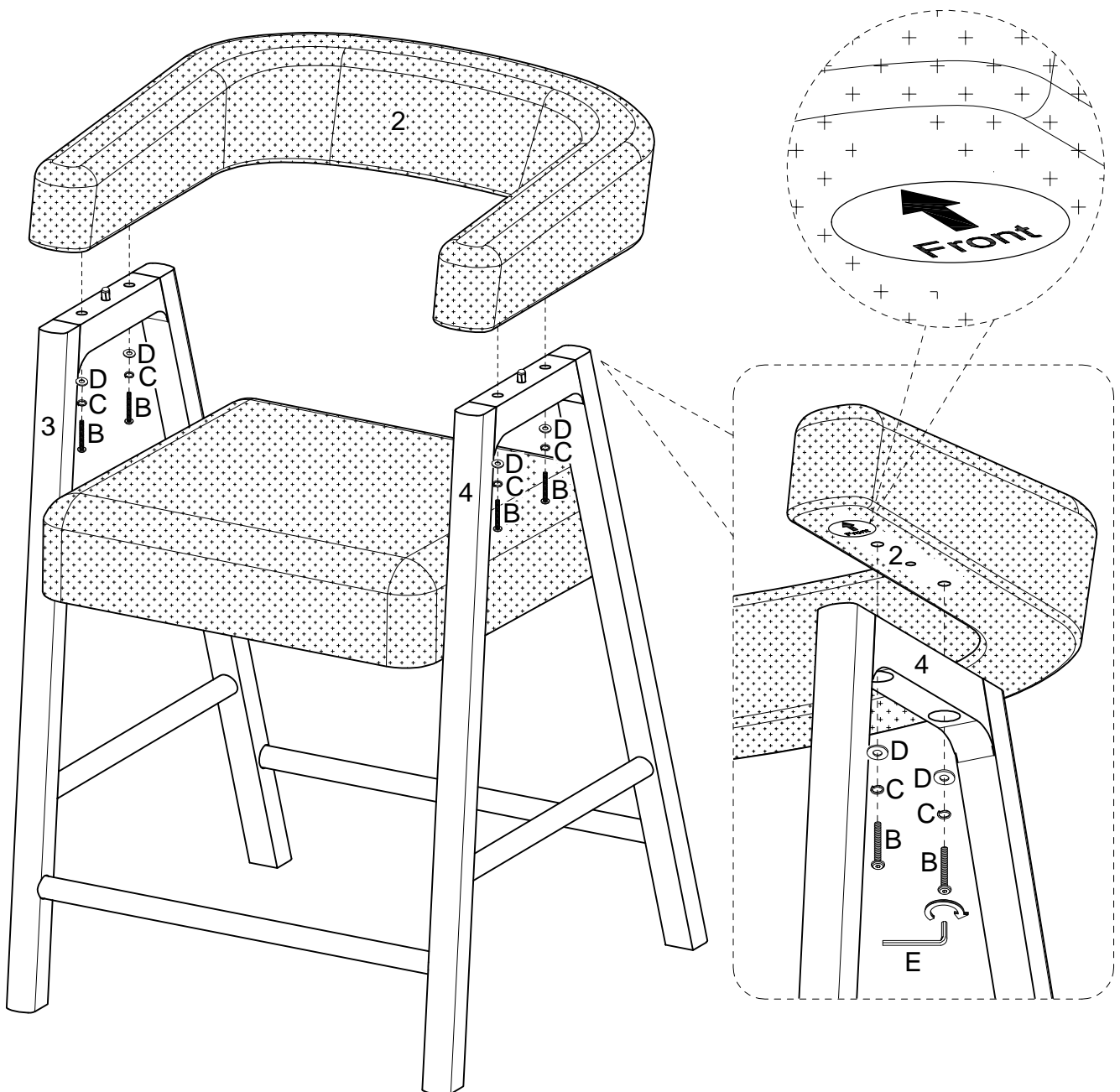
# Step 5

Secure the Support Rails (5) to each Leg Frame (3) and (4) using the (F) Screw. Tighten with a screwdriver!



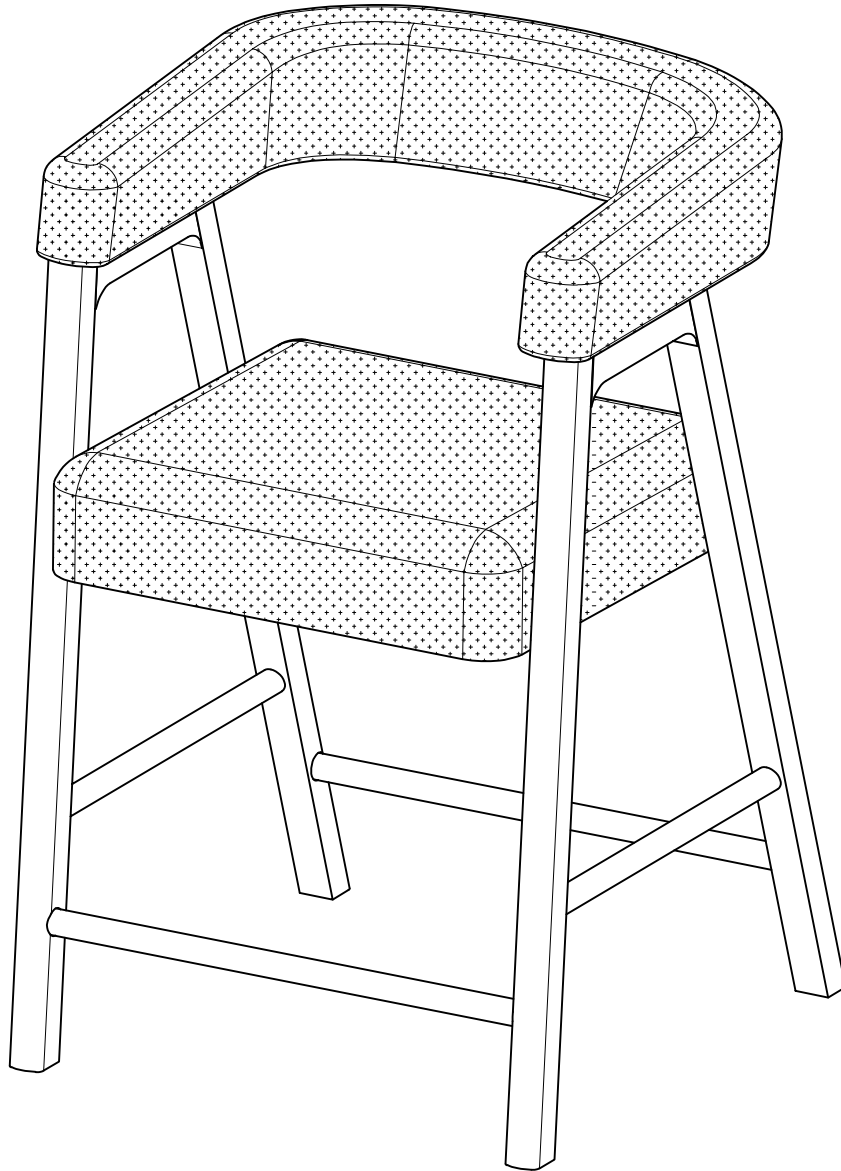
# Step 6

You're in the final stretch! Attach the Stool Seat Back (2) to the chair using the Washer (D), Lock washer (C), and Bolt (B). Tighten with the Hex key (E).



# Final Assembly

You did it! Enjoy your new counter stool!



**Congratulations on your new piece of furniture!**  
We would love to hear about it and see it.  
Please leave us a review or post a picture with  
**#mywalkerredisonhome**

# Assembling furniture can be tricky sometimes.

Our customer service team, located in Utah, is here for product information, help assembling a product, or for any other customer support issue

Call us at **801-433-3008**

Email us at [service@walkeredison.com](mailto:service@walkeredison.com)

Visit our Customer Service website at  
[walkeredison.com/pages/customer-service](https://walkeredison.com/pages/customer-service)

We are available to help Monday -Thursday 8am-5pm, Friday  
8am-3pm MST

For details on Assembly Videos, Assembly Instructions,  
Replacement Parts, and Customer service,  
**SCAN HERE**

