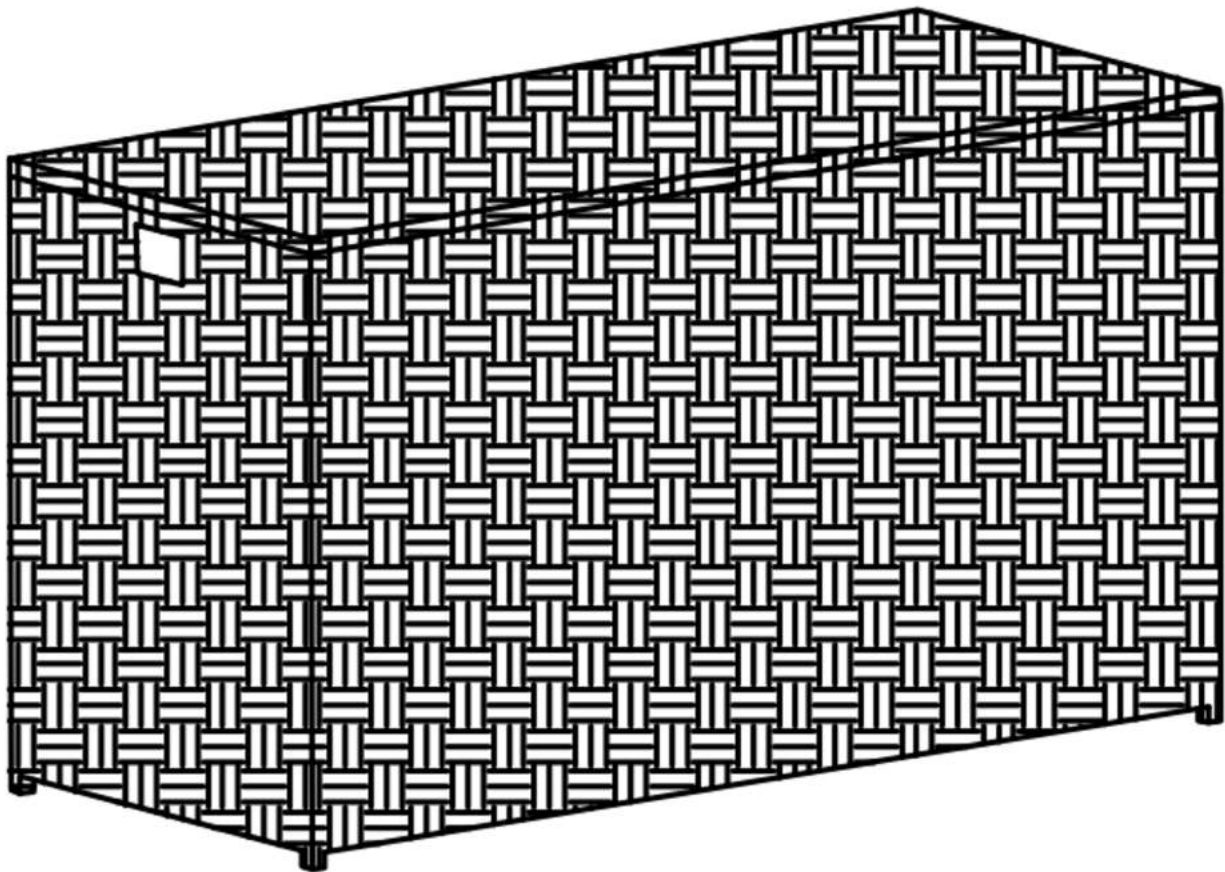
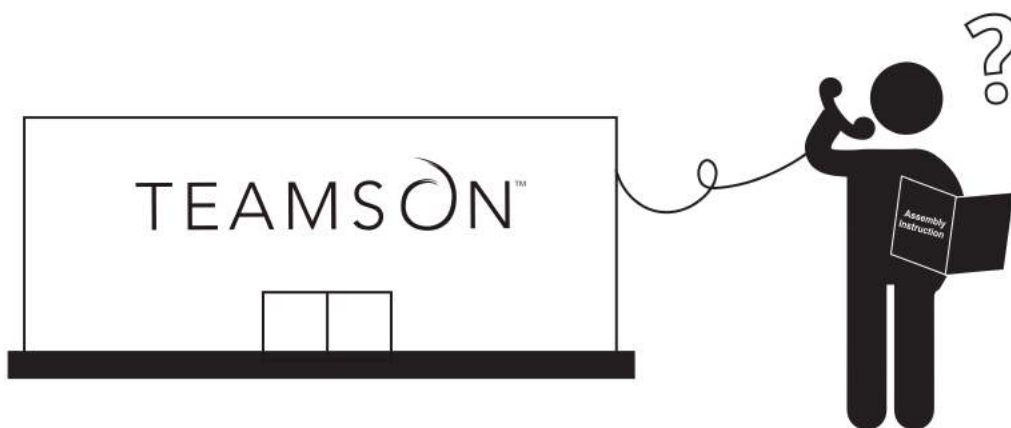
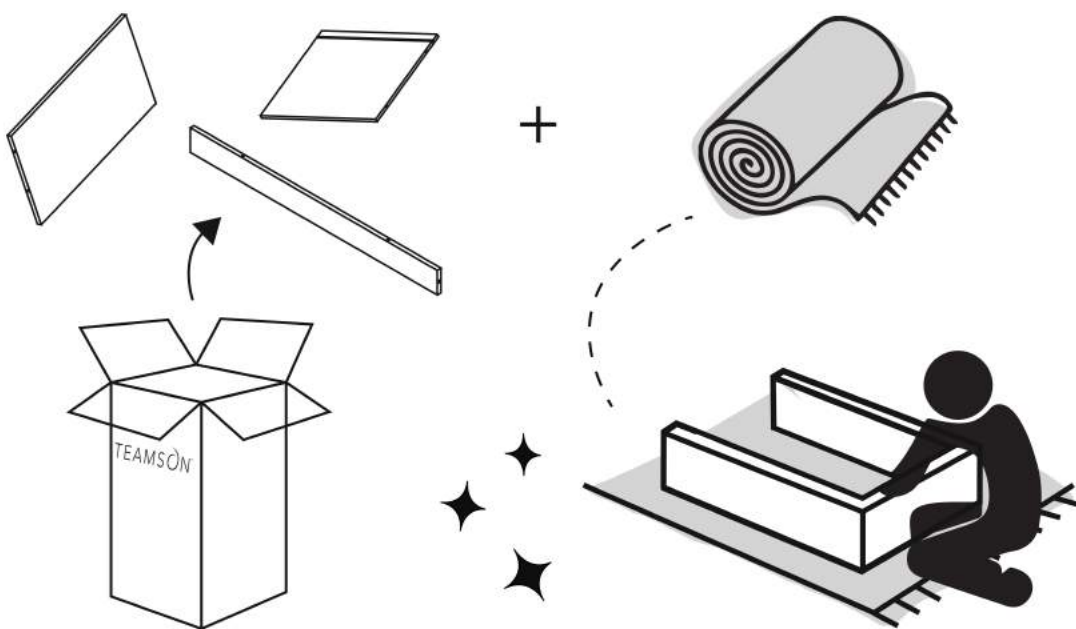
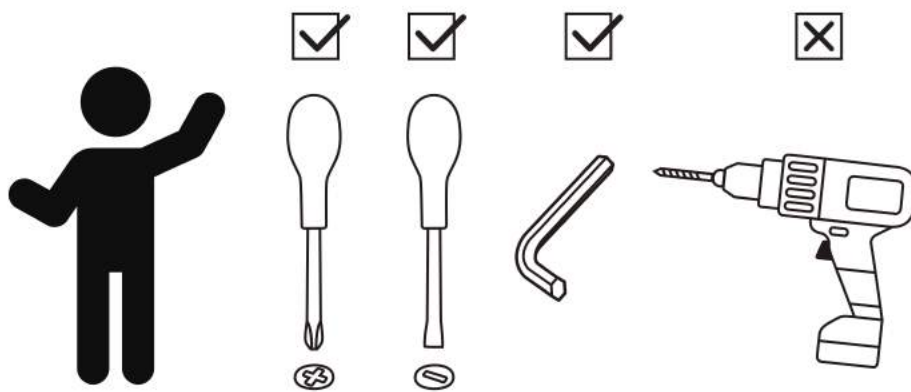


Peaktop
154 Gallon Patio Storage Box
PT-OF0010 & PT-OF0010G

TIME SAVER!
3D Interactive Instruction





** Got questions? Please have your product code (on the first page of this instruction, e.g. TD-12345A) and the order number ready, give us a call or email us through our customer care support! We are always ready to assist you!

TEAMSON HOME



Warranty sign up

www.teamsonhome.com

Serving you well gives us great joy!

USA **+1(800)935-3959**

Mon - Fri 10:00am ~ 2:00pm EST

✉ support@teamson.com

EU **+44(0)1952-916-050**

Mon - Thu 9:00am ~ 5:00pm GMT

Friday 9:00am ~ 4:00pm GMT

✉ support@teamson.co.uk

ASIA . . . 深圳办公室:

+86(0755)8885-3558.分机号108

Mon - Sat 9:00am ~ 5:00pm GMT+8

✉ sales_ec@teamson.com

台北办公室:

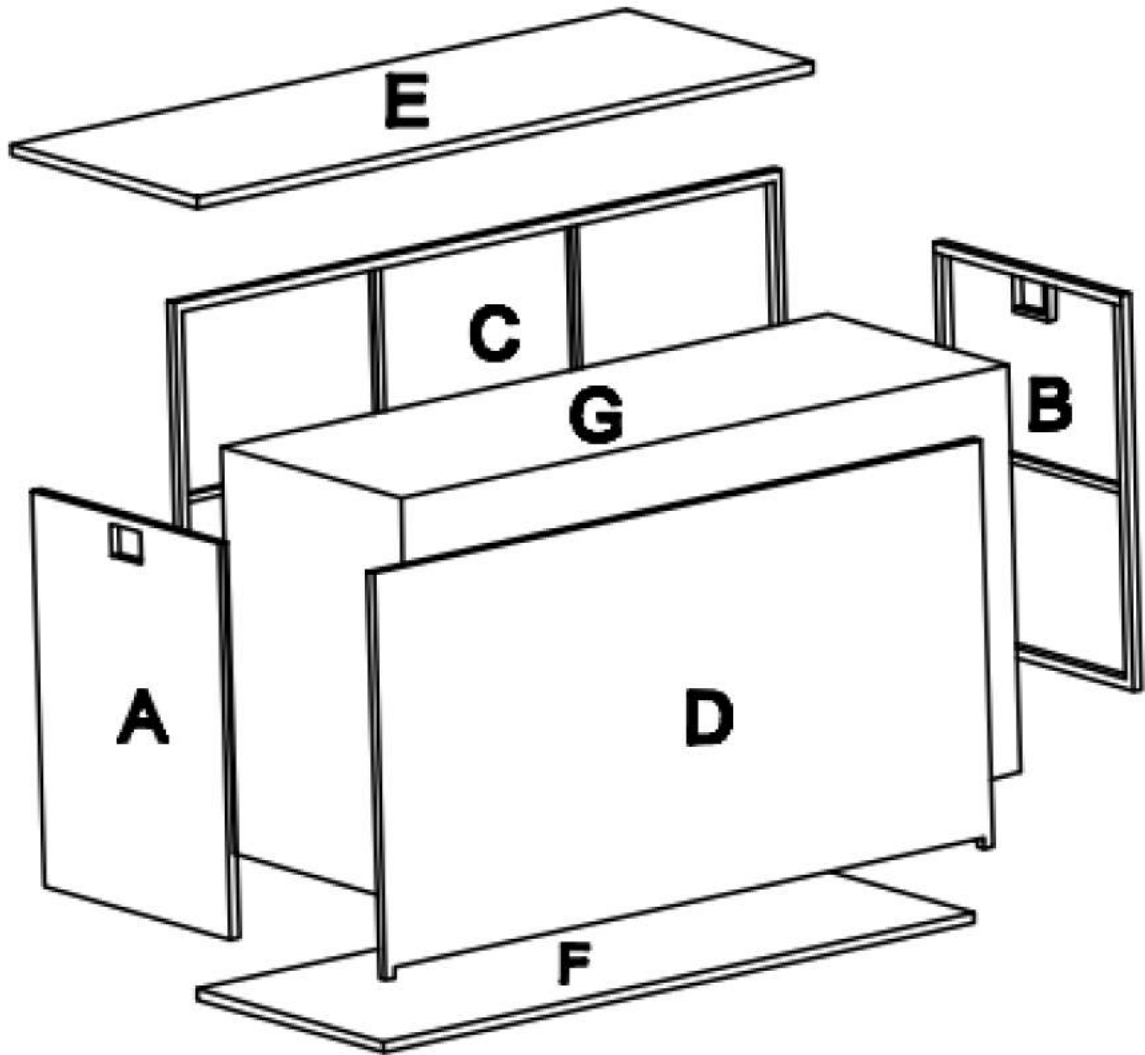
+886(2)2556-6268

Mon - Fri 9:00am ~ 5:00pm GMT+8

✉ sales_ec@teamson.com

Thank you for choosing Teamson Home

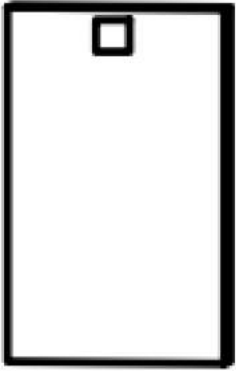
Exploded Drawing



← **Questions?**
Scan Here

Product Parts

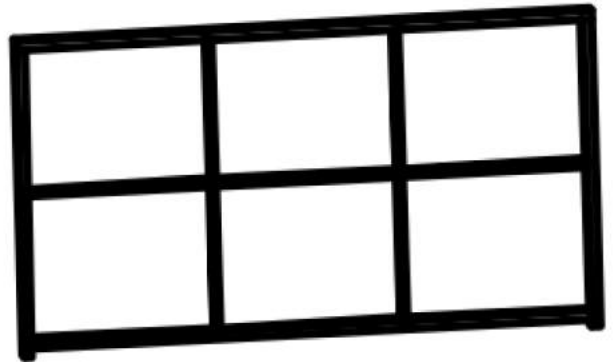
A



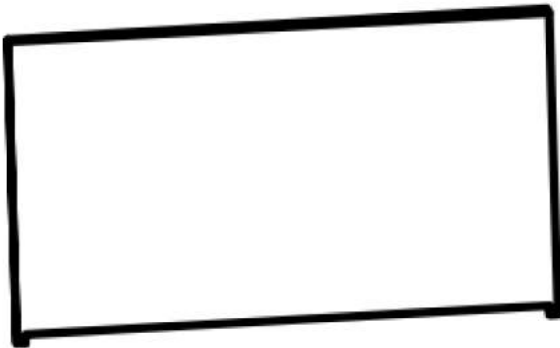
B



C



D



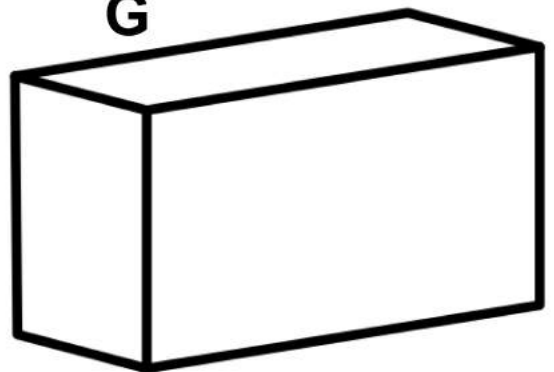
E



F



G












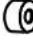




Questions?
Scan Here

⚠ WARNING:

1. Do not let any sharp objects touch or rub the surface of the product.
2. When assembling, do not let children play around the working area.
3. Please confirm all parts are correct before starting the assembly process.
4. Do not tighten all bolts and screws completely until the entire unit has been assembled and set up.

Hardware

						
						
M6x40	M6x30	M6x15	M6	M6		
12pcs	1pc	4pcs	13pcs	1pc	1pc	1pc



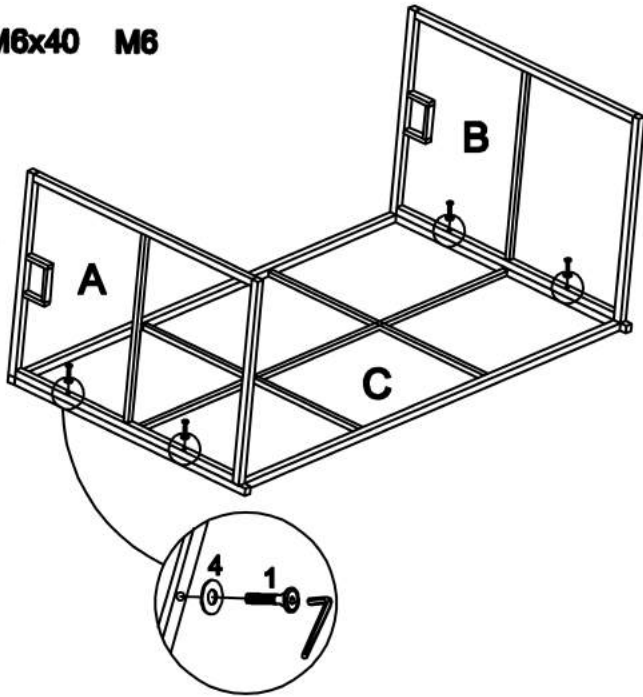
 **Questions?**
Scan Here

Step 1

4pcs 4pcs



M6x40 M6

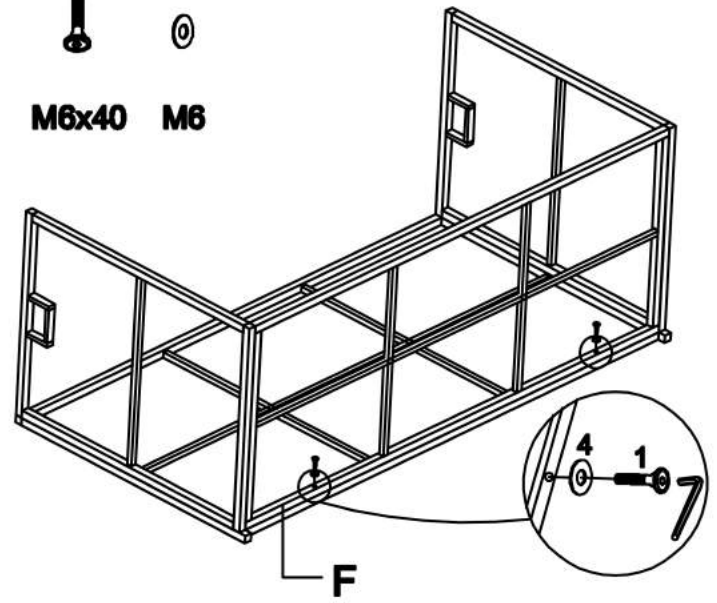


Step 2

2pcs 2pcs



M6x40 M6

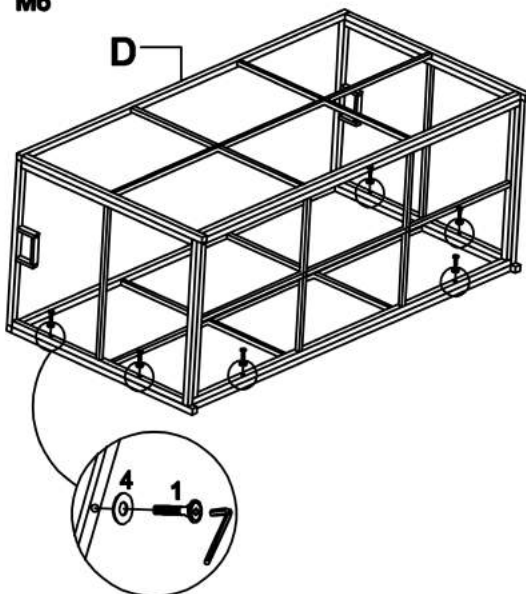


Step 3

6pcs 6pcs



M6x40 M6

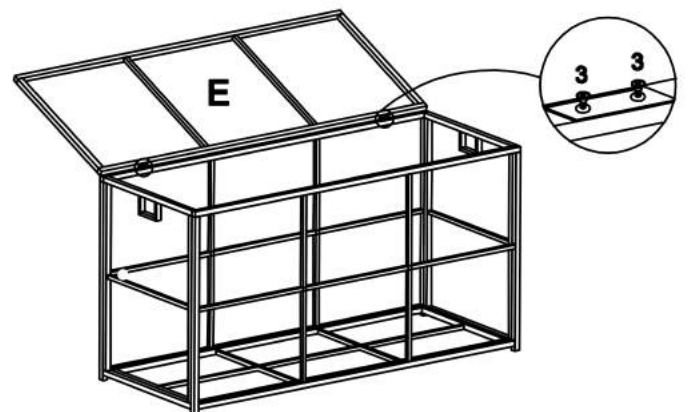


Step 4

4pcs



M6x15



← **Questions?**
Scan Here

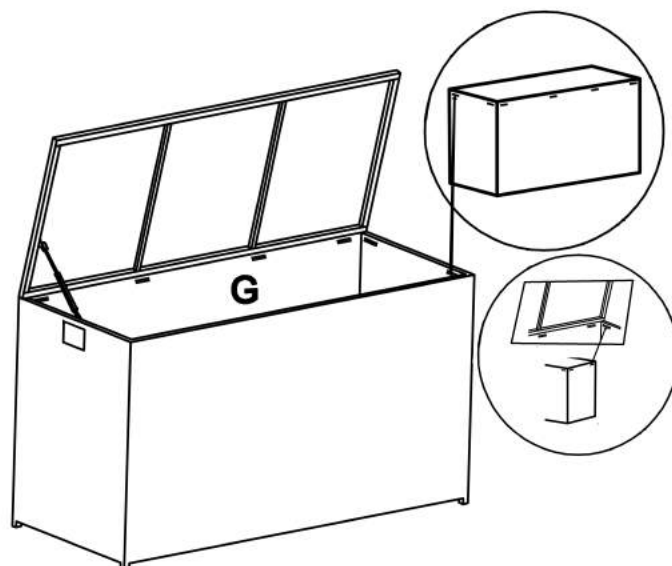
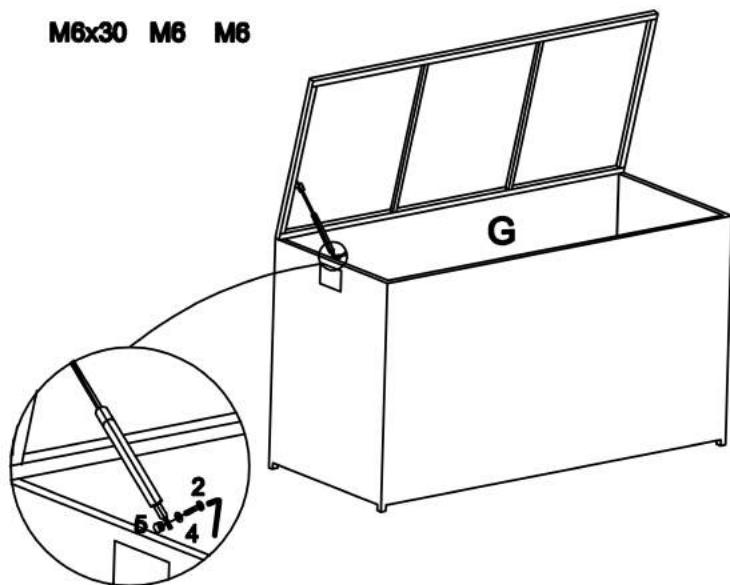
Step 5

Step 6

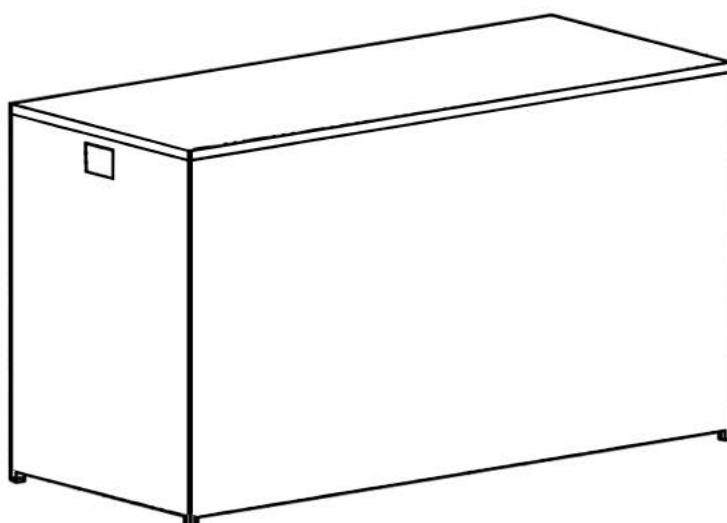
1pc 1pc 1pc



M6x30 M6 M6



Finish



← **Questions?**
Scan Here