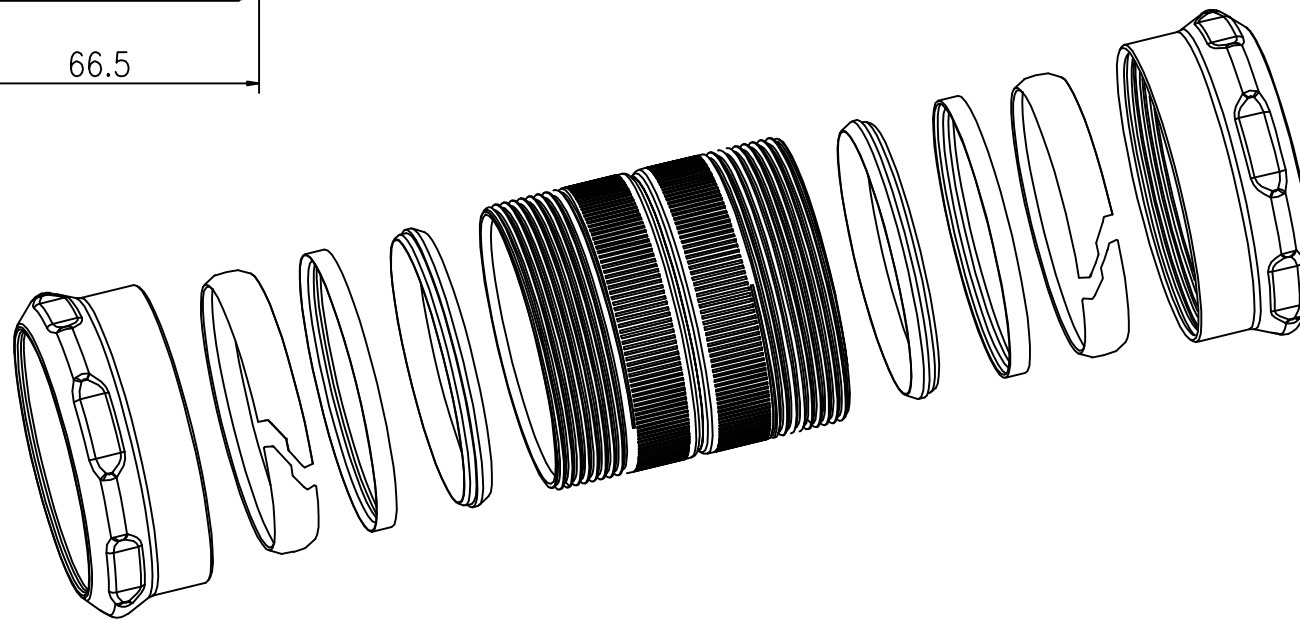
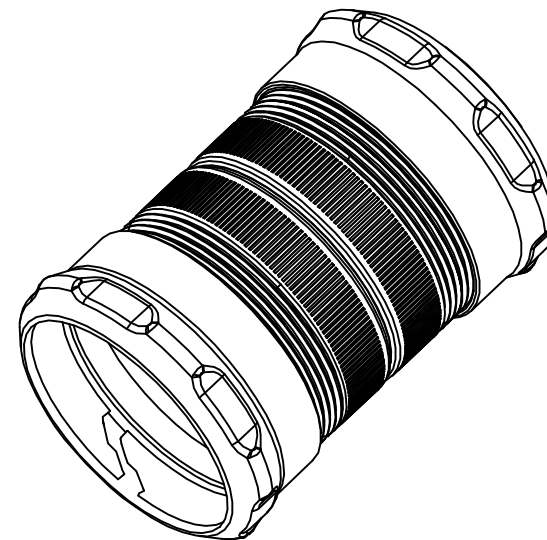
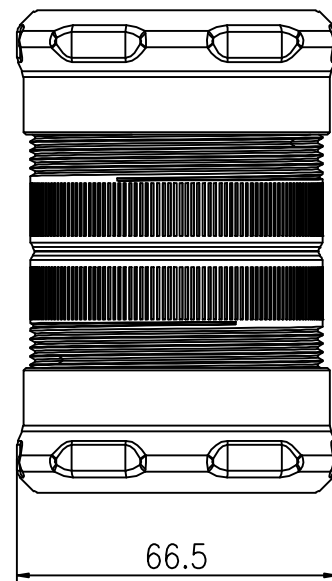
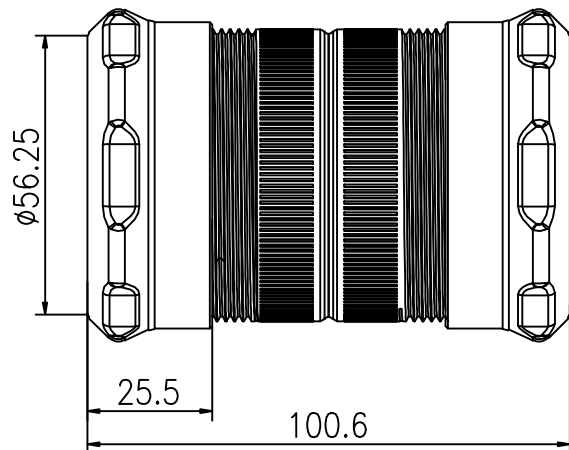


SIDES	BOTTOM
Material: Zinc plated steel	



TRADE REFERENCE TERMS

STANDARD PACKING	GARVIN INDUSTRIES		
10 PCS	TITLE 2" Compression coupling raintight		
	SIZE A4	DWG NO. DS-CCPR-200	REV A