

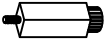









ASSEMBLY INSTRUCTION

B1583-050 STARDUST DRESSER

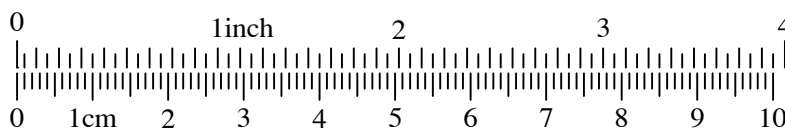
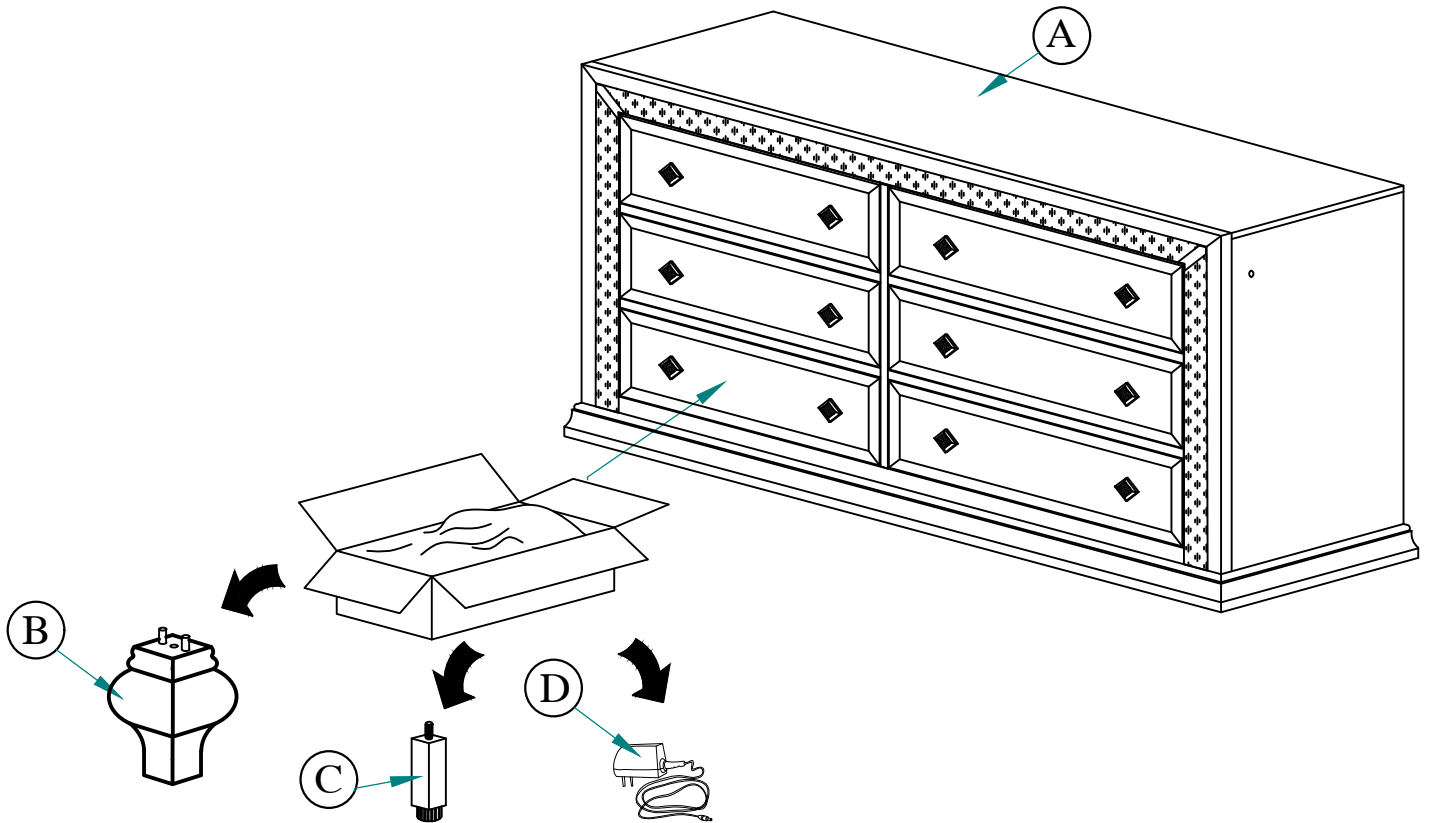
Thank you for purchasing this quality product. Be sure to check all packing materials carefully for small parts which may have come loose inside the carton during shipment. Identify and count all items and compare with the parts list and hardware list shown below.

PARTS LIST			
NO	DESCRIPTION	SKETCH	QTY
A	Chest		1pc
B	Bun Foot		4pcs
C	Center Support Leg		1pc
D	AC/DC Adapter		1pc

HARDWARE LIST			
NO	DESCRIPTION	SKETCH	QTY
1	Allen Key - M4		1pc
2	Bolt - M6 x 3-1/8"		4pcs
3	Spring Washer - M6		4pcs
4	Anti-Tipping Kit		1set

PLACE WOOD PARTS ON A
CLEAN NON-ABRASIVE SURFACE

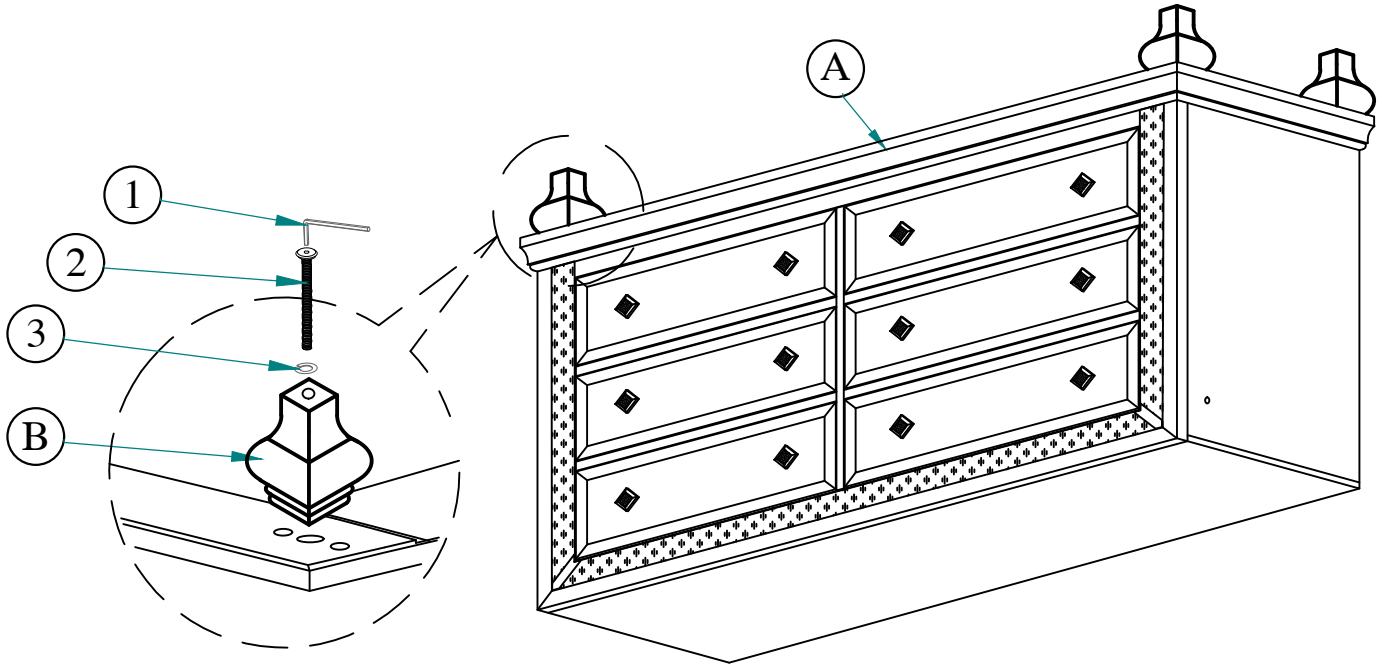
Step 1: Locate the Bun Foot (B), Center Support Leg (C), and AC/DC Adapter (D) inside boxes at the bottom drawer of the Dresser (A).





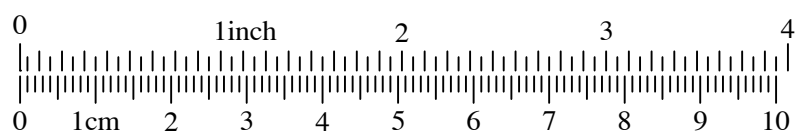
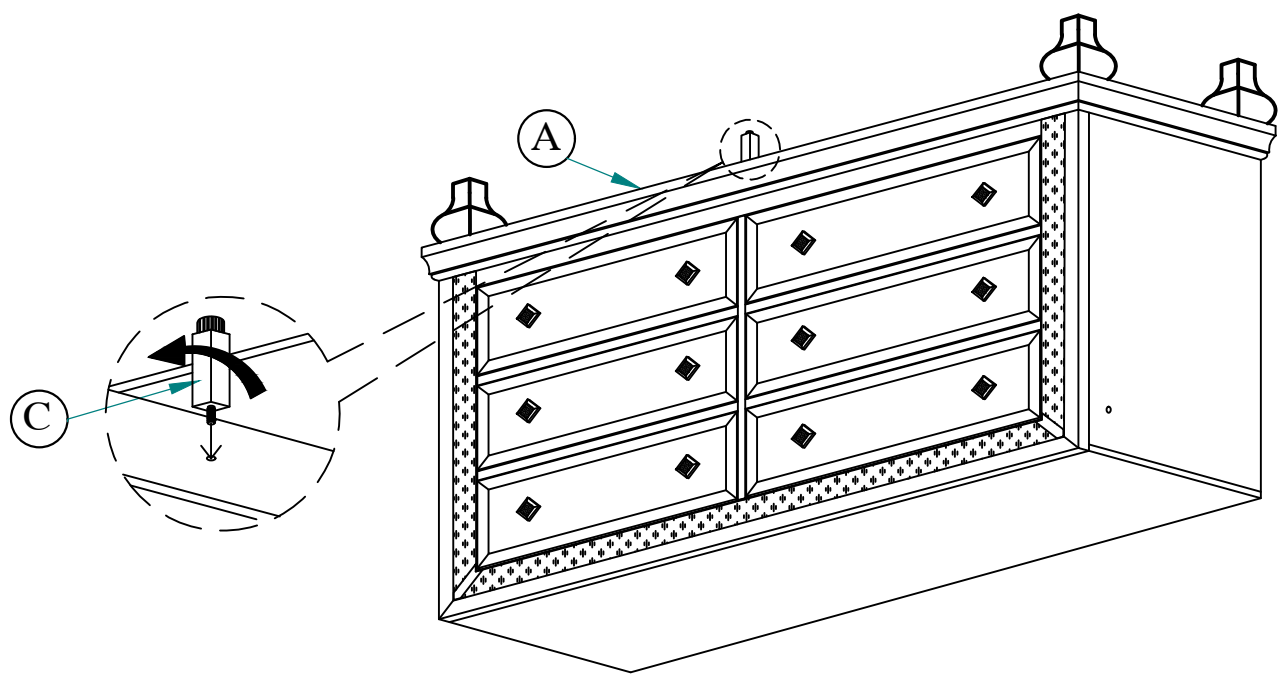
PLACE WOOD PARTS ON A
CLEAN NON-ABRASIVE SURFACE

Step 2: Assemble the Bun Foot (B) to the Dresser (A) by using Allen Key (1) and the hardware Bolt (2), and Spring Washer (3).



Step 3: Assemble the Center Support Leg (C) to the Dresser (A). Adjust the leveler on the Center Support Leg (C) with the floor.

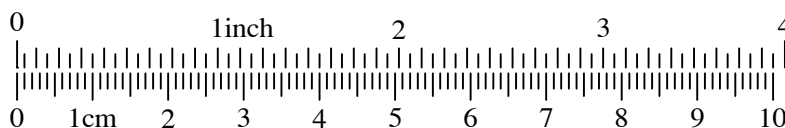
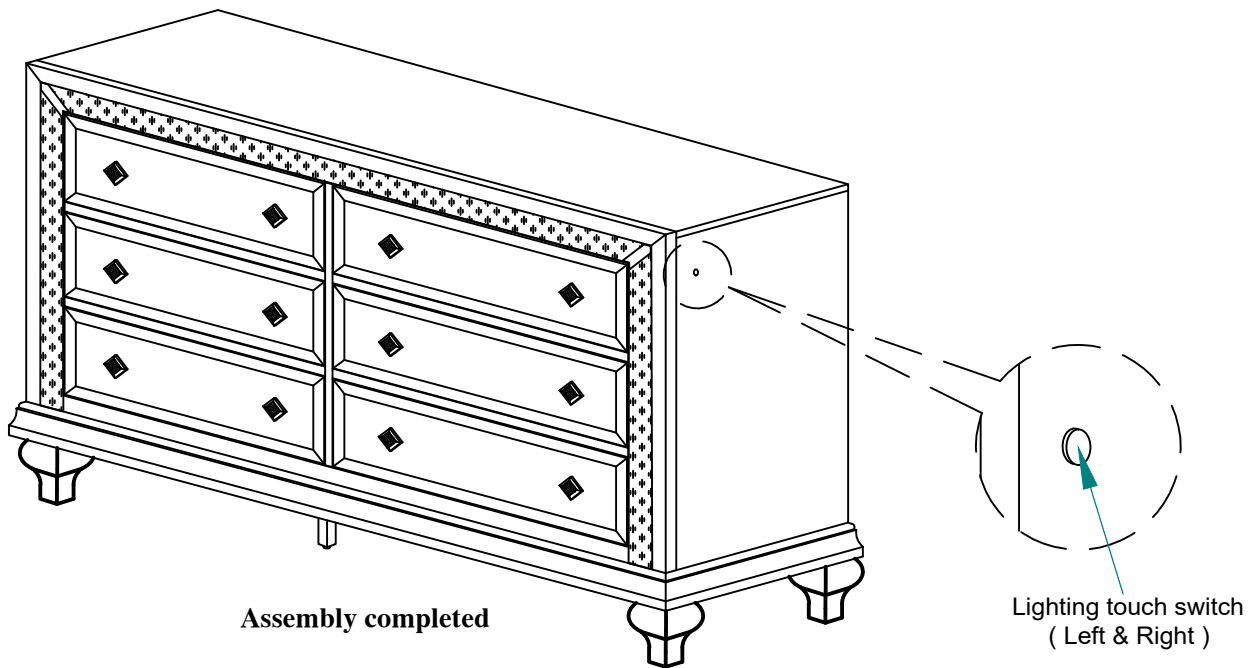
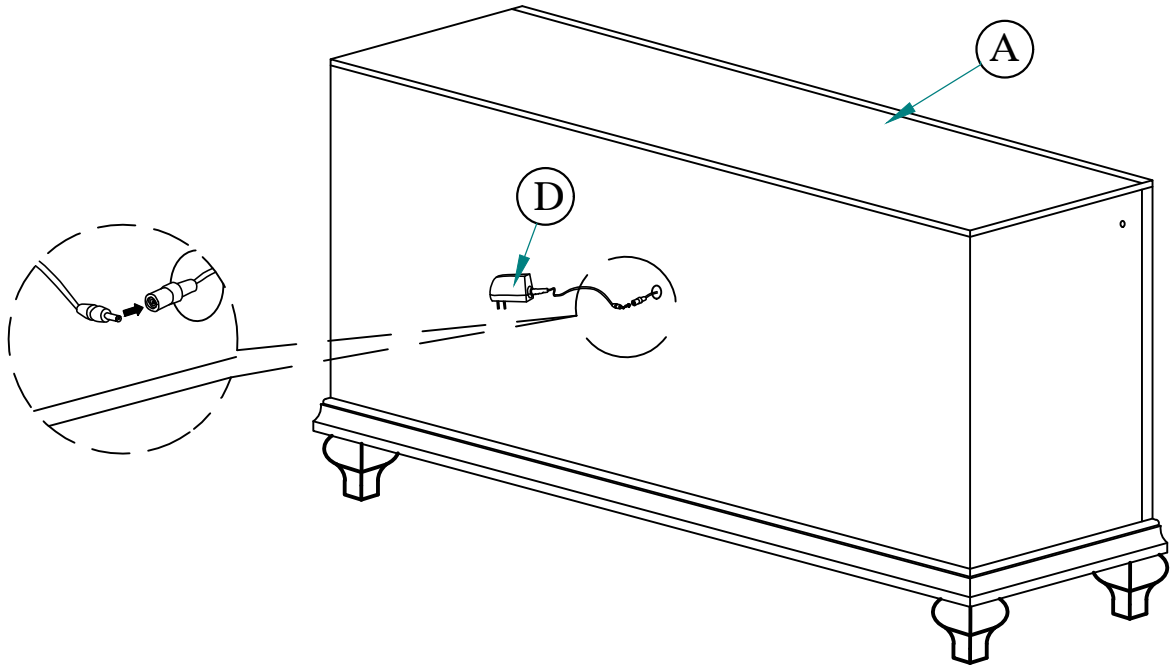
PLACE WOOD PARTS ON A
CLEAN NON-ABRASIVE SURFACE





PLACE WOOD PARTS ON A
CLEAN NON-ABRASIVE SURFACE

Step 4: Connect the AC/DC Adapter (D) to the wire on the back of Dresser (A).





PLACE WOOD PARTS ON A
CLEAN NON-ABRASIVE SURFACE

Step 5: Install the Anti-Tipping Kit. Anti-Tipping Kit must always be used to prevent the furniture from tipping.

