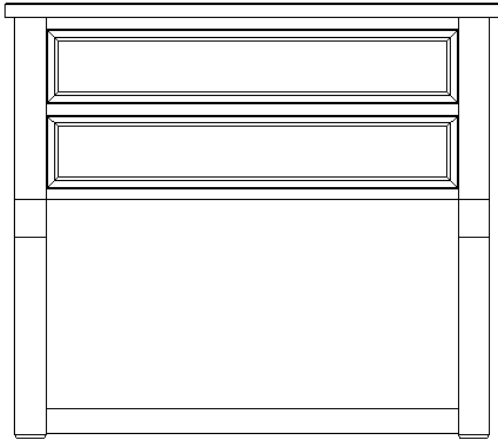


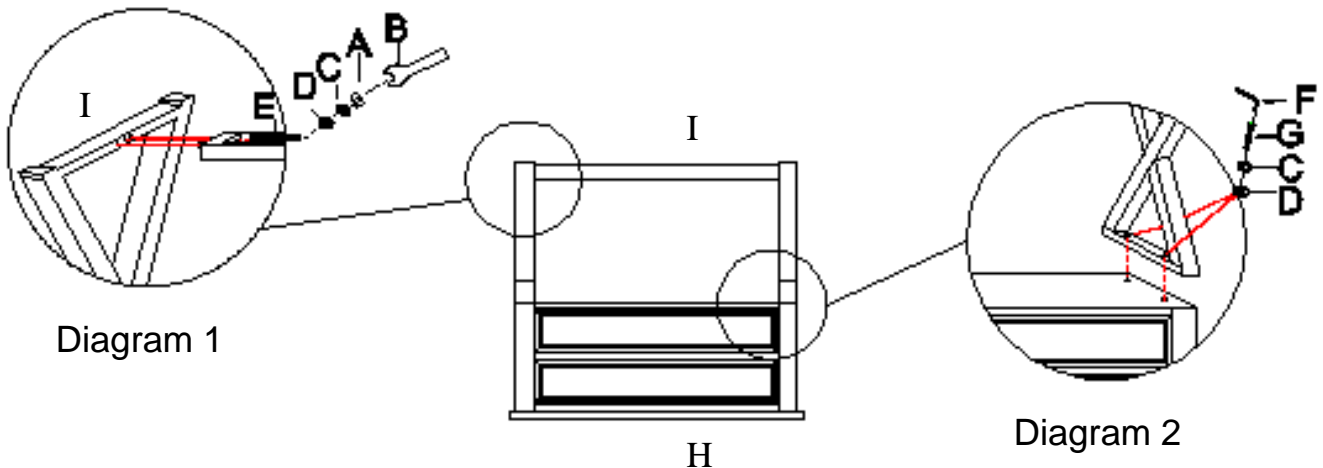
ASSEMBLY INSTRUCTION

Item#: 638-50133 Bennett X-Base Lateral File

**** Please make sure you have all parts indicated below prior to assembly.**



NO.	HARDWARE LIST		Q'TY
A		Nut	2
B		Spanner	1
C		Lock Washer	6
D		Flat Washer	6
E		Full Treaded Bolt	2
F		Allen Wrench	1
G		Bolt	4



Assembly Steps:

1. Place file top upside down on a soft surface to prevent from being scratched.
2. Insert bolts (E) into hole of left and right X-bases (I), attach the end of stretcher to bolts (E) on X-bases (I) using flat washer (D), lock washer (C) and nut (A), tighten securely with spanner (B)(see diagram 1).
3. Attach assembled X-base(I) to top using bolts (G), lock washers (C), flat washers (D) and secure all bolts with allen wrench (F) in a clockwise direction (see Diagram 2).
4. Turn the case upright.

Cleaning Instruction: Clean finished parts with a mild dishwashing liquid and water solution on a damp cloth. Polish the finish with soft cloth and an industry recognized furniture polish