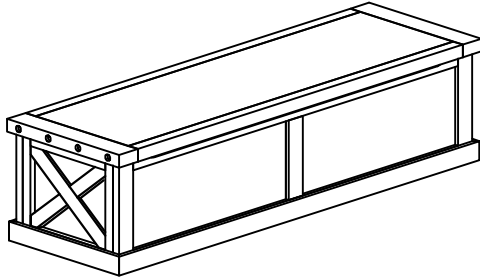


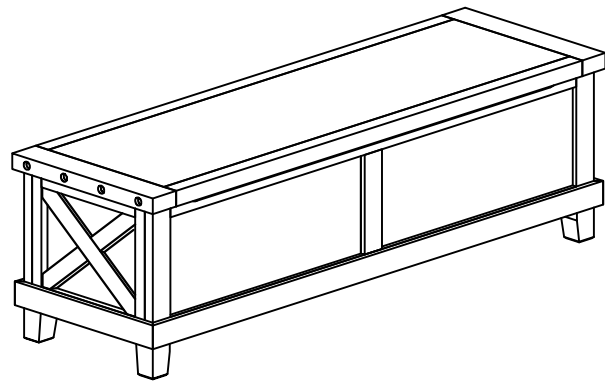
# YOSEMITE BLANKET ASSEMBLY INSTRUCTIONS



A. BLANKET 1PC





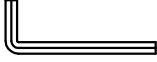
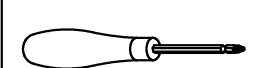
BLANKET ASSEMBLED



B. LEGS 4PCS



## HARDWARE ARE PACKED IN BOX

1	ALLEN BOLT M6 x 50 MM	04 PCS	2	WASHER M6	04 PCS	3	ALLEN KEY (4MM)	01 PC
								
TOOL REQUIRED								
PHILLS HEAD SCREW DRIVER NOT PROVIDED								

STEP 1:

**FASTEN THE LEGS (B) TO THE BLANKET (A), WITH BOLTS (1) AND WASHERS (2).**

