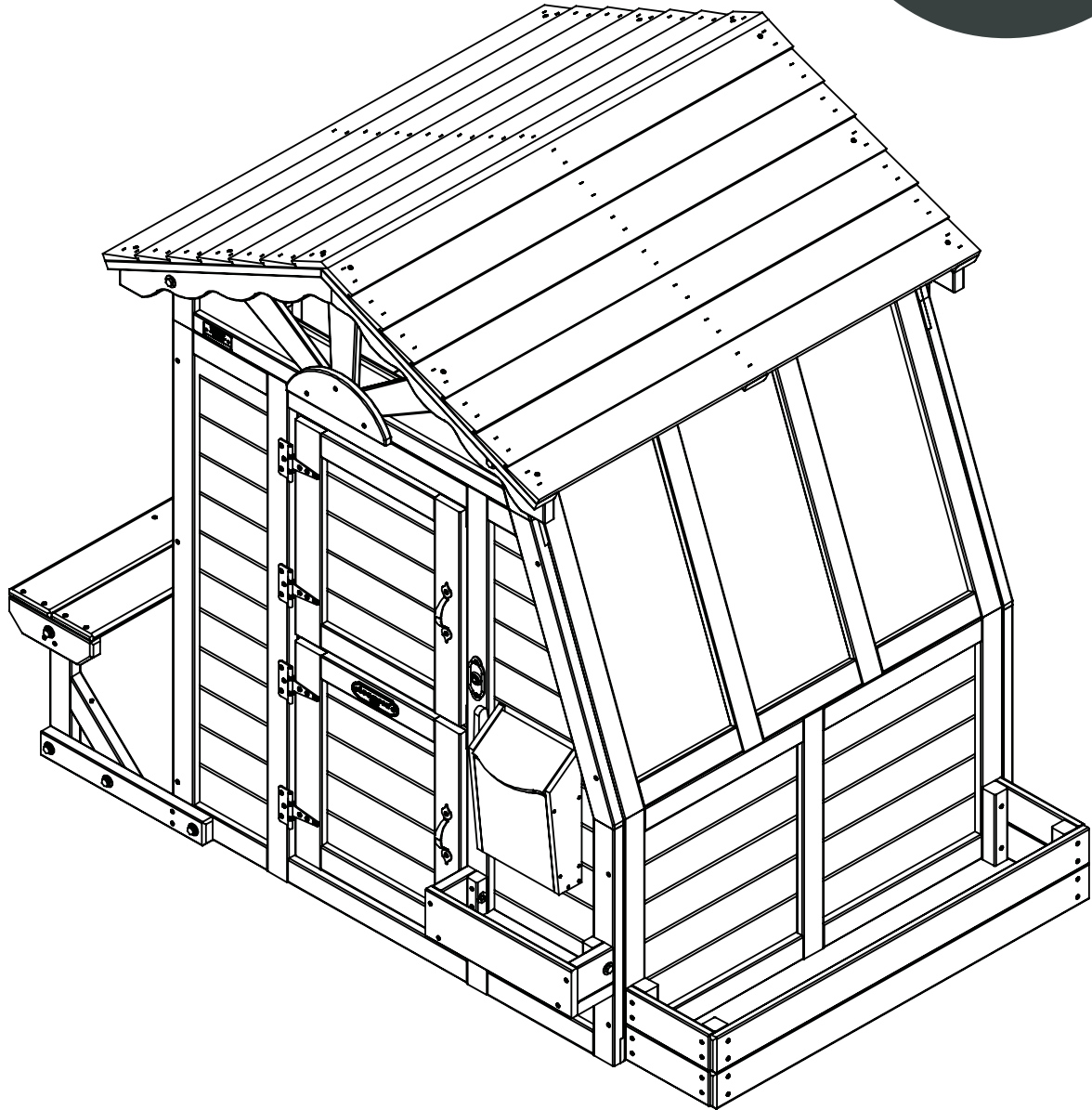


T-OD-0063-00A

Gardenia Outdoor Wooden Playhouse

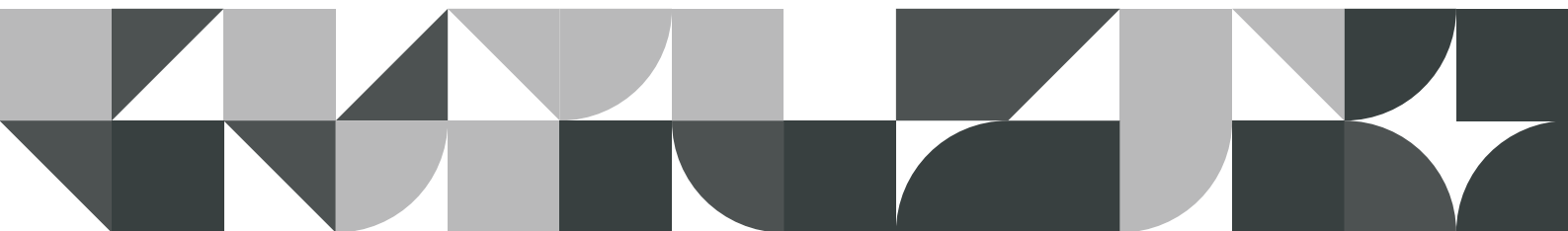
Tan and Green

E-1224



! WARNING

To reduce the risk of serious injury or death, please read and follow these instructions. Keep and refer to instructions as needed and pass along to any future owners of this item.



www.teamson.com

1280 Lakes Parkway Suite 200 Lawrenceville GA 30043 | (770) 246-4898

Please Read this Before Assembly

- **Review the Manual:** Read the entire manual, especially the safety instructions, before starting.
- **Prepare the Area:** Ensure the installation area is level and suggest providing a 6-foot safety zone on all sides.
- **Inventory All Parts:** Lay out and check all parts, including small pieces that may be hidden in packaging.
- **Warranty Notice:** This playset is for private residential use only. Public use, such as in daycares or parks, will void the warranty.
- **Assembly Process:** Work with another person and leave bolts loose until the frame is fully squared.
- **Keep Safety in Mind:** Always prioritize safety during assembly and use, following the manual's guidelines.
- **Save the Manual:** Retain for future reference and maintenance.



MISSING A PART ?
CONTACT US INSTEAD OF
RETURNING TO THE STORE

The store where you made your purchase does not stock parts for this item. If you have any questions or you are missing or have a damage part, please contact

✉ **support@teamson.com**
+1(770) 246-4898 | www.teamson.com



Please have the following information **model number** **batch number** **ID Plaque number** **part number** ready when you make your call:

T-OD-0069-00G

**Outdoor Explorer
Charles Plus Playset**

E-1224

model number

*Model Number located on the front of the assembly manual



batch number

123456789A

Wood Parts

number on the wood part name **part number**

0010 Main Frame Side-Left - 3290010
(x2) - 1 1/4" x 2 1/2" x 88"

quantity part size

Hardware

part number part name

S37 Pan Screw
(x20) - #7 x 5/8"

quantity part size



Swing Set
ID Plaque number

T1234567890



Playhouse
ID Plaque number

T1234567890

⚠ Warnings and Safe Play Instructions

Continuous Adult Supervision Required

This remains appropriately placed first as adult supervision is the foundation of playground safety. No further adjustments needed.

Your Child's Safety is Our Top Priority

This effectively reinforces the importance of reviewing safety rules, and the wording is clear and concise.

Choking Hazard/Sharp Edges & Points

Adult assembly required. This product contains small parts and parts with sharp edges and points. Keep parts away from children until fully assembled.

Serious Head Injury Hazard

The placement after safety concerns is logical, and it leads directly into installation risks. The wording emphasizes the critical nature of installing proper shock-absorbing materials.

Collision Hazard

This naturally follows the head injury risk by warning about environmental hazards. The current placement and phrasing are effective.

Choking Hazard/Sharp Edges

This naturally follows the head injury risk by warning about environmental hazards. The current placement and phrasing are effective.

Choking Hazard/Sharp Edges

Highlighting these risks during assembly is appropriate, as it reminds users to stay vigilant before the playset is fully constructed. The phrasing is clear.

Tip-Over Hazard

Anchors shall be placed level with or under the ground in order to reduce tipping hazards.

Warning Label Maintenance

This is correctly placed after the more immediate risks. Reminding users of their responsibility to maintain legible safety labels is key to ensuring long-term safety.

Regular Inspection and Maintenance

The recommendation to inspect regularly aligns well after the playset is in use. This ties into the general theme of ongoing vigilance for safety.

Anchoring and Stability

Anchoring is crucial for preventing tip-overs, so reiterating its importance after regular inspection strengthens the focus on structural stability. The flow here is smooth.

Weather Considerations

The weather-related risks are well-placed after anchoring and stability. Seasonal considerations make sense following the structural checks.

Surface and Clearance

Ending with this reinforces earlier safety points, particularly about head injuries. By revisiting the importance of ground clearance and protective surfacing, you ensure the reader is reminded of the foundational safety considerations.

Clothing and Footwear Safety

Children must wear secure shoes and avoid loose clothing, such as ponchos, scarves, or items with drawstrings. Sandals, flip-flops, and clogs are not allowed.

Strangulation Hazard

Children must not play with or attach ropes, clotheslines, pet leashes, cables, chains, or similar items to the playset. Use only equipment specifically designed for the playset to avoid strangulation risks.

Helmet Safety

Children must remove bike or sports helmets before using the playset to prevent potential safety hazards.

Never add extra length to chain or rope. The chains or ropes provided are the maximum length designed for the swinging element(s).

✓ DO

- Follow capacity limits as specified for the playset to avoid overloading and structural damage
- Ensure children wear closed-toe, well-fitting shoes for better protection while playing
- Teach children to sit in the center of swing seats and hold both sides of the chain to prevent falls
- Inspect the playset regularly for cracks, splinters, or loose hardware. Repair or replace as needed
- Ensure ropes, chains, and cables are securely fastened at both ends, preventing entanglement hazards
- Check plastic slides or surfaces for high temperatures on hot days and cool them if necessary to prevent burns
- Position slides to minimize sun exposure, reducing the risk of overheating

✗ DO NOT

- Do not allow children to wear open-toe or heel shoes such as sandals or flip-flops
- Do not allow children to walk in front of, behind, or near moving swings or rides
- Do not let children twist swing chains or ropes, as this weakens the materials and increases the risk of failure
- Do not allow children to get off swings while they are in motion
- Do not permit play on wet equipment as it increases the risk of slipping
- Do not allow rough play or unsafe actions like jumping from swings, climbing roofs, or misusing equipment
- Do not allow empty seats to swing freely, which can create hazards for others
- Do not allow children to go down slides headfirst or run up slides

Playground Surfacing Materials

THE FOLLOWING SAFETY GUIDELINES ARE BASED ON SECTION 4 OF THE CONSUMER PRODUCT SAFETY COMMISSION'S OUTDOOR HOME PLAYGROUND SAFETY HANDBOOK TO ENSURE COMPLIANCE AND REDUCE THE RISK OF SERIOUS INJURY.

Select Protective Surfacing

- One of the most critical steps in reducing the risk of serious head injuries is installing shock-absorbing surfacing under and around your playground equipment. The protective surface should meet **ASTM F1292** standards and be installed according to equipment height.
- **Do not** install playground equipment over concrete, asphalt, or other hard surfaces, as a fall can cause serious injury. Grass and dirt are not considered adequate protective surfaces because their shock absorption degrades over time.

Loose-Fill Materials

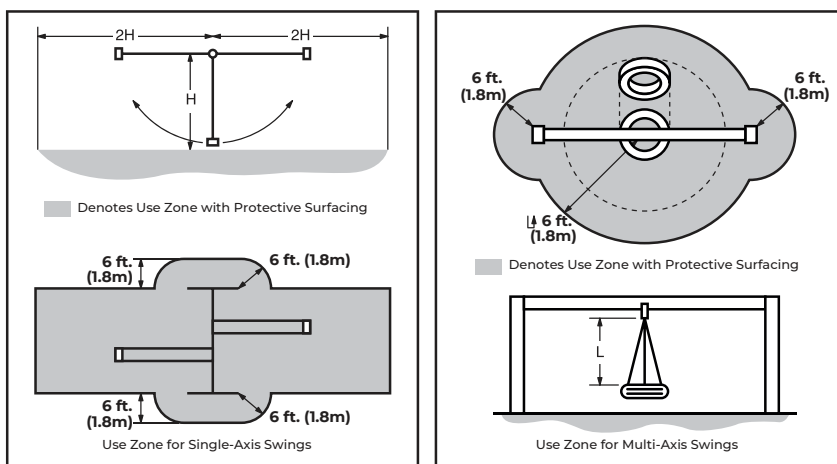
- Maintain at least **9 inches of wood mulch, engineered wood fiber (EWF), or shredded rubber** for equipment up to 8 feet high, or **9 inches of sand or pea gravel** for equipment up to 5 feet high. Begin with a fill level of 12 inches to allow for compression over time.
- For equipment less than 4 feet high, use a minimum of **6 inches of loose-fill** materials, but never less, as this can lead to compaction or displacement of the material.
- Containment methods like edging or digging out around the perimeter will help keep materials in place and manage water drainage. Regularly check and maintain the surface depth to ensure continuous safety.

Poured-In-Place Surfaces and Rubber Tiles

- For a professional-grade option, you may consider **poured-in-place rubber or rubber tiles**. These surfaces must be installed by professionals and must meet the **ASTM F1292** safety standard. Be sure to check the manufacturer's reports to verify the surface protects against falls from your equipment's height.
- Regularly inspect the surfacing for wear and tear to ensure ongoing protection.

Proper Placement

- Ensure that protective surfacing extends at least **6 feet in all directions** from the equipment.
- For swings, the surfacing should extend to a distance **twice the height of the swing's top bar**, both in front and behind the swings. For **tire swings**, the surfacing should form a circle with a radius equal to the swing's height, plus 6 feet, in all directions.



These safety guidelines are based on Section 4 of the Consumer Product Safety Commission's (CPSC) Outdoor Home Playground Safety Handbook. For more detailed information, please visit the CPSC website at www.cpsc.gov or contact their toll-free Consumer Hotline at 800-638-2772.

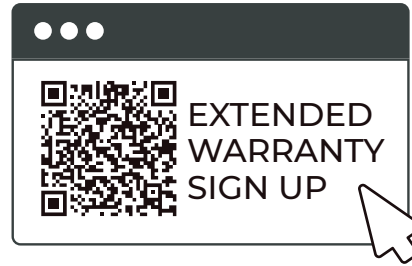
Limited Warranty

Thank you for choosing Teamson's product. To enjoy the benefits of our warranty, please complete your register on our website.

Visit Our Website

To register your purchase and activate your warranty, please visit:

teamson.com/pages/warranty-registration



Day count from date of purchase	Product Age	Customer Pays
Missing or damaged or defect parts	0~60 Days	\$0 for Part + Free Shipping
defects in material and workmanship	61 Days to 1 year	\$0 for Part + S&H fee
wood rot, decay, and insect damage	0 Days to 1 Year	\$0 for Part + S&H fee
	After 1 Year to 5 Year	pro-rated for Part + S&H fee
	Over 5 Years	100% for Part (if available) + S&H fee

THE MANUFACTURER RESERVES THE RIGHT TO MAKE SUBSTITUTIONS FOR WARRANTY CLAIMS IF PARTS ARE UNAVAILABLE OR DISCONTINUED.

This warranty is valid for the original owner and registrant only and cannot be transferred.

Regular maintenance is essential to preserve the product's integrity. Failure to perform maintenance as outlined in the product's requirements may result in the warranty becoming void.

Exclusions from this Limited Warranty:

- Natural characteristics of wood such as twisting, warping, checking, peeling, or any similar changes that do not impact the product's performance or integrity.
- Improper installation or failure to follow the Assembly Instructions, which will nullify the warranty.
- Labor costs for inspections or replacements of defective parts.
- Incidental or inconsequential damages.
- Cosmetic issues, including rusting, fading, minor cracks, or corrosion that do not affect functionality or structural integrity.
- Vandalism, misuse, or overloading beyond the stated capacities in the Assembly Manual.
- Damage caused by acts of nature, such as wind, storms, hail, floods, or excessive water exposure.
- Installation on unsuitable surfaces, including uneven, unlevel, or soft ground.

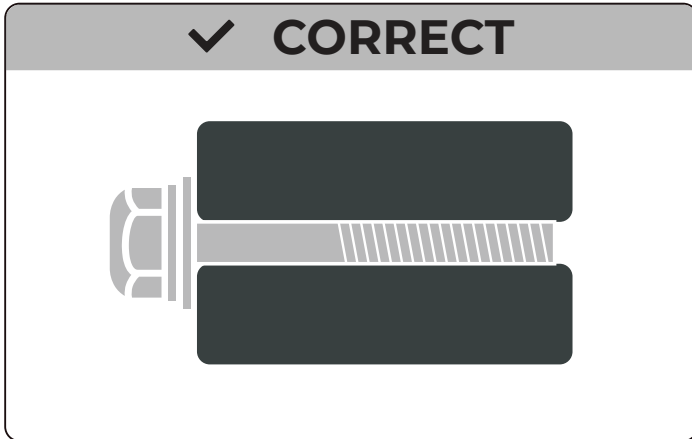
Attention:

- This product is warranted solely for residential use. Use in public settings, such as schools, churches, playgrounds, parks, or daycares, is strictly prohibited. Public use will void the warranty and may result in product failure and potential injury.
- Teamson products are engineered for safety and quality. Alterations to the original product may compromise its structural integrity, increasing the risk of failure and injury. Any modifications will void all warranties, and Teamson assumes no liability for modified products or resulting damages. Teamson disclaims any other representations or implied warranties.
- For the safety and longevity of your product, follow all provided guidelines and instructions carefully.
- Please retain these instructions and your receipt for future reference. Keep them in a safe place where they can be easily accessed as needed. To ensure the most efficient service, it is required to provide the part numbers when ordering replacement parts.

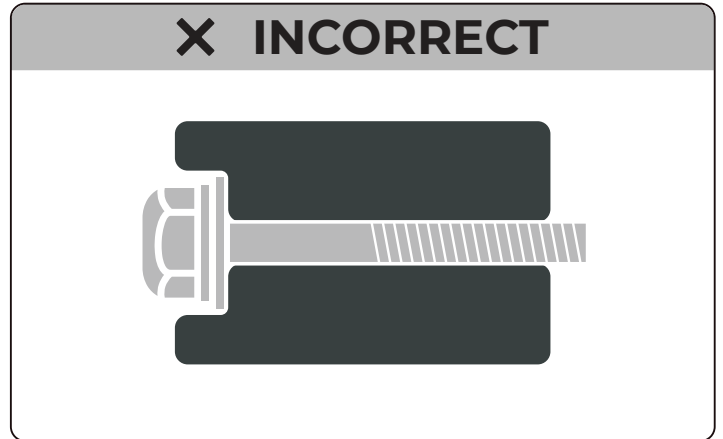
Assembly Tips

⚠ Protrusion Hazard

Ensure bolts do not protrude beyond the T-Nut as this can create a hazard. Refer to the image for proper assembly:



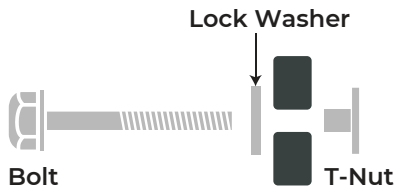
Bolt is flush with the T-Nut.



Bolt extends beyond the T-Nut, causing a potential hazard.

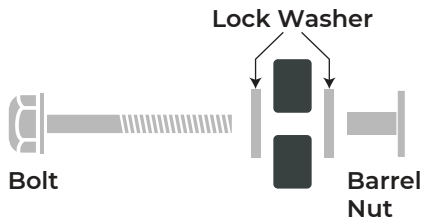
HARDWARE ASSEMBLY GUIDE

Bolt with T-Nut Assembly



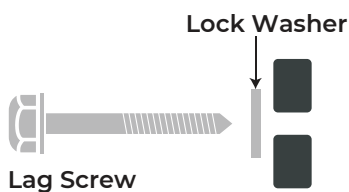
1. Insert the T-Nut into the designated hole.
2. Place a lock washer on the bolt, then insert the bolt into the hole opposite the T-Nut.
3. Turn the bolt clockwise to engage with the T-Nut. **Do not fully tighten the bolt yet;** complete tightening will be done later.

Bolt with Barrel Nut Assembly



1. Insert the barrel nut with a lock washer through the provided hole.
2. Place a second lock washer on the bolt, and insert it into the opposite side of the hole, threading it into the barrel nut.
3. Turn the bolt clockwise to secure it to the barrel nut. **Do not fully tighten the bolt yet;** final tightening will be done in later steps.

Lag Screw Assembly



1. If a pilot hole is provided, align the lag screw with it. If no pilot hole exists:
 - Position the two pieces of wood as they will be joined.
 - Use the factory-drilled hole as a guide to drill a new pilot hole into the adjoining wood.
2. Place a lock washer on the lag screw and insert it into the pilot hole.
3. Tighten the lag screw to secure the pieces, ensuring the wood does not split. **Note: Only a lock washer is required when using lag screws.**

Recommended Maintenance and Care Instructions

At the beginning of each play season:

1. Tighten all hardware.
2. Lubricate all metallic moving parts as instructed by the manufacturer.
3. Inspect and replace any loose, cracked, or missing protective coverings on bolts, pipes, edges, and corners.
4. Check swing seats, ropes, cables, and chains for wear, rust, or damage. Replace as needed.
5. Sand and repaint rusty metal parts with non-lead-based paint (16 CFR 1303 compliant).
6. Inspect wood for deterioration or splinters. Sand splinters and replace damaged wood.
7. Reinstall any plastic parts removed during the cold season.
8. Rake and check loose-fill protective surfacing for proper depth. Replenish if needed.

Twice a month during play season:

1. Tighten all hardware.
2. Inspect protective coverings on bolts, pipes, edges, and corners. Replace if loose, cracked, or missing.
3. Rake and check the depth of loose-fill protective surfacing to prevent compaction and maintain proper depth. Replenish if necessary.

Once a month during play season:

1. Lubricate all metallic moving parts according to the manufacturer's instructions.
2. Inspect all moving parts, including swing seats, ropes, cables, and chains, for wear, rust, or deterioration. Replace as needed.

At the end of each play season or when the temperature drops below 32°F/0°C:

1. Remove plastic swing seats and other specified items. Store them indoors or discontinue use.
2. Rake and check the depth of loose-fill protective surfacing to prevent compaction and maintain proper depth. Replenish if necessary.

Disposal Instructions

- **Safe Disassembly:** When the playground equipment is no longer safe for use, carefully disassemble it, removing all fasteners and sharp or protruding parts to prevent hazards.
- **Check Local Regulations:** Many areas have specific guidelines for disposing of large structures. Contact your local waste management authority for disposal or recycling options.
- **Environmentally Friendly Disposal:** Recycle metal and plastic components whenever possible. Wood parts may be recycled or repurposed if untreated, but follow local guidelines for safe disposal if they contain chemicals.
- **Hazard Prevention:** Ensure that dismantled parts are disposed of in a way that does not pose hazards to others, particularly sharp metal, splintered wood, or small parts that could be choking hazards.

Third-Party Assembly

- **Choosing a Third Party:** If you opt to hire a third party for assembly or repair, ensure they are reputable and follow the manufacturer's guidelines.
- **Responsibility Disclaimer:** The manufacturer is not responsible for any damage, injury, or loss caused by improper assembly or modifications made by a third party. Refer to the warranty for specific coverage details.
- **Installation of Ropes and Nets:** For safety, follow specific instructions regarding rope or net installation. This includes adhering to the minimum length, proper attachment points, and secure positioning.
- **Guidelines for Modifications:** If any modifications are needed, they should be done according to the manufacturer's specifications to maintain safety and compliance with warranty terms.

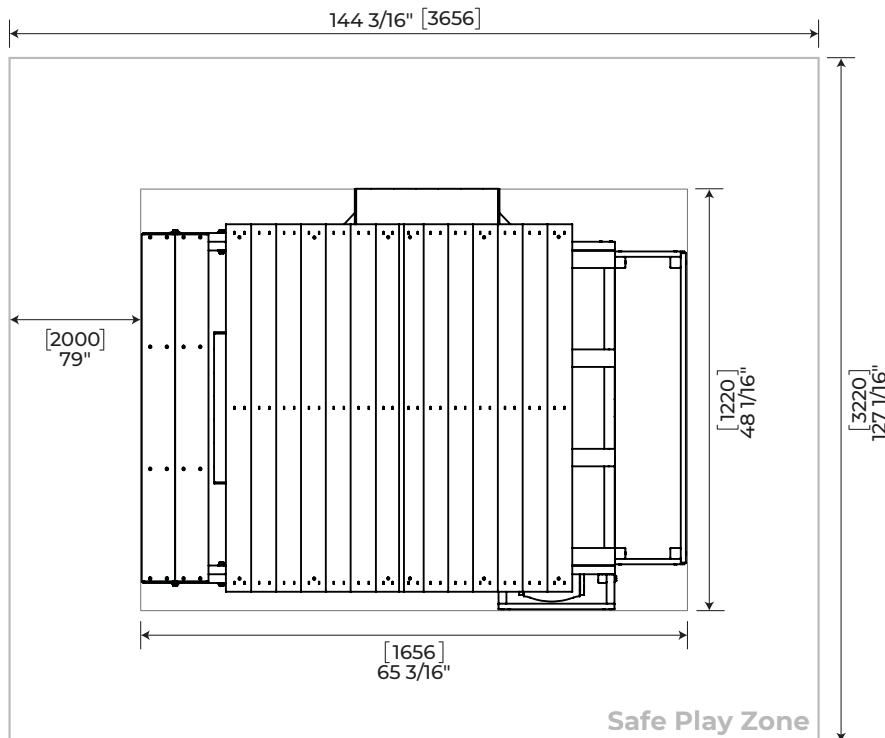
Safe Play Area and Usage Guidelines

Ground Dimension

65 3/16" [1656 mm] x 48 1/16" [1220 mm]

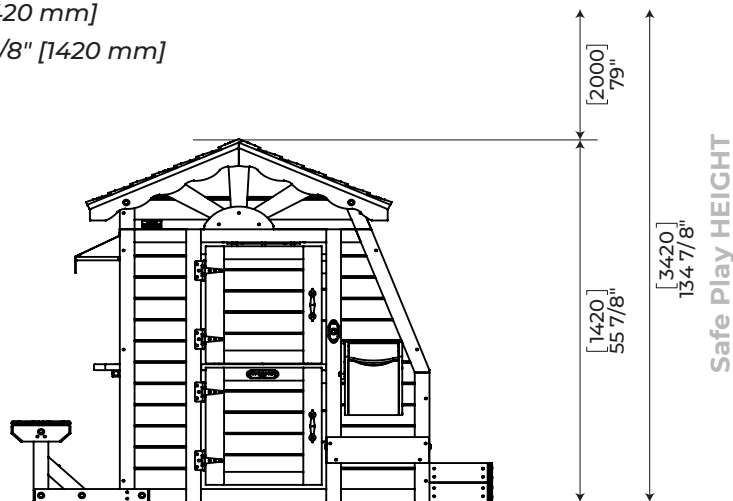
Safe Play Area

144 3/16" [3656 mm] x 127 1/16" [3220 mm] x 134 5/8" [3420 mm]



Safe Play Height 134 7/8" [3420 mm]

Maximum Fall Height 55 7/8" [1420 mm]



General Information:

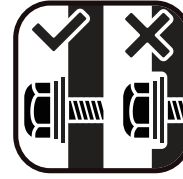
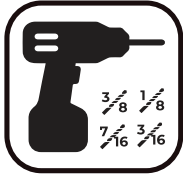
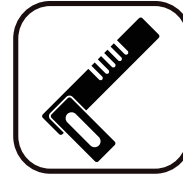
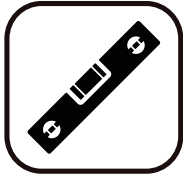
- Intended Use: This playset is designed exclusively for children's residential use. It is not suitable for commercial or public playgrounds.
- Weight Limits:
 - Individual Play Activities: Maximum weight per child: 150 lbs (68 kg).
 - Group Play Activities: Maximum weight per child: 120 lbs (54 kg).
- Capacity: This playset is designed to accommodate up to 9 children simultaneously.

Safety Guidelines:

- Supervision: Always supervise children during play to ensure safe use of the equipment.
- Age Recommendations: This playset is suitable for children aged 3 to 10 years.
- Installation Surface: Install the playset on level

- ground with appropriate safety surfacing, such as mulch or rubber mats, to cushion falls.
- Regular Maintenance: Conduct routine inspections to check for wear, damage, or loose components. Replace or repair parts as necessary to maintain safety standards.
- Proper Use: Ensure children use the equipment as intended. For example, slides should be used feet-first, and swings should not be twisted or swung empty.
- Clothing: Children should wear appropriate clothing—avoid loose garments, hoodies with drawstrings, or accessories that could get caught in the equipment.
- Weather Conditions: Do not use the playset during adverse weather conditions, such as rain, snow, or high winds, to prevent accidents.

Required Tools



Assembly Helper Required

Some steps will require two or three people for safe and proper assembly. Ensure you have a helper available.



Ensure the Structure is Level

Use a level tool to verify that the structure is even and balanced before moving to the next step.



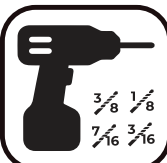
Check for Proper Alignment

Ensure your assembly is square and properly aligned before tightening the bolts.



Use an Open-End Wrench

This icon means you will need a 1/2" open-end wrench to tighten or adjust bolts.



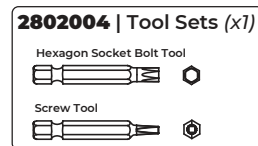
Pick the Right Drill Bit

This icon shows the size of the twist drill bit you need to pre-drill holes. Always match the drill bit size to the specific requirement of the assembly step to ensure proper fit and avoid damaging the materials.



Grab Your Electric Drill

This icon indicates the need for an electric drill to use with the drill bits in attached tool set.



Use the Right Socket

This icon means you will need a 1/2" socket to tighten or adjust bolts.



Do Not Over-Tighten Bolts

This icon warns against over-tightening bolts, as it can cause structural damage or split the wood.

Wood Parts (Not actual size)

0080 Flower bed side panel - 3290080

(x4) - 5/8" x 3" x 7 7/8"



0081 Flower bed front plate - 3290081

(x2) - 5/8" x 3" x 35 3/4"



0082 Joint bar - 3290082

(x4) - 1 1/4" x 1 1/4" x 6"



0083 Roof Side - 3660083

(x4) - 1" x 2 1/2" x 23 1/16"



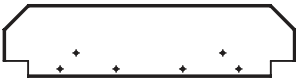
0084 Cafe Table Top B - 3660084

(x1) - 15/16" x 4 1/2" x 20"



0085 Cafe Table Top A - 3660085

(x1) - 15/16" x 4 1/2" x 18 1/4"



0086 Table Cross Brace - 3660086

(x3) - 1" x 2" x 8"



0087 Table Brace - 3660087

(x3) - 1" x 2" x 10 7/16"



0088 Table Back - 3660088

(x1) - 1" x 3" x 35 15/16"



0089 Table Top - 3660089

(x2) - 5/8" x 4" x 36"



0090 Dormer Side - 3660090

(x4) - 5/8" x 3" x 12 7/16"



0091 Dormer Burst - 3660091

(x2) - 5/8" x 3 1/2" x 9 7/16"



Wood Parts (Not actual size)

0092 Dormer Centre - 3660092

(x2) - 5/8" x 3" x 11"



0093 Door Latch Block - 3290093

(x2) - 1" x 2 1/2" x 5"



0094 Counter Top - 3290094

(x2) - 1" x 1" x 18 1/4"



0095 Bench Cross Brace B - 3290095

(x2) - 1" x 2" x 15 11/16"



0096 Bench Leg - 3290096

(x2) - 1" x 2" x 11 13/16"



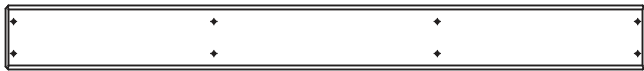
0097 Bench Top Support - 3290097

(x2) - 1" x 2 1/2" x 8"



0098 Bench Top - 3990098

(x2) - 5/8" x 4" x 40"



0099 Bench Brace - 3290099

(x2) - 1" x 2" x 9 13/16"



0100 Bench Cross Brace A - 3290100

(x2) - 15/16" x 1 1/2" x 8"



0101 Flower Box Front - 3290101

(x1) - 5/8" x 4" x 13 7/8"



0102 Flower Box Bottom - 3290102

(x1) - 1" x 4" x 13 7/8"



0103 Flower Box Side - 3290103

(x2) - 15/16" x 3" x 3 3/8"



0104 Flower Box Joint - 3290104

(x2) - 1" x 1" x 3"



Wood Parts (Not actual size)

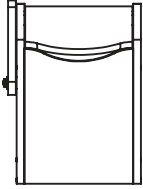
0105 Connecting Plate - 3290105

(x1) - 5/8" x 2 1/2" x 11 9/16"



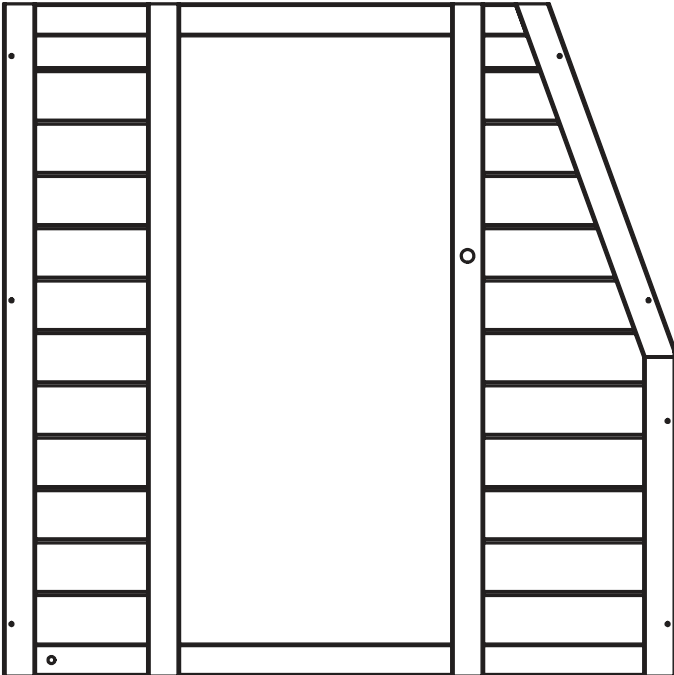
022 Letter Box - 37660022

(x1) - 3 3/4" x 8 9/16" x 11 7/16"



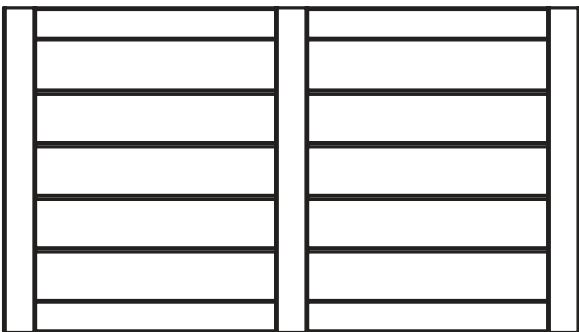
023 Front Wall - 37290023

(x1) - 1" x 42" x 42"



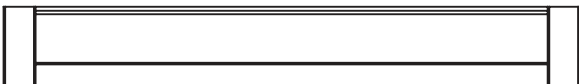
024 Right Wall - 37290024

(x1) - 1" x 36" x 20 5/16"



032 Small Left Wall - 37290032

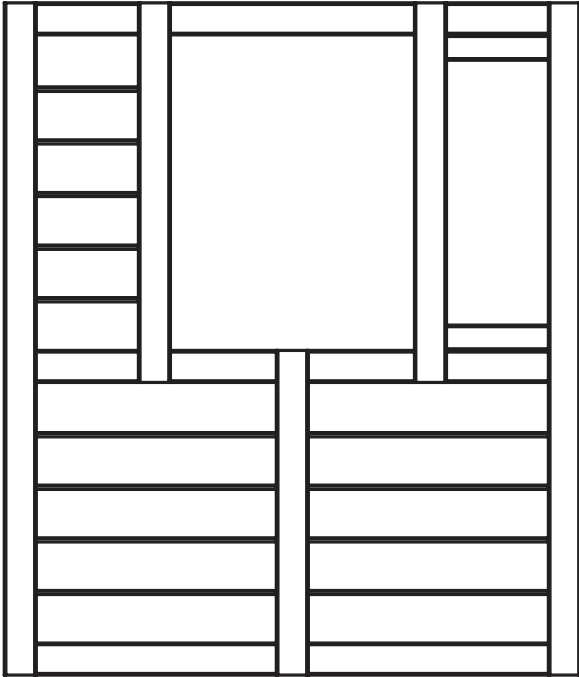
(x1) - 1" x 36" x 5"



Wood Parts (Not actual size)

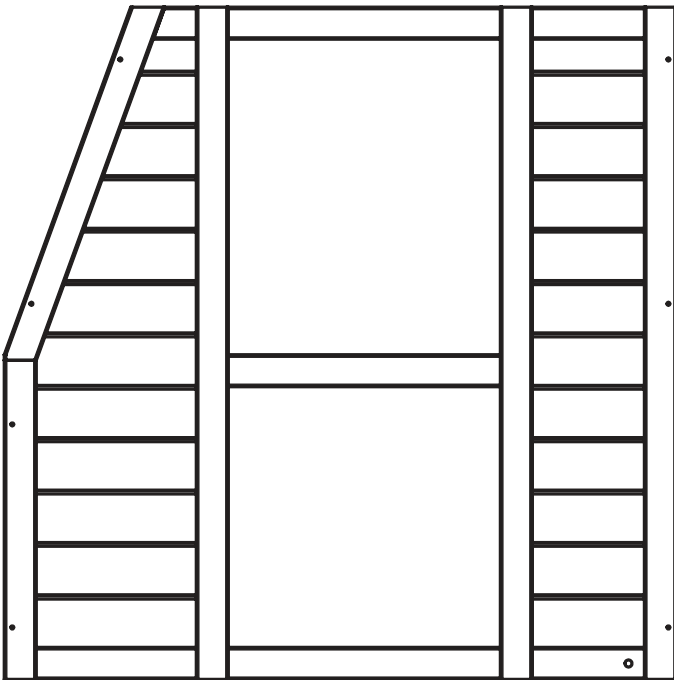
025 Left Wall - 37290025

(x1) - 1" x 36" x 42"



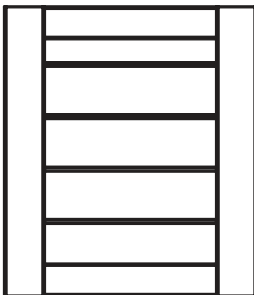
026 Rear Wall - 37290026

(x1) - 1" x 42" x 42"



027 Door - 37560027

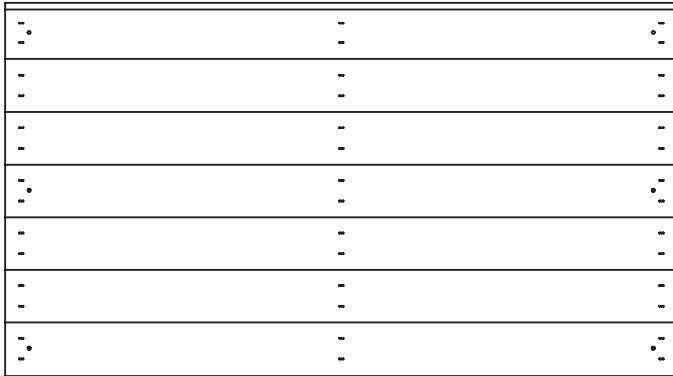
(x2) - 1" x 18 1/16" x 15 3/4"



Wood Parts (Not actual size)

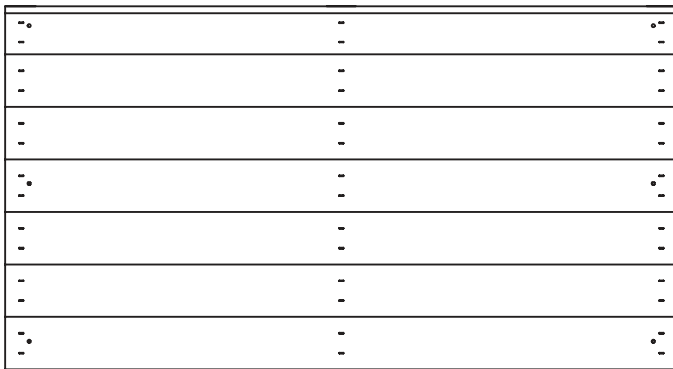
028 Roof Panel A - 37560028

(x1) - 1 1/4" x 42" x 23 5/16"



029 Roof Panel B - 37560029

(x1) - 1 1/4" x 42" x 22 11/16"



030 Small Front Wall - 37290030

(x1) - 1" x 34 1/8" x 5"



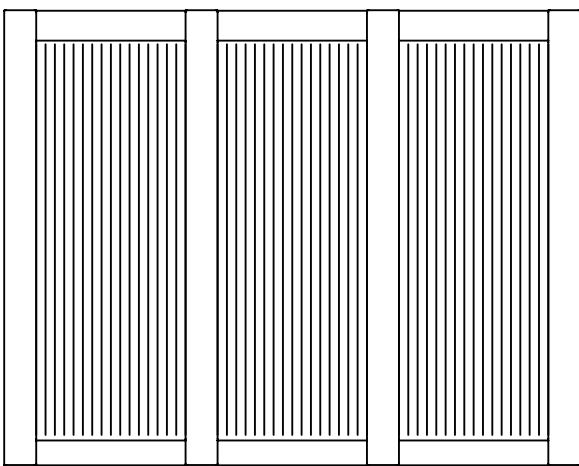
031 Small Back Wall - 37290031

(x1) - 1" x 34 1/8" x 5"



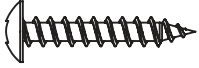
033 Window - 37660033

(x1) - 1" x 28 3/4" x 36"



Hardware (Actual Size)

S0 Truss Head Screw
(x69) - #8 x 7/8"



S3 Wood Screw
(x2) - #8 x 2-1/2"



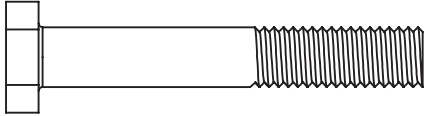
S4 Wood Screw
(x6) - #8 x 3"



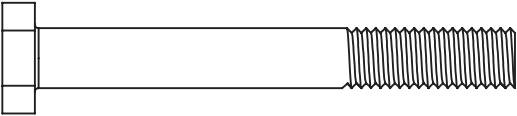
S11 Wood Screw
(x40) - #8 x 2"



G8 Hex Bolt
(x6) - 5/16 x 2"



G9 Hex Bolt
(x8) - 5/16 x 2-1/2"



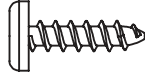
S15 Wood Screw
(x56) - #8 x 1-3/4"



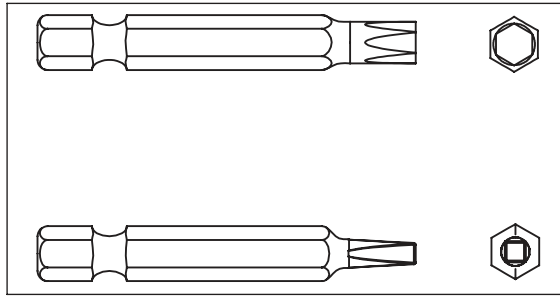
S20 Wood Screw
(x80) - #8 x 1-3/8"



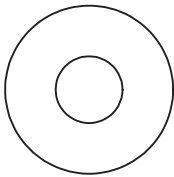
S37 Pan Screw
(x6) - #7 x 5/8"



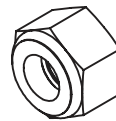
2802004
Tool Sets(x1)



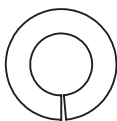
FW2 Washer Flat
(x22) - 5/16"



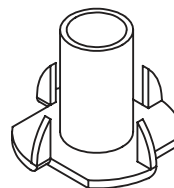
LN2 Lock Nut
(x8) - 5/16"



LW2 Washer Lock
(x8) - 5/16"



TN2 Tee Nut
(x6) - 5/16"



Accessory Parts (Not actual size)

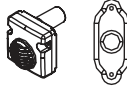
2000001

Teamson Playhouse Plaque (x1)



2109017

Door Bell (x1)



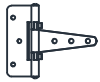
2060023

Door Handle (x2)



2060022

Door Hinge (x4)



2002025

Steel Plate (x2)



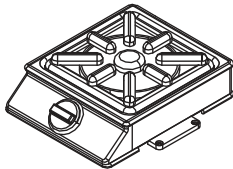
2060024

Magnetic Catch(wave) (x2)



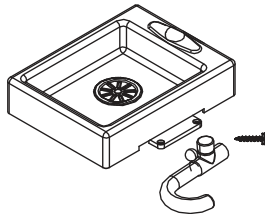
2109001

Kitchen Stove (x1)



2166002

Kitchen Sink (x1)



2160010

Kitchen Ware hook (x1)



2109003

Kitchen Pan (x1)



2109004

Kitchen Spatula (x1)



2109005

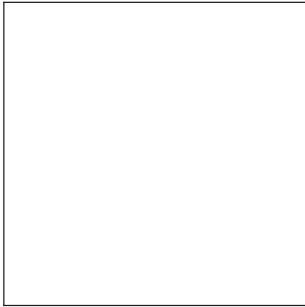
Kitchen Leak Shovel (x1)



Accessory Parts (Not actual size)

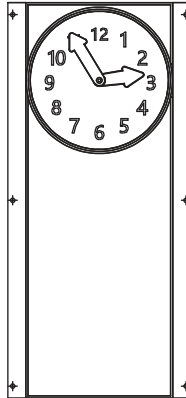
2256006

Small Door Curtain (x1)



2160032

Chalk Clock Sign (x1)



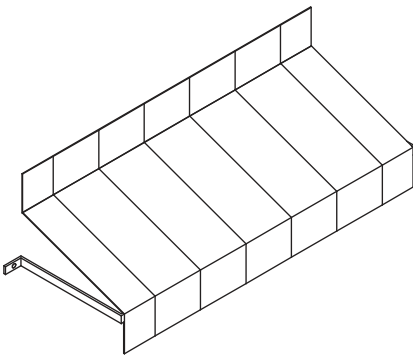
2000030

Playhouse ID Plaque (x1)



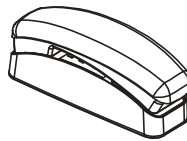
2206005

Fabric Roof E (x2)



2118013

Phone (x1)



Step 1

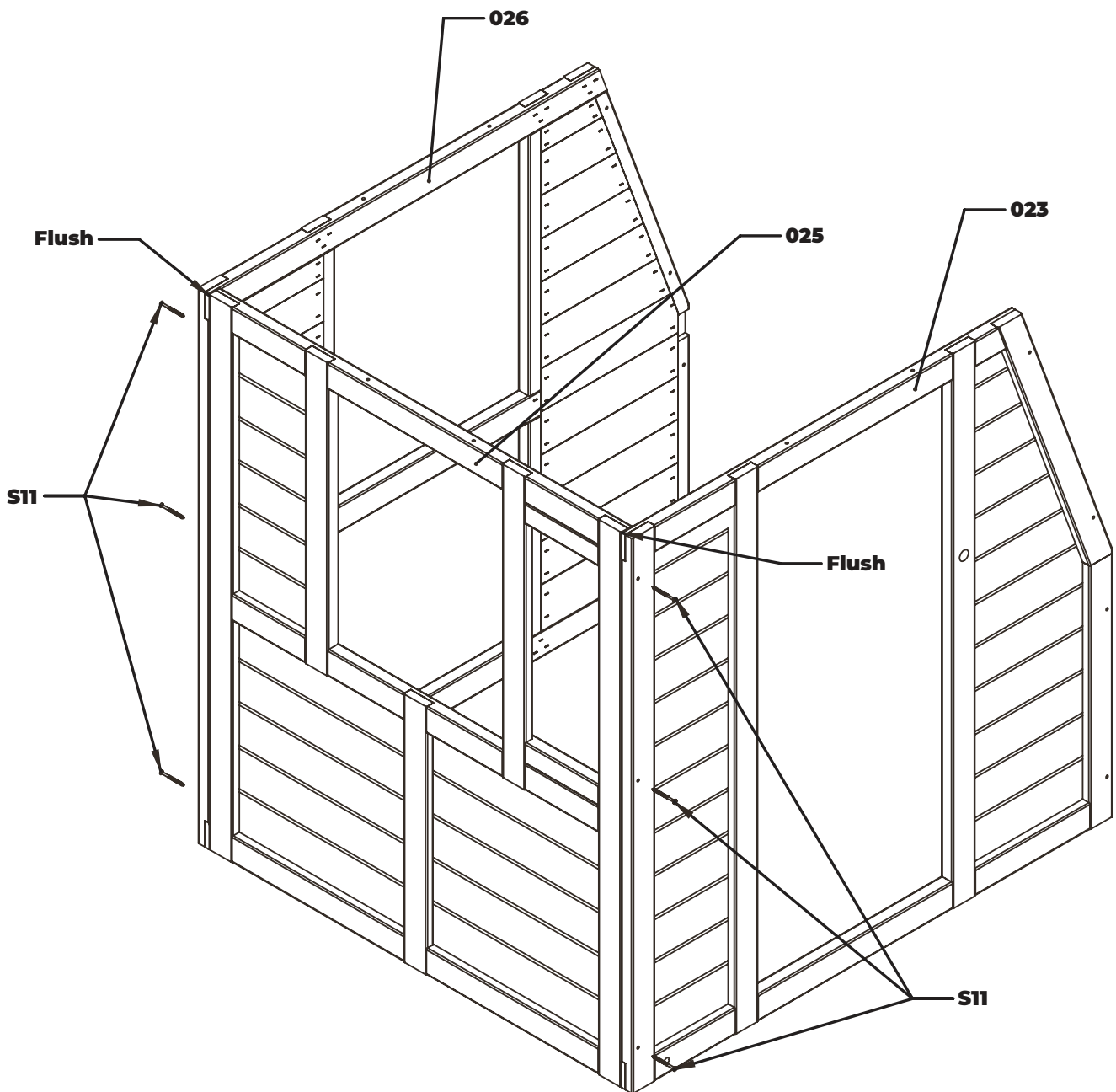
Wood Parts

023 Front Wall
(x1) - 1" x 42" x 42"
025 Left Wall
(x1) - 1" x 36" x 42"

026 Rear Wall
(x1) - 1" x 42" x 42"

Hardware

S11 Wood Screw
(x6) - #8 x 2"



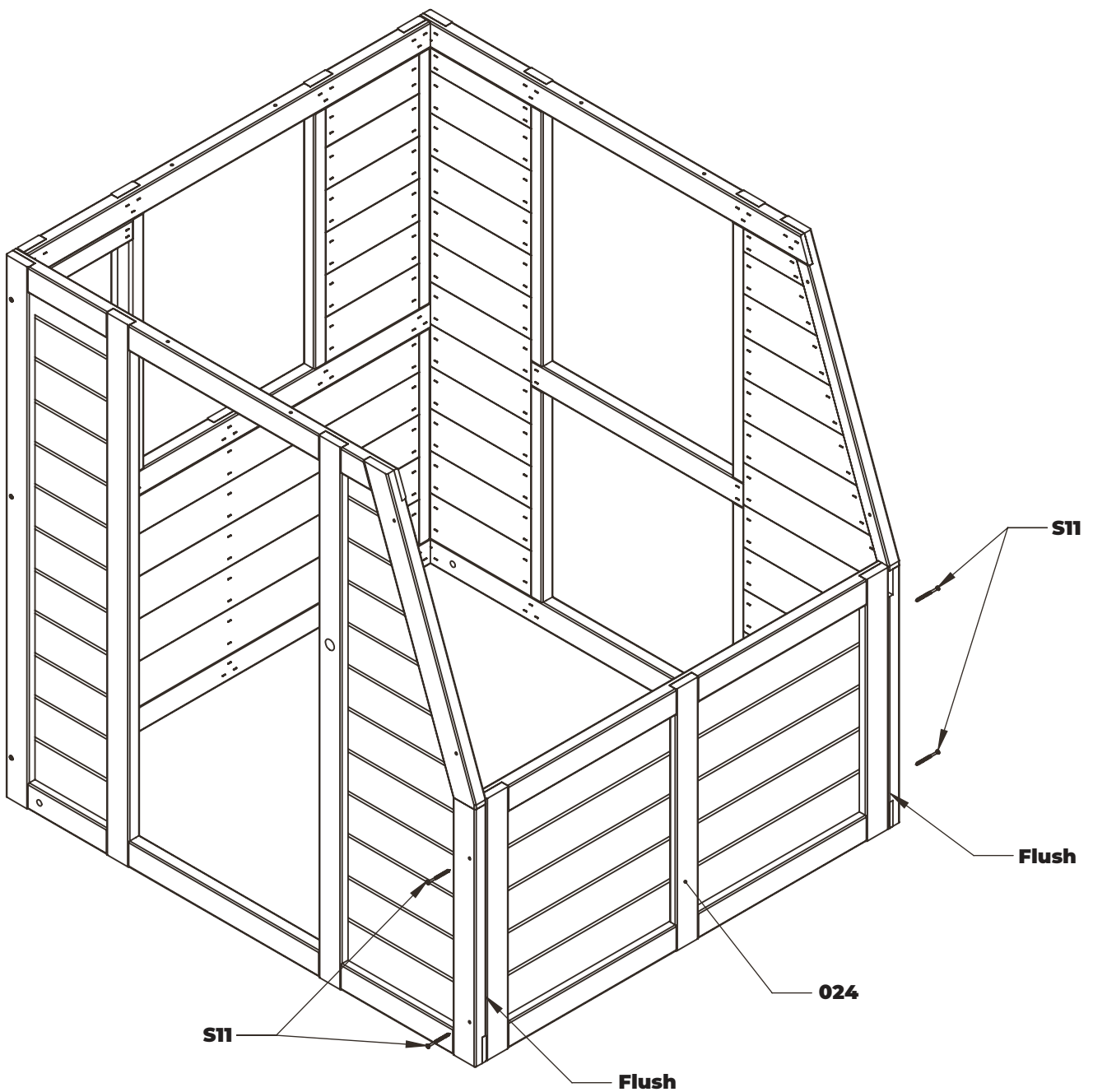
Step 2

Wood Parts

024 Right Wall
(x1) - 1" x 36" x 20 5/16"

Hardware

S11 Wood Screw
(x4) - #8 x 2"



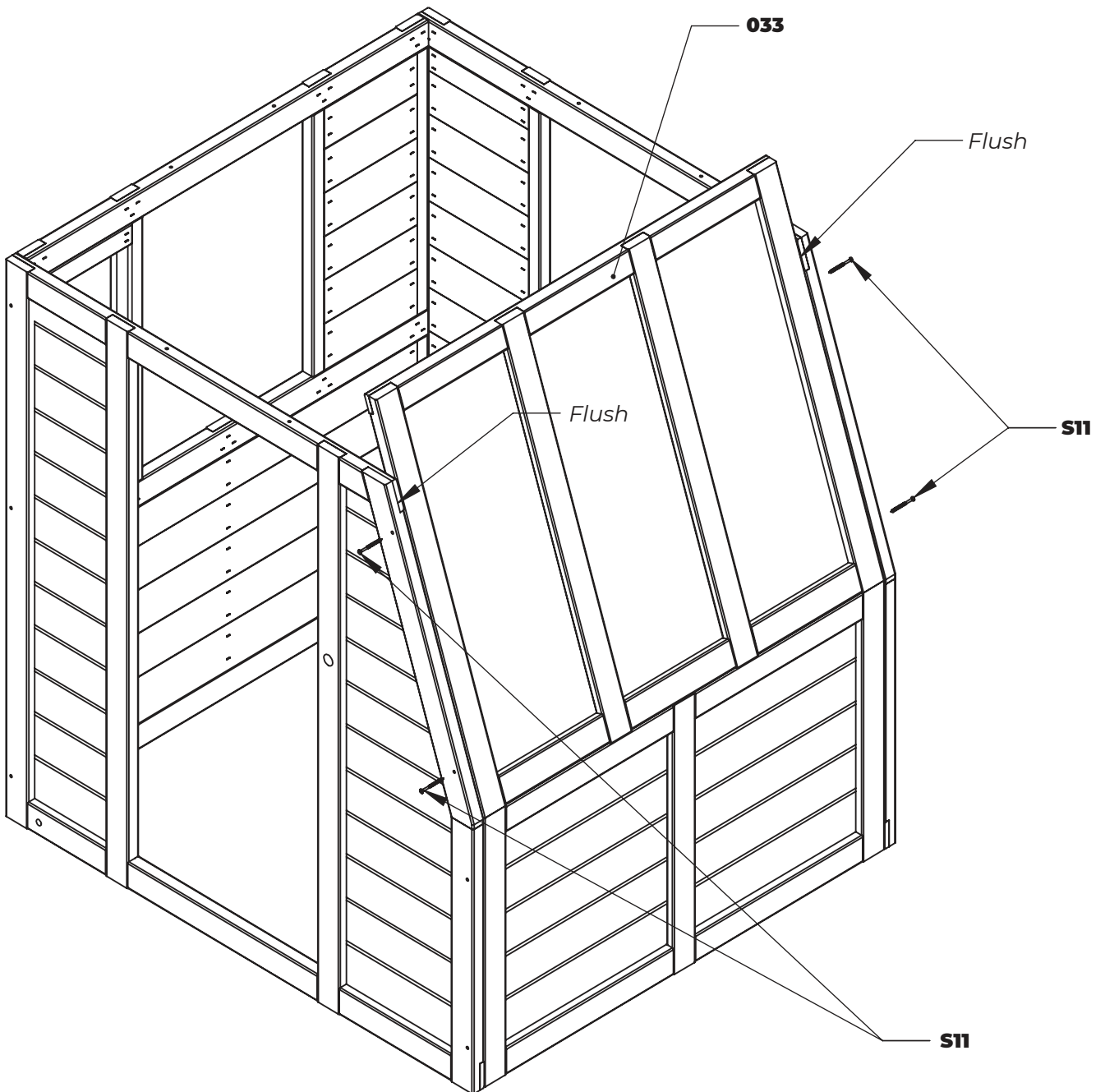
Step 3

Wood Parts

033 Window
(x1) - 1" x 28 3/4" x 36"

Hardware

S11 Wood Screw
(x4) - #8 x 2"



Step 4

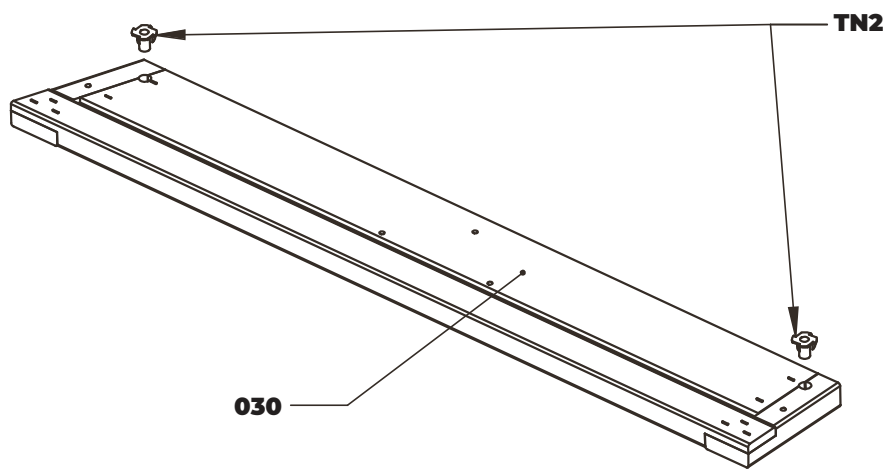
Wood Parts

030 Small Front Wall
(x1) - 1" x 3/4 1/8" x 5"

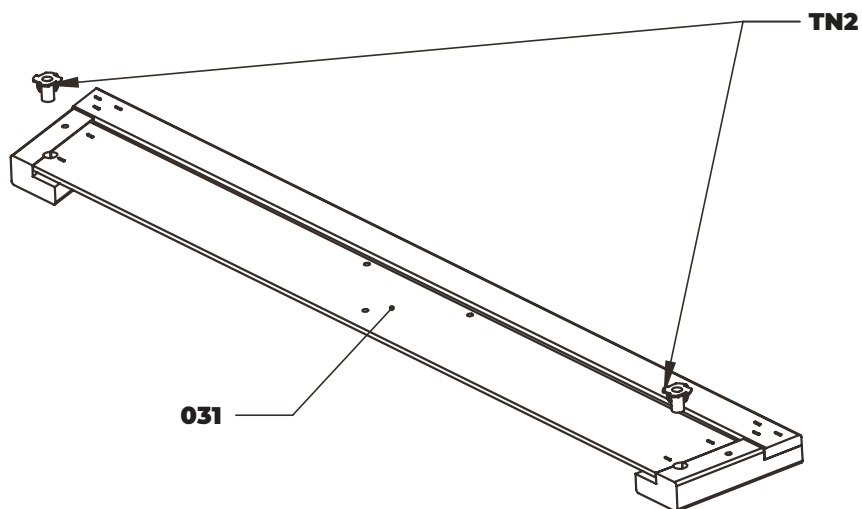
031 Small Back Wall
(x1) - 1" x 3/4 1/8" x 5"

Hardware

TN2 Tee Nut
(x4) - 5/16"



Assemble T-Nuts first with hammer!



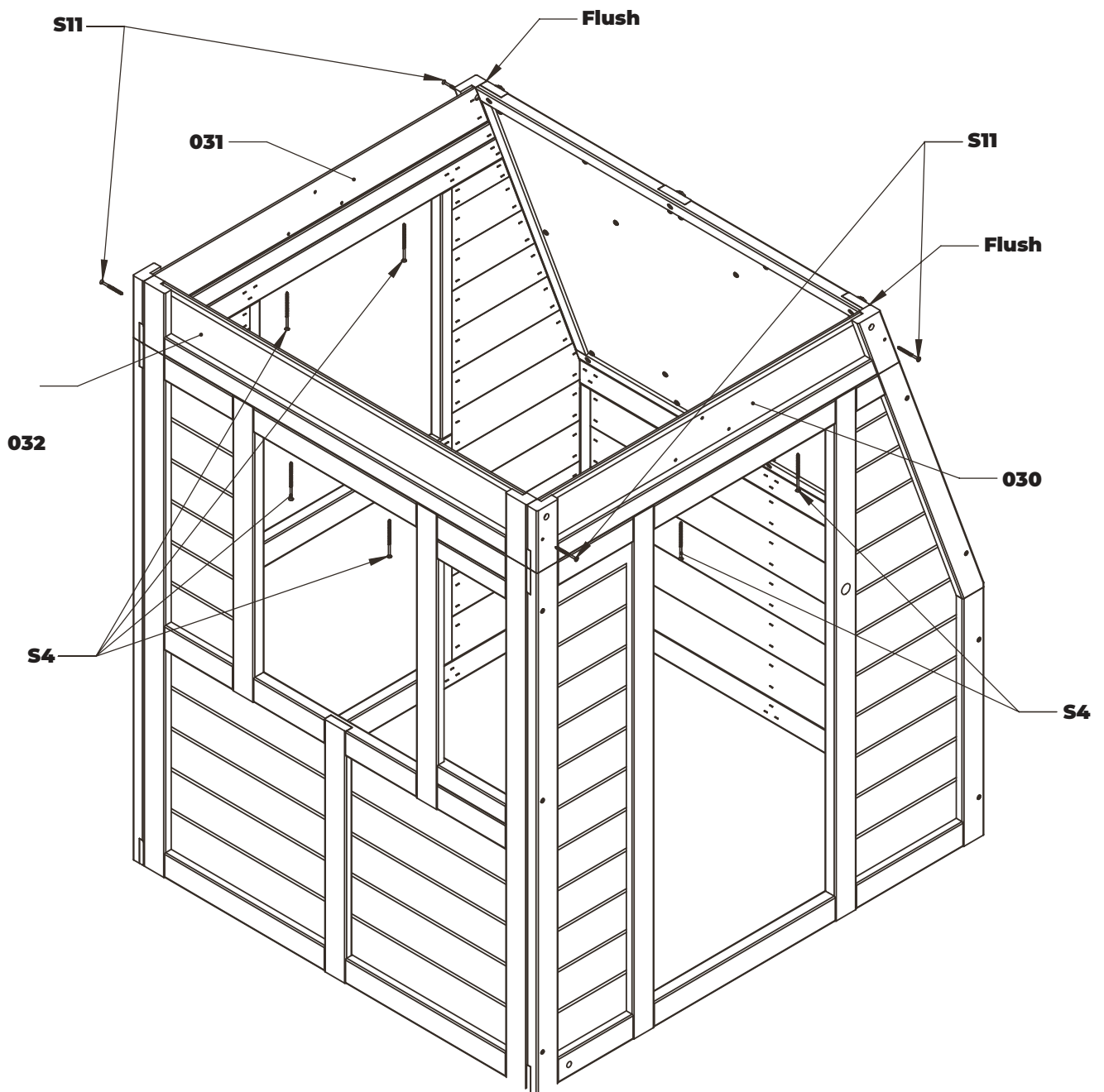
Step 5

Wood Parts

- 030** Small Front Wall
(x1) - 1" x 34 1/8" x 5"
- 031** Small Back Wall
(x1) - 1" x 34 1/8" x 5"
- 032** Small Left Wall
(x1) - 1" x 36" x 5"

Hardware

- S4** Wood Screw
(x6) - #8 x 3"
- S11** Wood Screw
(x4) - #8 x 2"



Step 6

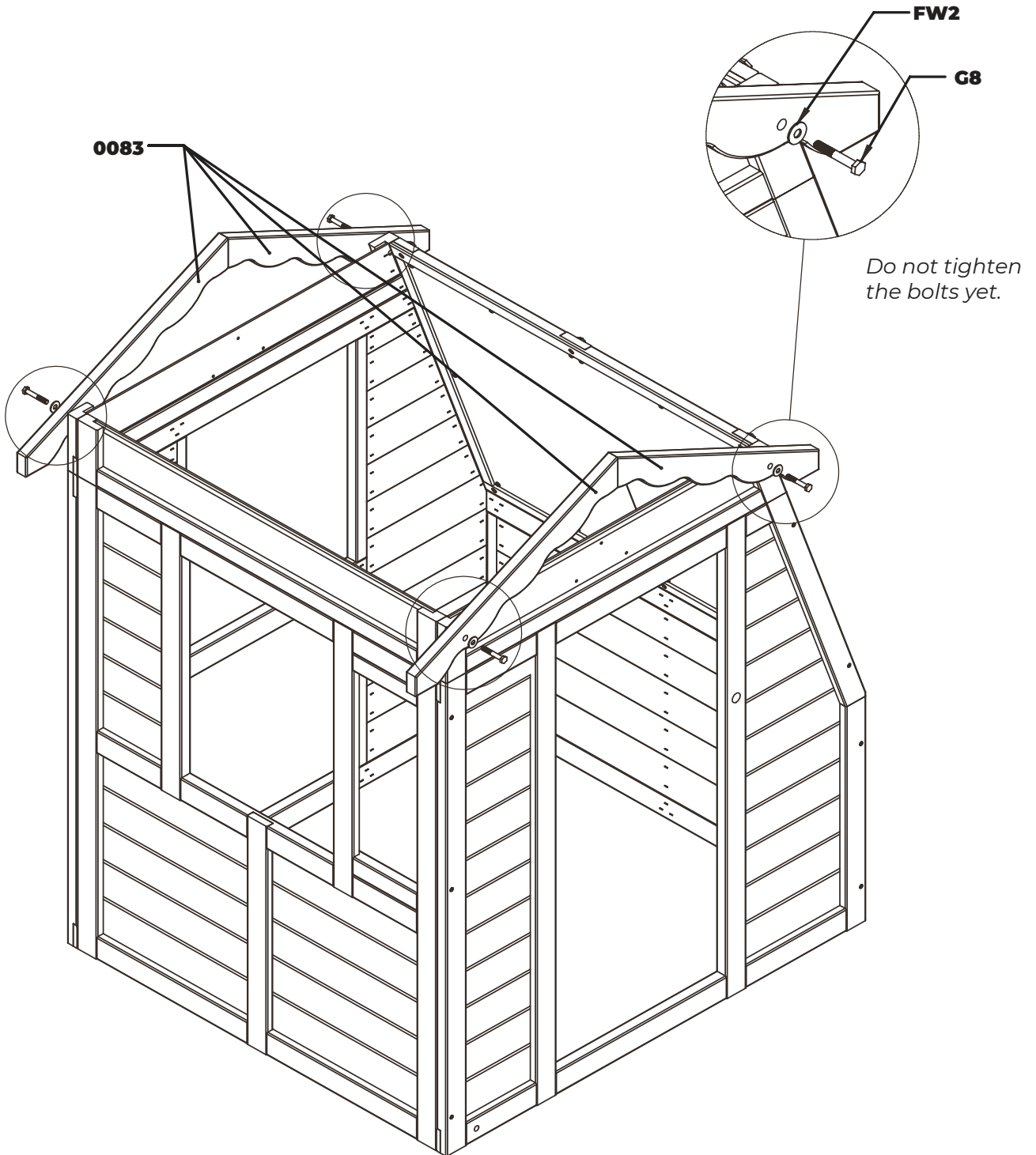
Wood Parts

0083 Roof Side
(x4) - 1" x 2 1/2" x 23 1/6"

Hardware

G8 Hex Bolt
(x4) - 5/16 x 2"

FW2 Washer Flat
(x4) - 5/16"



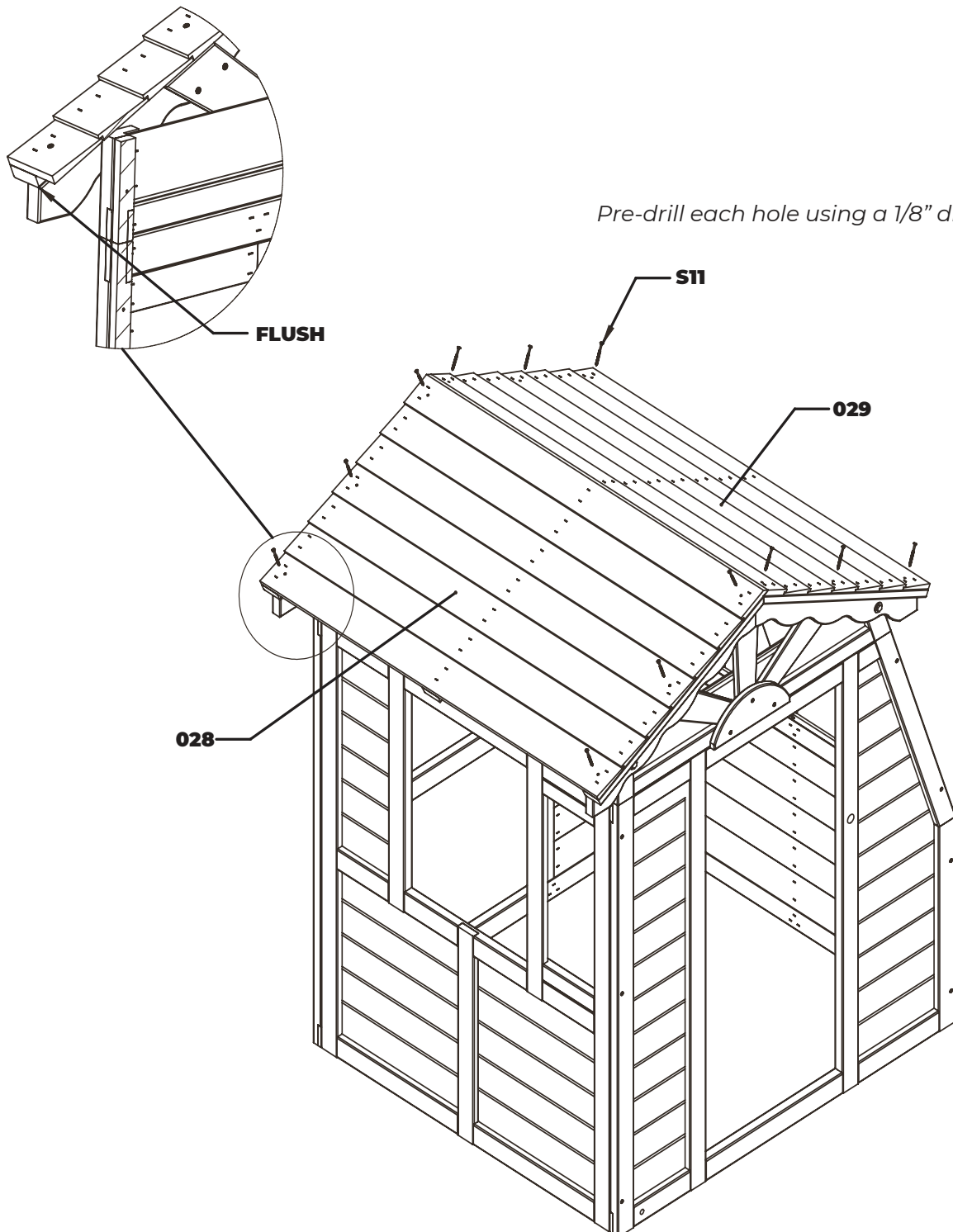
Step 8

Wood Parts

- 028** Roof Panel A
(x1) - 1 1/4" x 42" x 23 5/16"
- 029** Roof Panel B
(x1) - 1 1/4" x 42" x 22 11/16"

Hardware

- S11** Wood Screw
(x12) - #8 x 2"



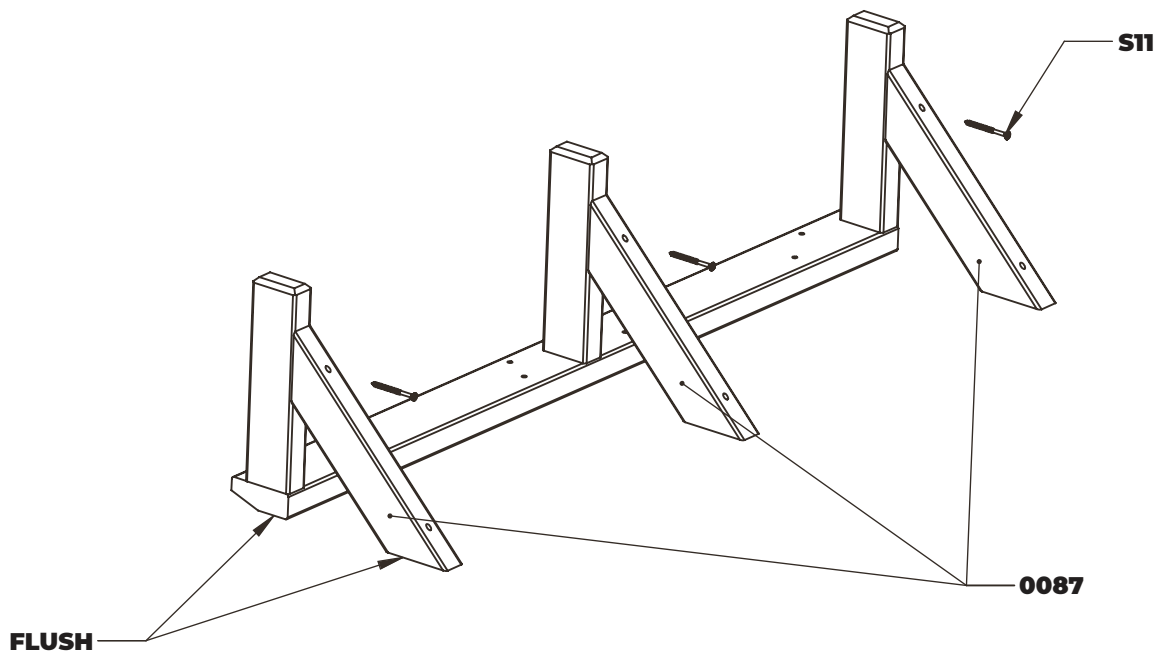
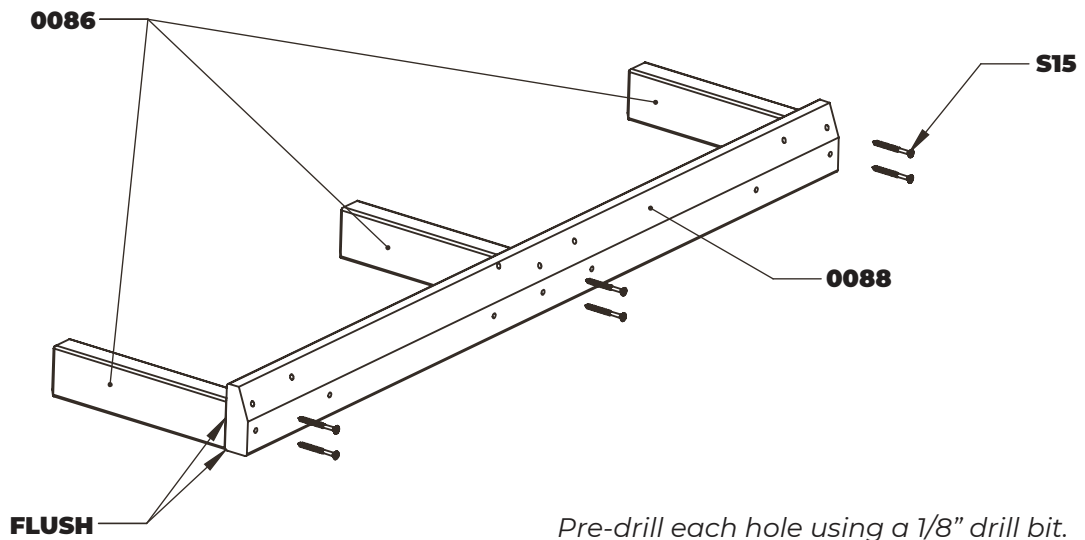
Step 9

Wood Parts

- 0086** Table Cross Brace
(x3) - 1" x 2" x 8"
- 0087** Table Brace
(x3) - 1" x 2" x 10 7/16"
- 0088** Table Back
(x1) - 1" x 3" x 35 15/16"

Hardware

- S11** Wood Screw
(x3) - #8 x 2"
- S15** Wood Screw
(x6) - #8 x 1-3/4"

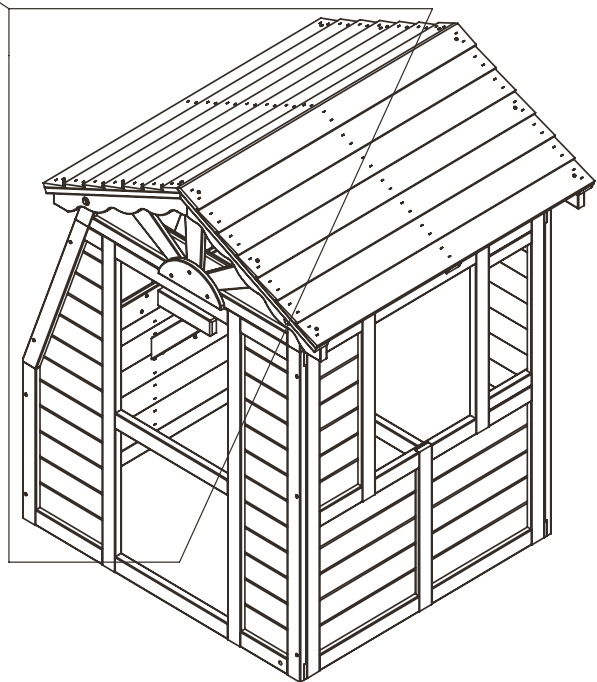
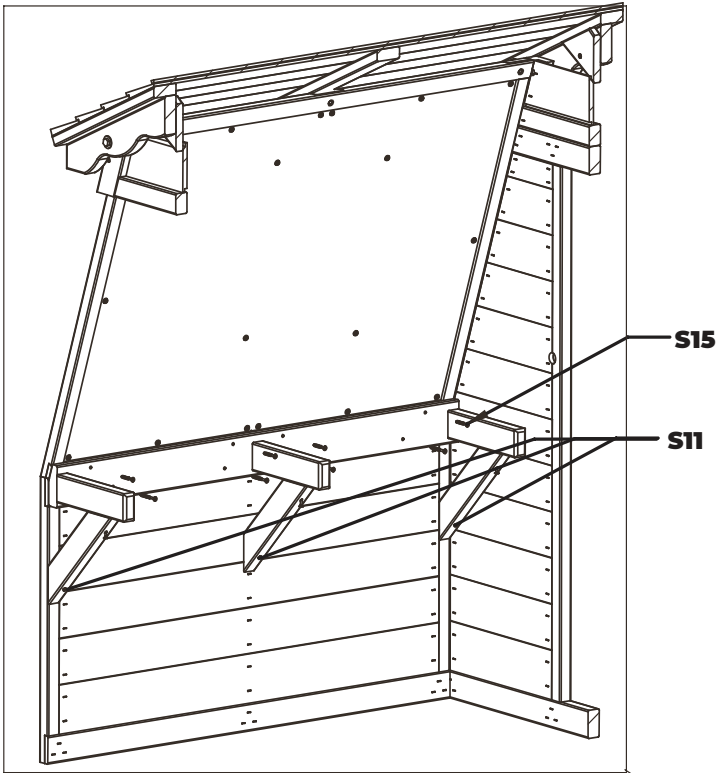


Step 10

Hardware

S11 Wood Screw
(x3) - #8 x 2"

S15 Wood Screw
(x8) - #8 x 1-3/4"



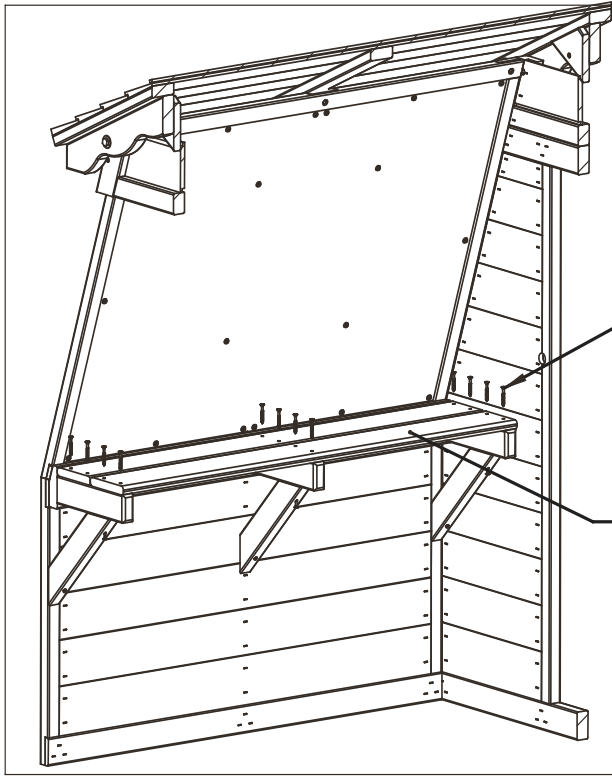
Step 11

Wood Parts

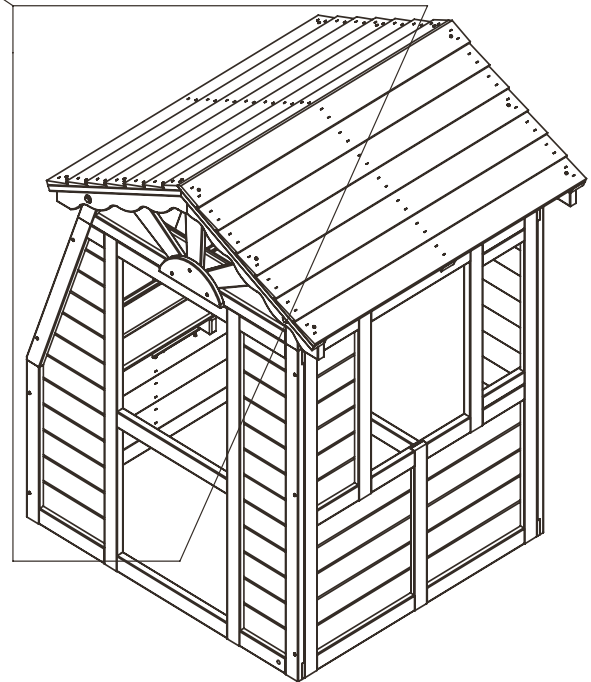
0089 Table Top
(x2) - 5/8" x 4" x 36"

Hardware

S20 Wood Screw
(x12) - #8 x 1-3/8"



Pre-drill each hole using a 1/8" drill bit.



Step 12

Wood Parts

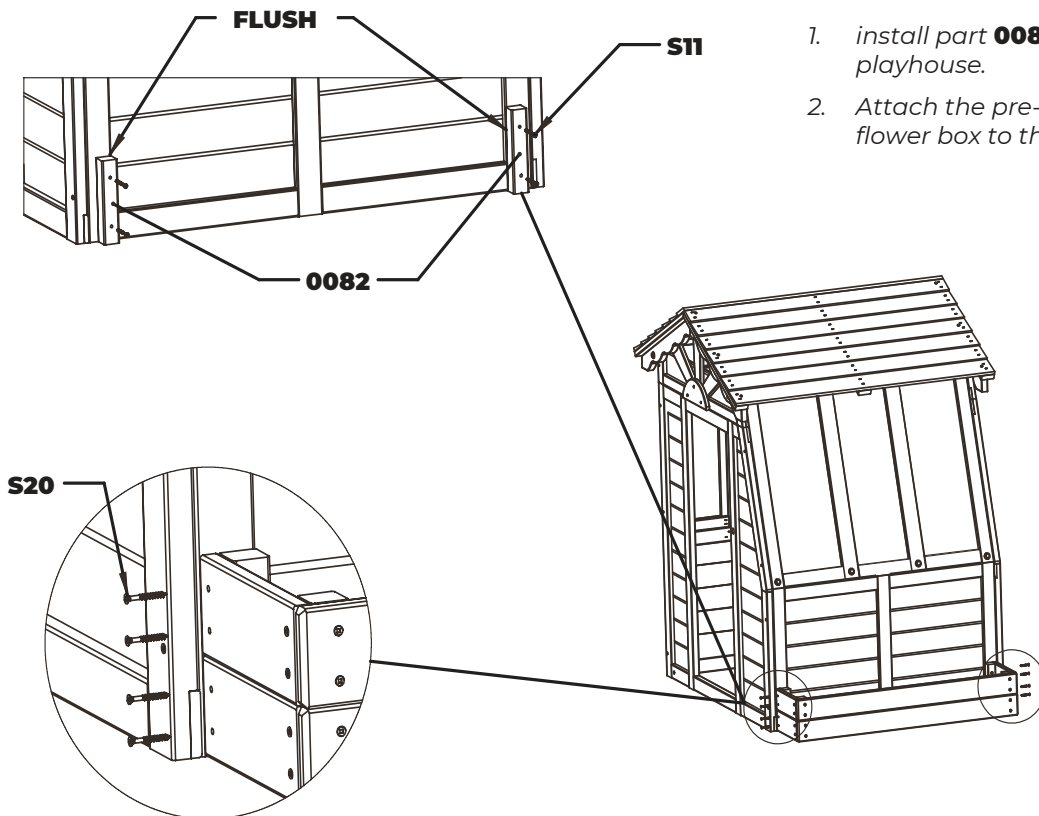
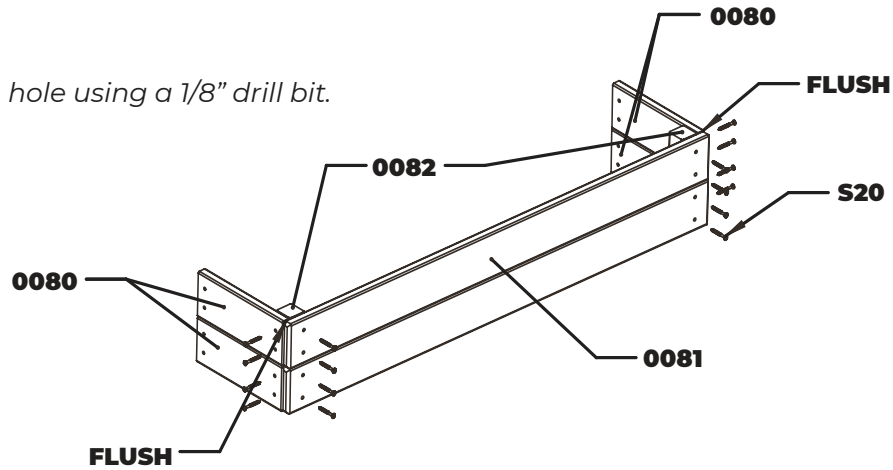
- 0080** Flower bed side panel
(x4) - 5/8" x 3" x 7 7/8"
- 0081** Flower bed front plate
(x2) - 5/8" x 3" x 35 3/4"
- 0082** Joint bar
(x4) - 1 1/4" x 1 1/4" x 6"

Hardware

- S11** Wood Screw
(x4) - #8 x 2"
- S20** Wood Screw
(x24) - #8 x 1-3/8"

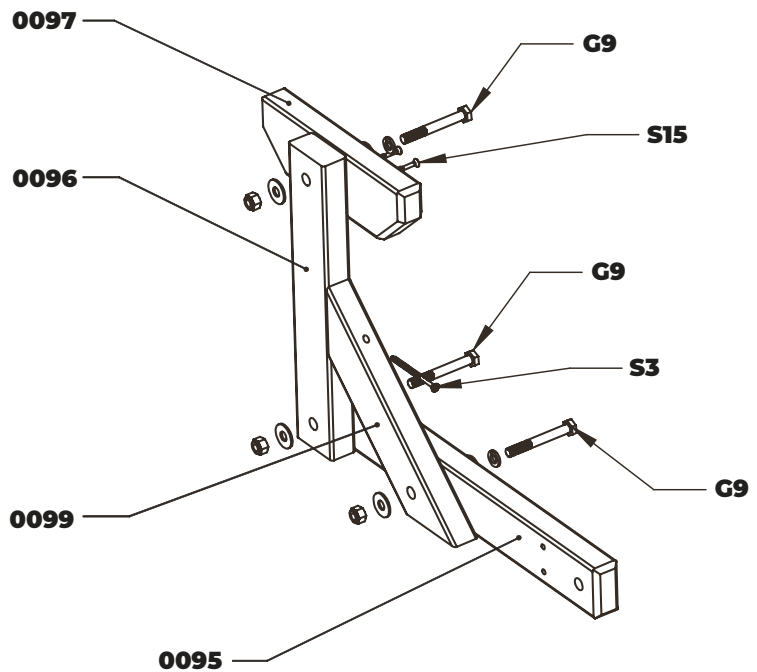
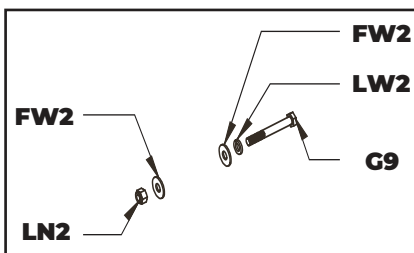
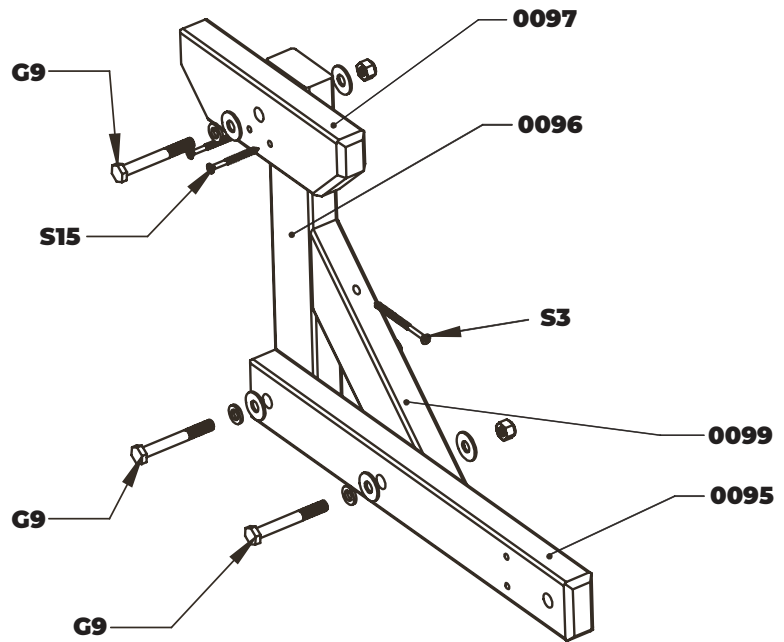
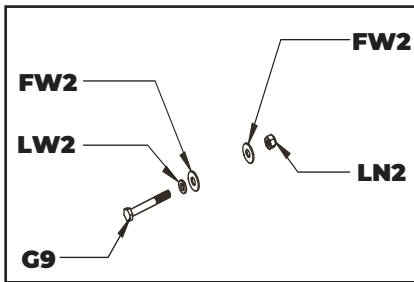


Pre-drill each hole using a 1/8" drill bit.



Step 13

Wood Parts	Hardware	
0095 Bench Cross Brace B (x2) - 1" x 2" x 15 11/16"	S3 Wood Screw (x2) - #8 x 2-1/2"	S15 Wood Screw (x4) - #8 x 1-3/4"
0096 Bench Leg (x2) - 1" x 2" x 11 13/16"	G9 Hex Bolt (x6) - 5/16 x 2-1/2"	LN2 Lock Nut (x6) - 5/16"
0097 Bench Top Support (x2) - 1" x 2 1/2" x 8"	FW2 Washer Flat (x12) - 5/16"	
0099 Bench Brace (x2) - 1" x 2" x 9 13/16"	LW2 Washer Lock (x6) - 5/16"	



Step 14

Wood Parts

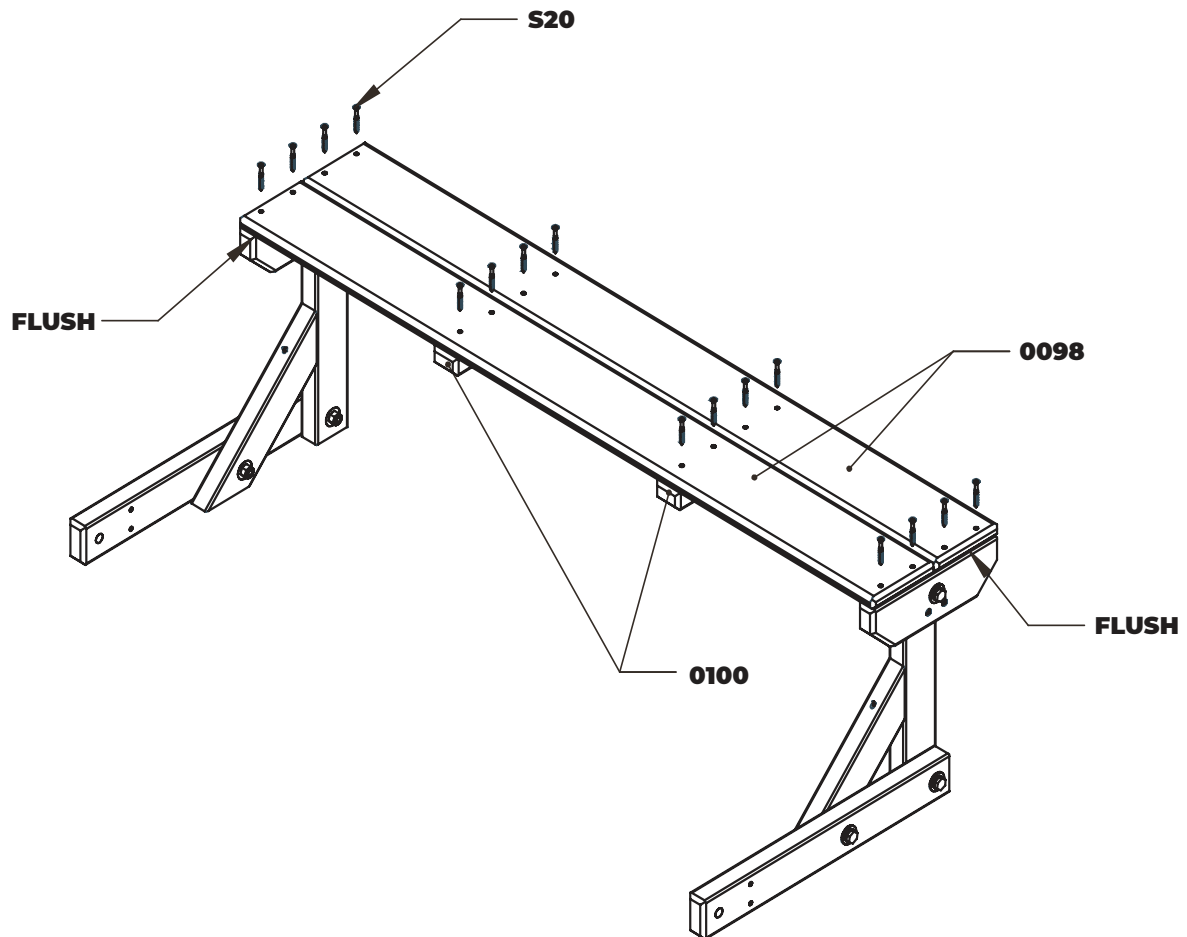
- 0098** Bench Top
(x2) - 5/8" x 4" x 40"
- 0100** Bench Cross Brace A
(x2) - 15/16" x 1 1/2" x 8"

Hardware

- S20** Wood Screw
(x16) - #8 x 1-3/8"



Pre-drill each hole using a 1/8" drill bit.



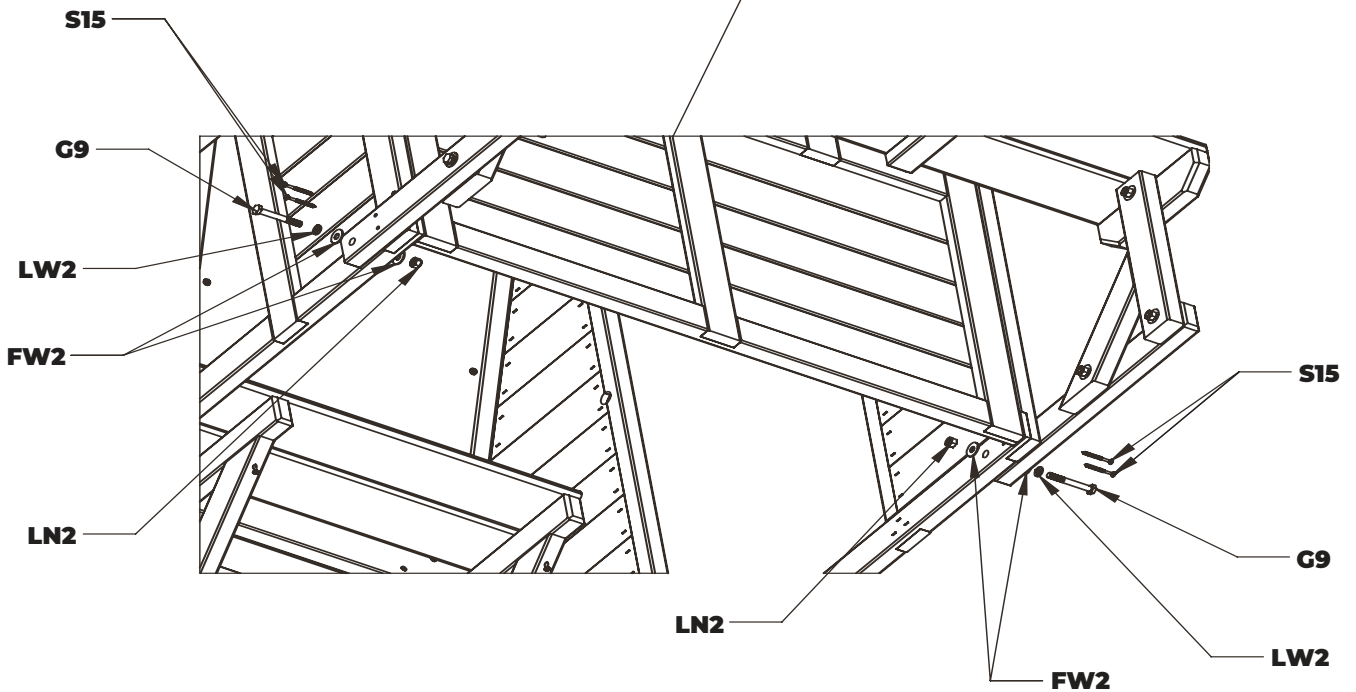
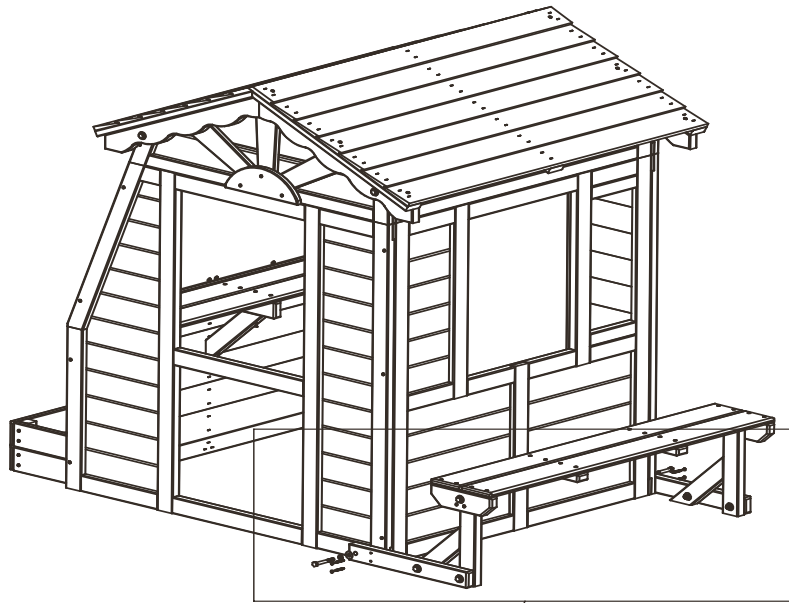
Step 15

Hardware

G9 Hex Bolt
(x2) - 5/16 x 2-1/2"
S15 Wood Screw
(x4) - #8 x 1-3/4"

FW2 Washer Flat
(x4) - 5/16"
LW2 Washer Lock
(x2) - 5/16"

LN2 Tee Nut
(x2) - 5/16"



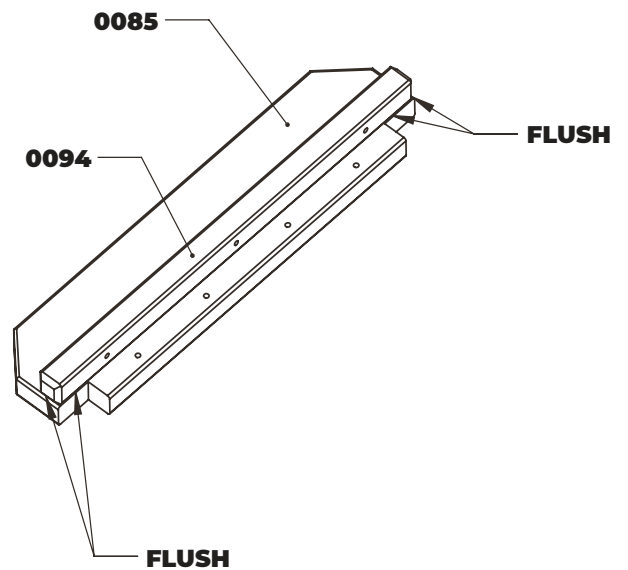
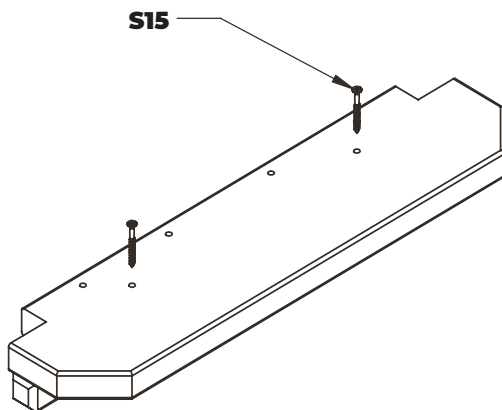
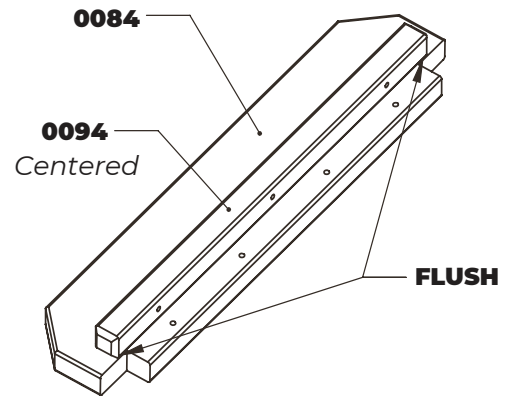
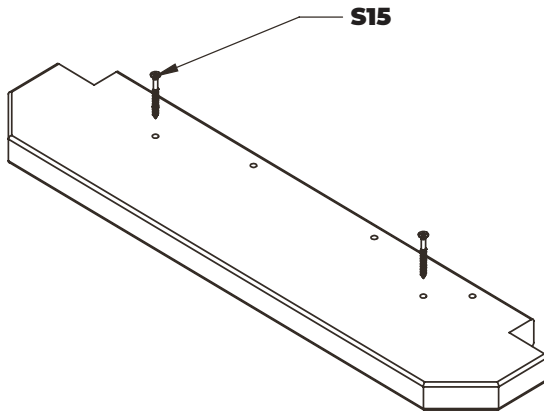
Step 16

Wood Parts

- 0084** Cafe Table Top B
(x1) - 15/16" x 4 1/2" x 20"
- 0085** Cafe Table Top A
(x1) - 15/16" x 4 1/2" x 18 1/4"
- 0094** Counter Top
(x2) - 1" x 1" x 18 1/4"

Hardware

- S15** Wood Screw
(x4) - #8 x 1-3/4"



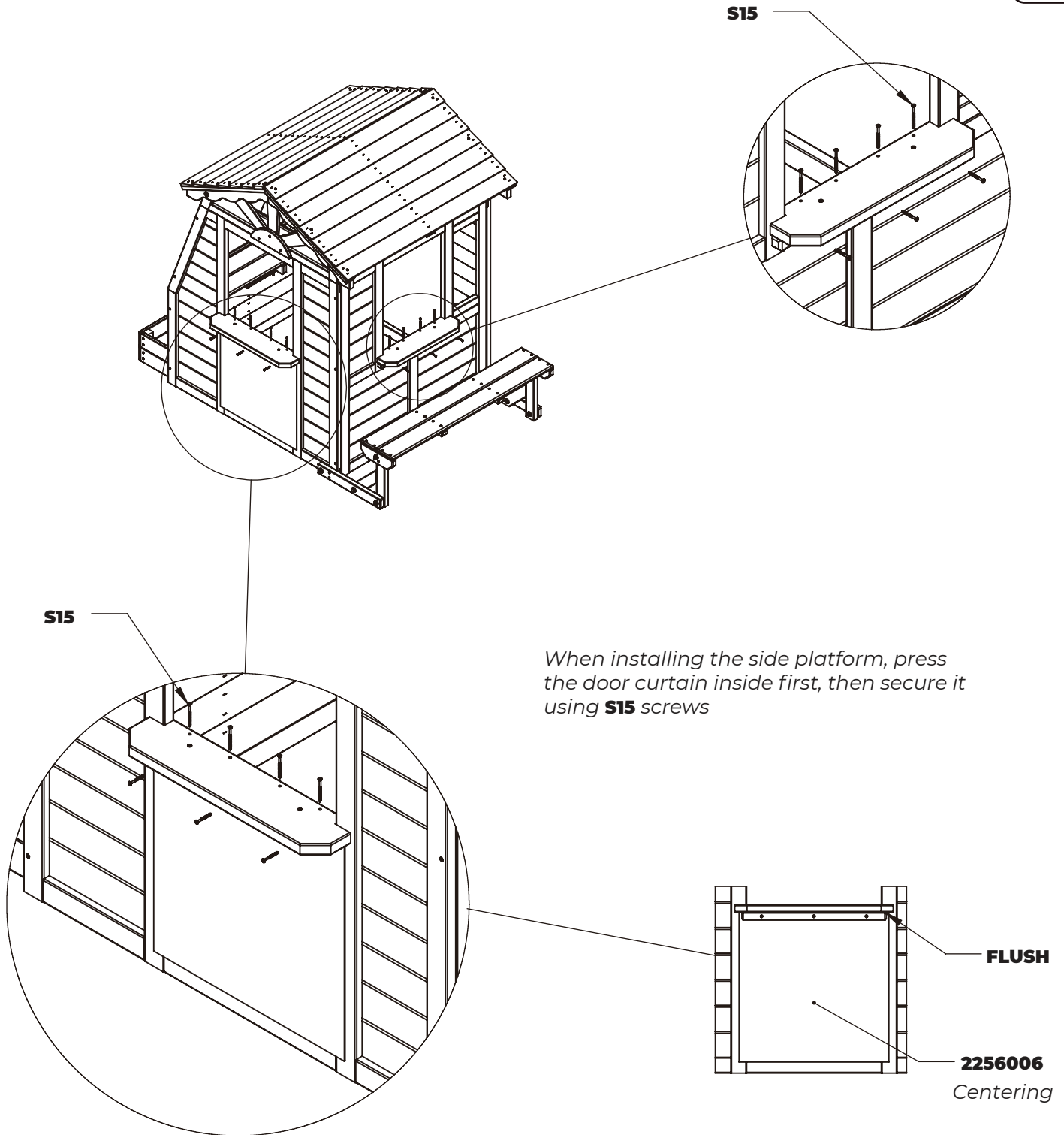
Step 17

Hardware

S15 Wood Screw
(x14) - #8 x 1-3/4"

Accessory

2256006
Small Door Curtain (x1)



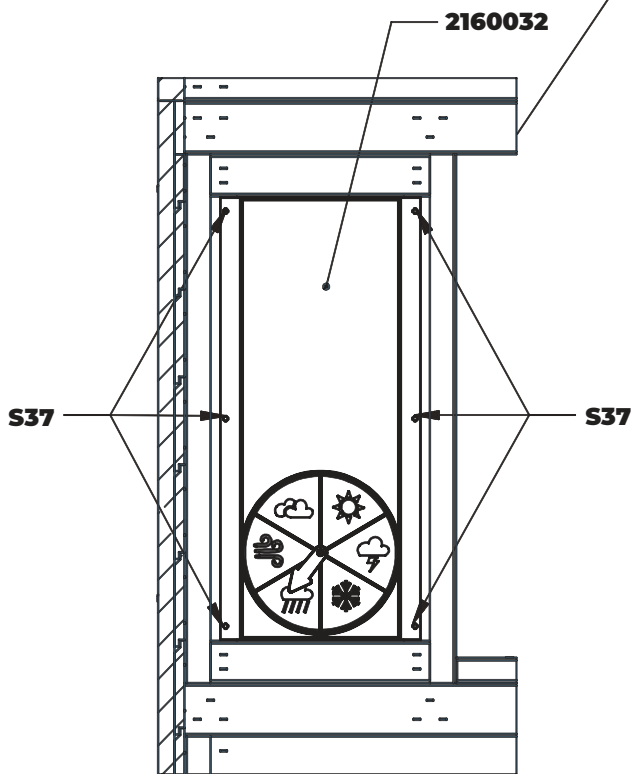
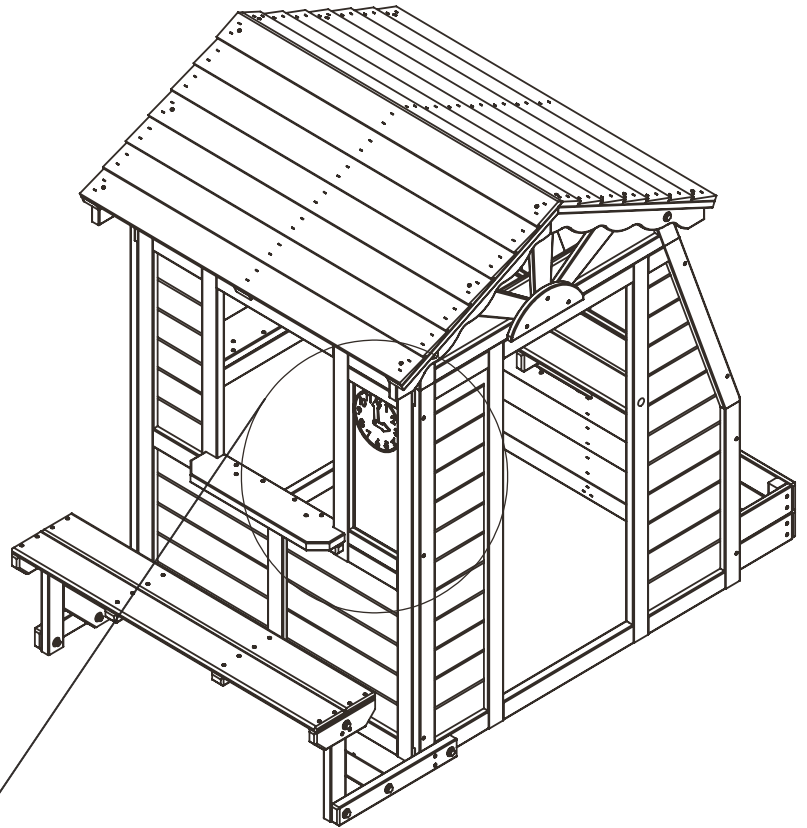
Step 18

Hardware

S37 Pan Screw
(x6) - #7 x 5/8"

Accessory

2160032
Chalk Clock Sign (x1)



Back

Step 19

Hardware

S0 Truss Head Screw
(x2) - #8 x 7/8"

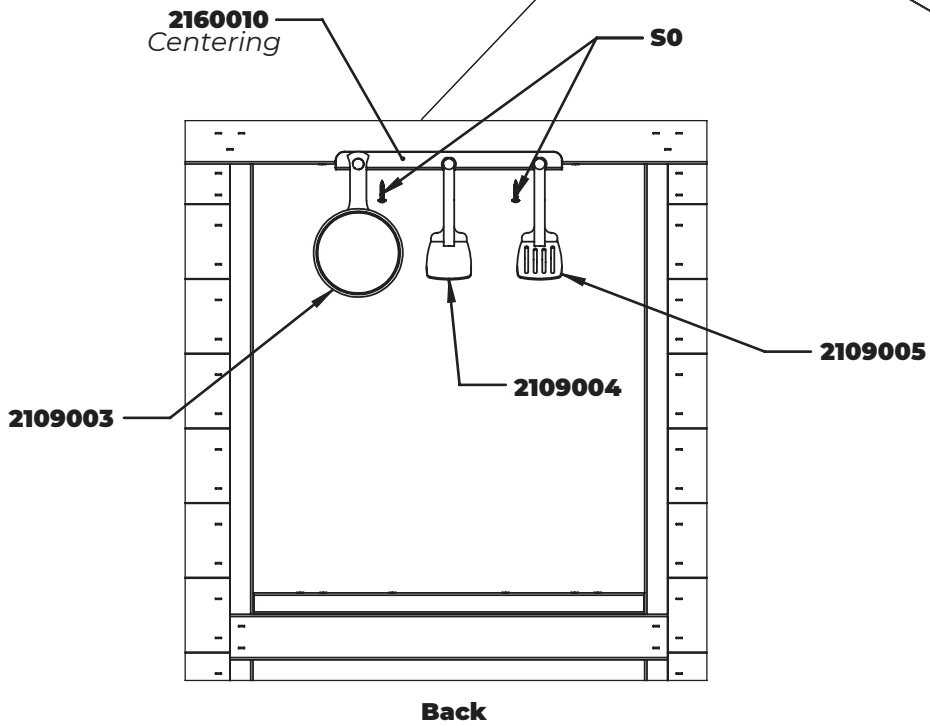
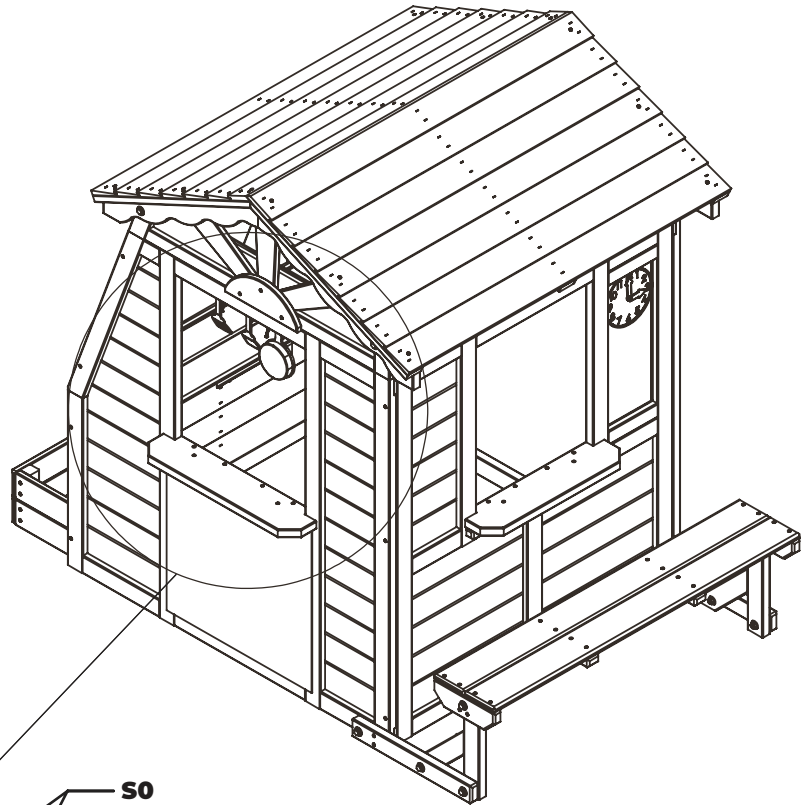
Accessory

2109003
Kitchen Pan (x1)

2109004
Kitchen Spatula (x1)

2109005
Kitchen Leak Shovel (x1)

2160010
Kitchen Ware hook (x1)



Step 20

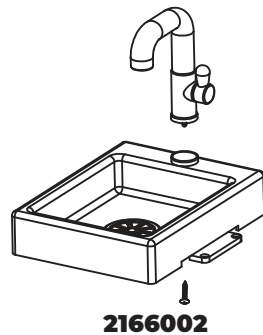
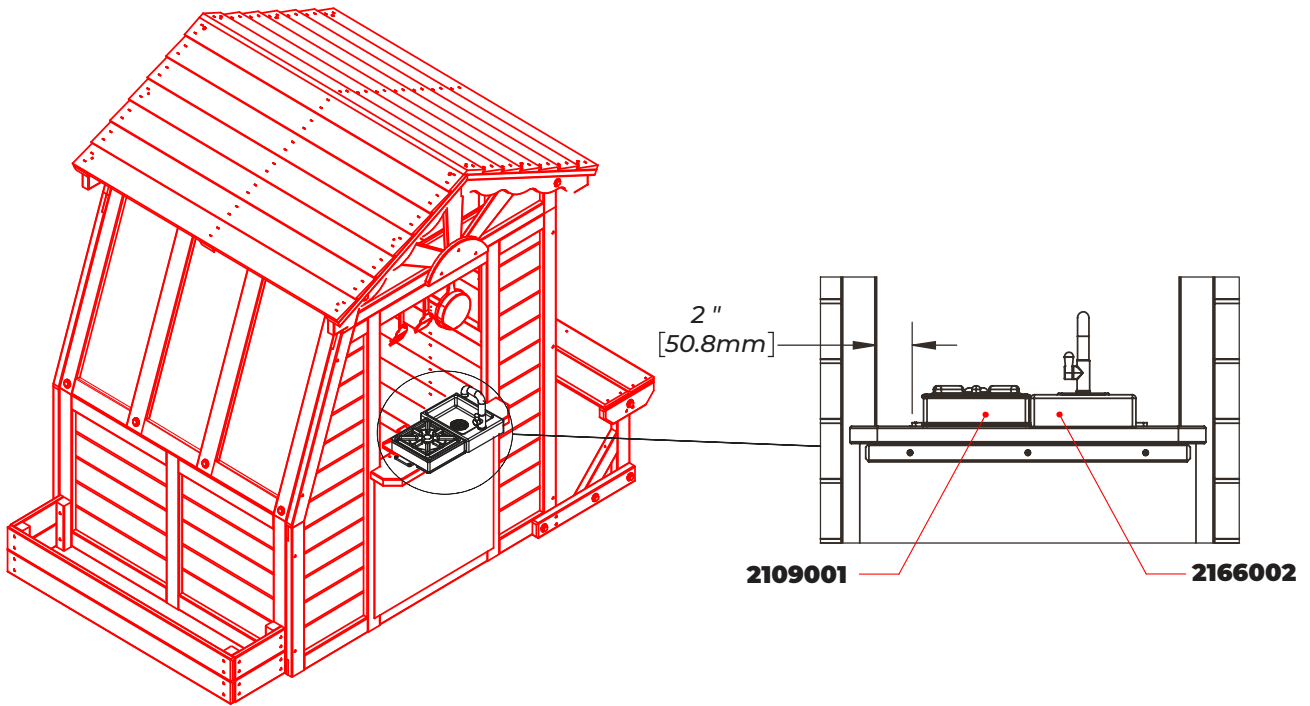
Hardware

S0 Truss Head Screw
(x6) - #8 x 7/8"

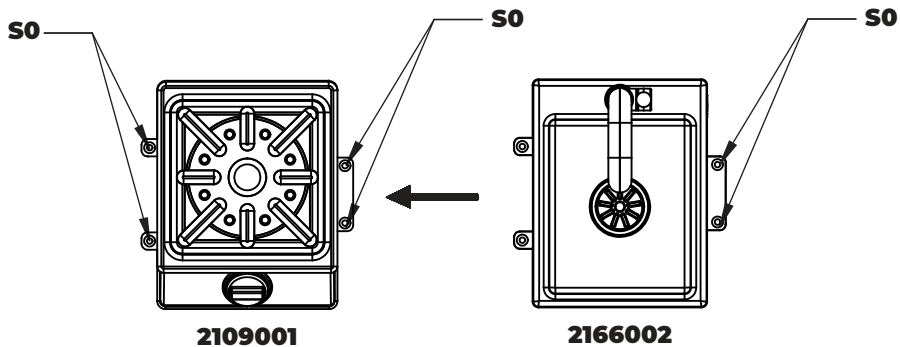
Accessory

2109001
Kitchen Stove (x1)

2166002
Kitchen Sink (x1)



1. First, install the **2166002** faucet on the sink using the screws provided in the package.
2. Center part **2109001** on the platform, 2 inch from the edge, and secure it using four **S0** screws.
3. Insert part **2166002** into the reserved slot of **2109001**. Ensure the two parts are tightly fitted and aligned front and back, and secure them with two **S0** screws.



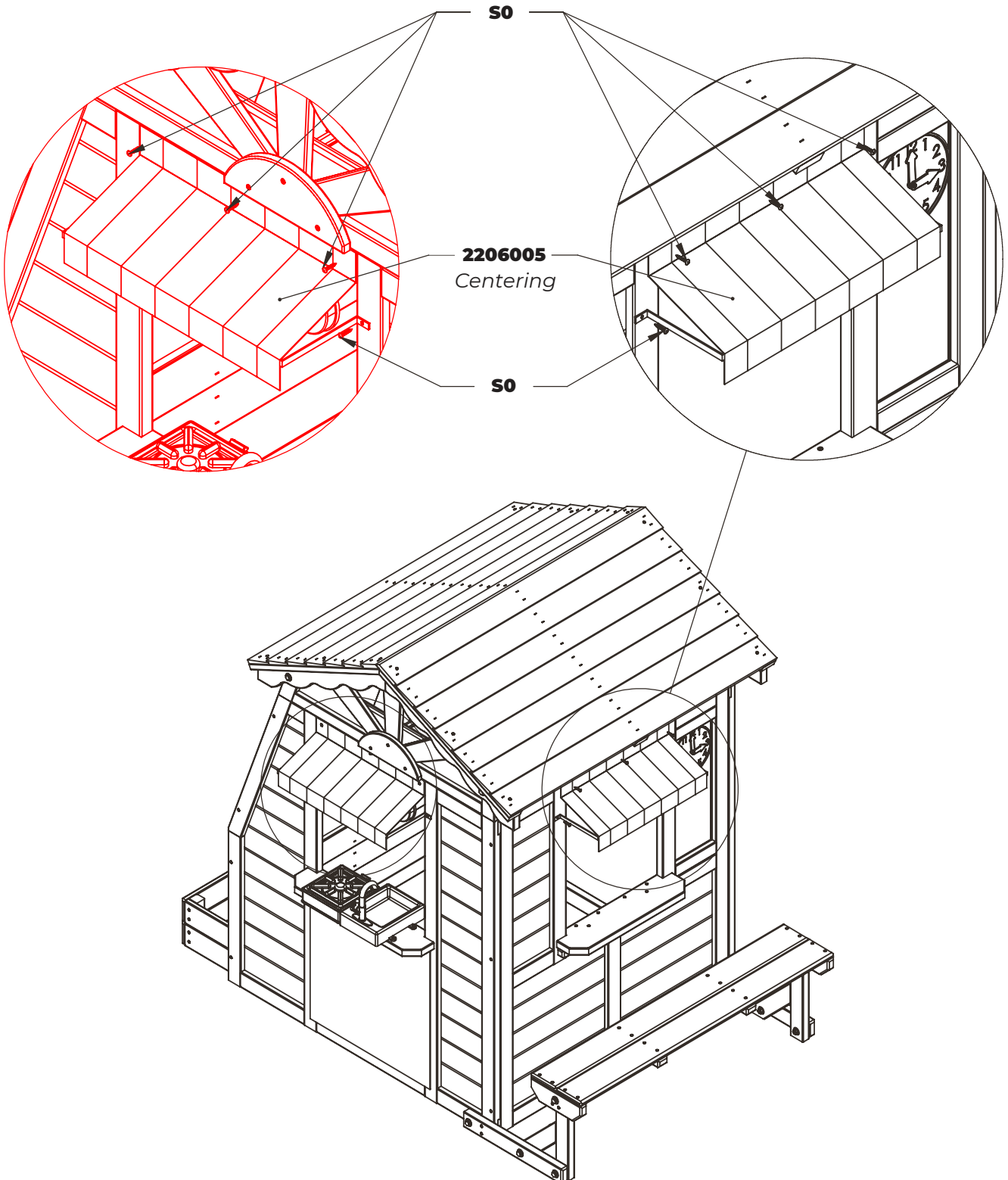
Step 21

Hardware

S0 Truss Head Screw
(x10) - #8 x 7/8"

Accessory

2206005
Fabric Roof E (x2)



Step 22

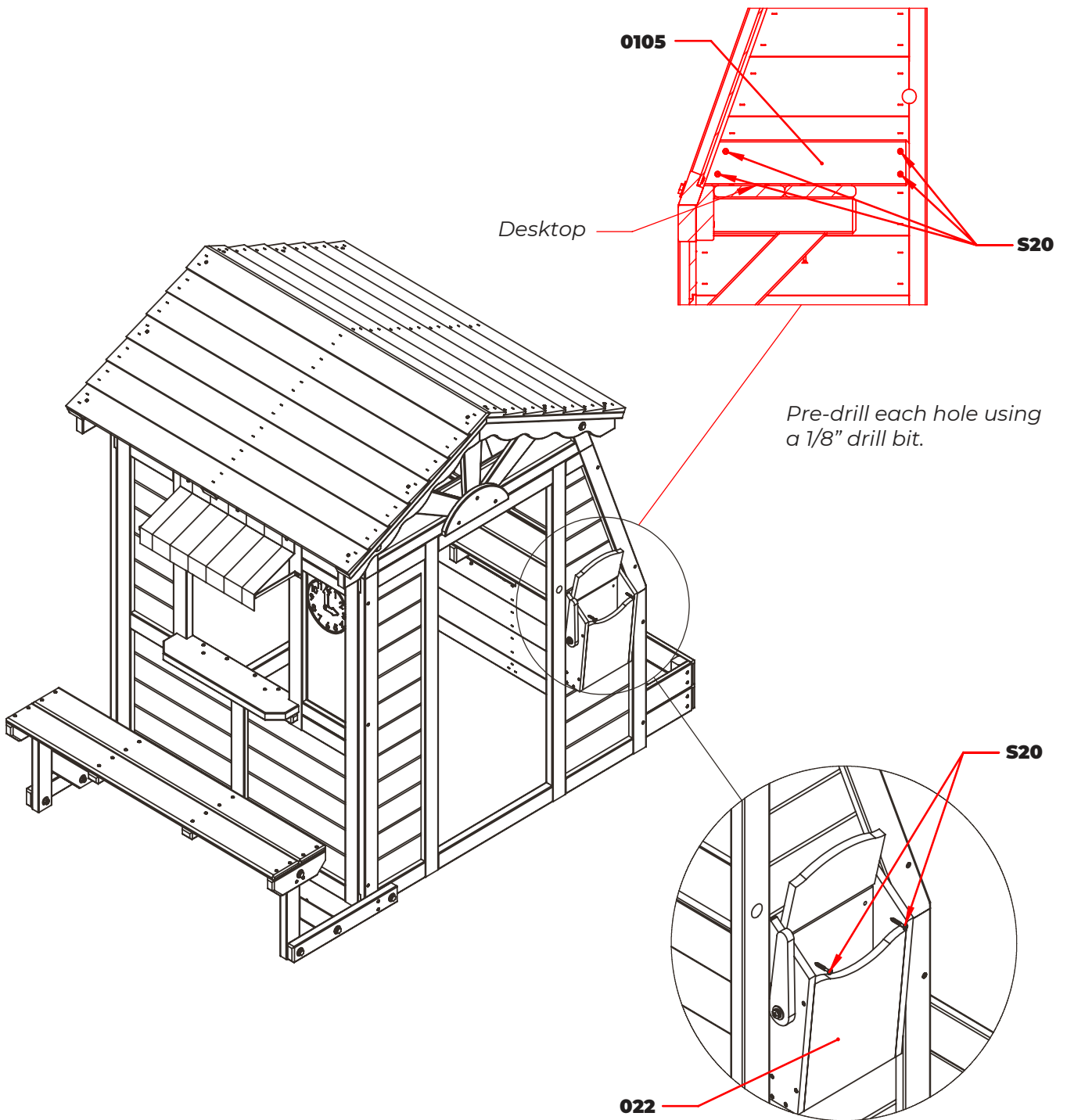
Wood Parts

0105 Connecting Plate
(x1) - 5/8" x 2 1/2" x 11 9/16"

022 Letter Box
(x1) - 3 3/4" x 8 9/16" x 11 7/16"

Hardware

S20 Wood Screw
(x6) - #8 x 1-3/8"



Step 23

Wood Parts

0101 Flower Box Front
(x1) - 5/8" x 4" x 13 7/8"

0102 Flower Box Bottom
(x1) - 1" x 4" x 13 7/8"

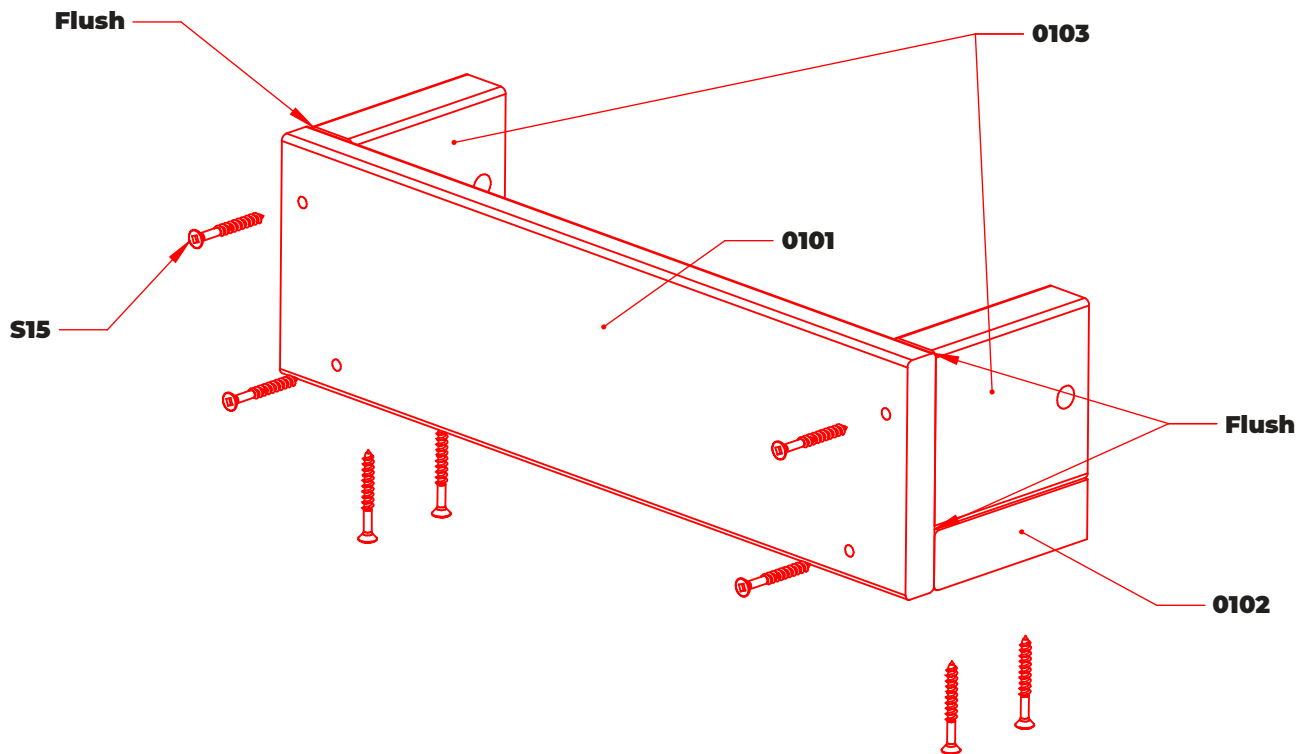
0103 Flower Box Side
(x2) - 15/16" x 3" x 3 3/8"

Hardware

S15 Wood Screw
(x8) - #8 x 1-3/8"



Pre-drill each hole using a 1/8" drill bit.



Step 24

Wood Parts

0104 Flower Box Joint
(x2) - 1" x 1" x 3"

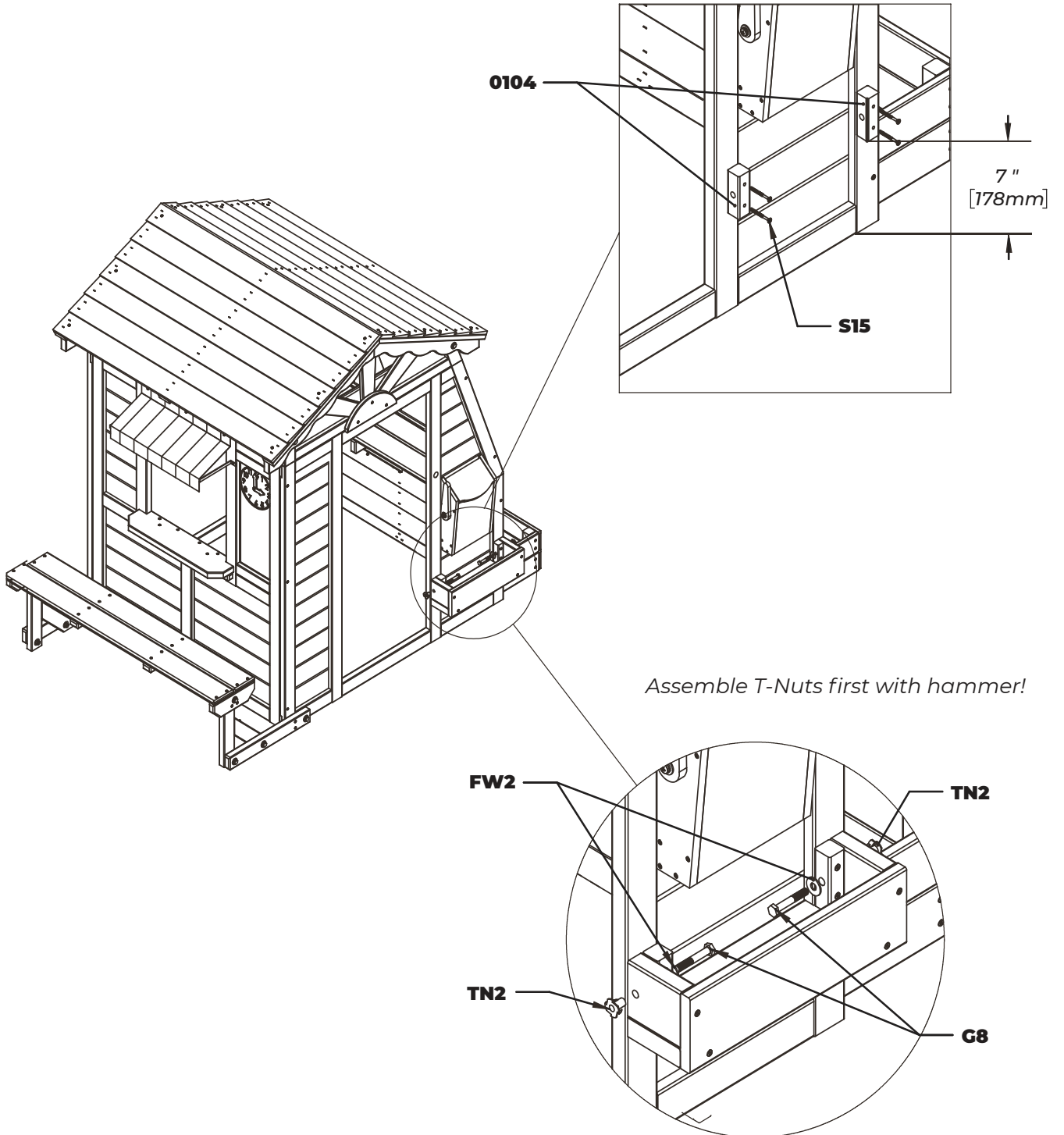
Hardware

S15 Wood Screw
(x4) - #8 x 1-3/4"

G8 Hex Bolt
(x2) - 5/16 x 2"

FW2 Washer Flat
(x2) - 5/16"

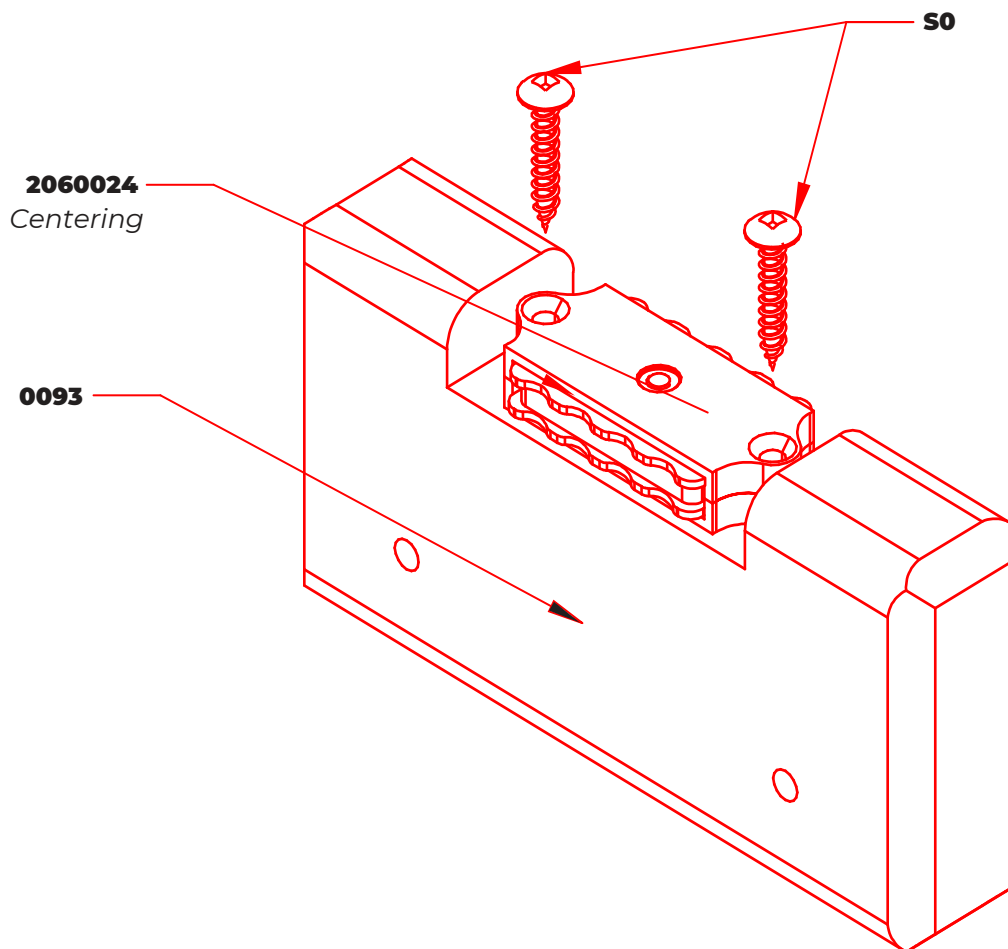
TN2 Tee Nut
(x2) - 5/16"



Step 25

Wood Parts	Hardware	Accessory
0093 Door Latch Block (x2) - 1" x 2 1/2" x 5"	S0 Truss Head Screw (x4) - #8 x 7/8"	2060024 Magnetic Catch(wave) (x2)

Repeat this step two times



Step 26

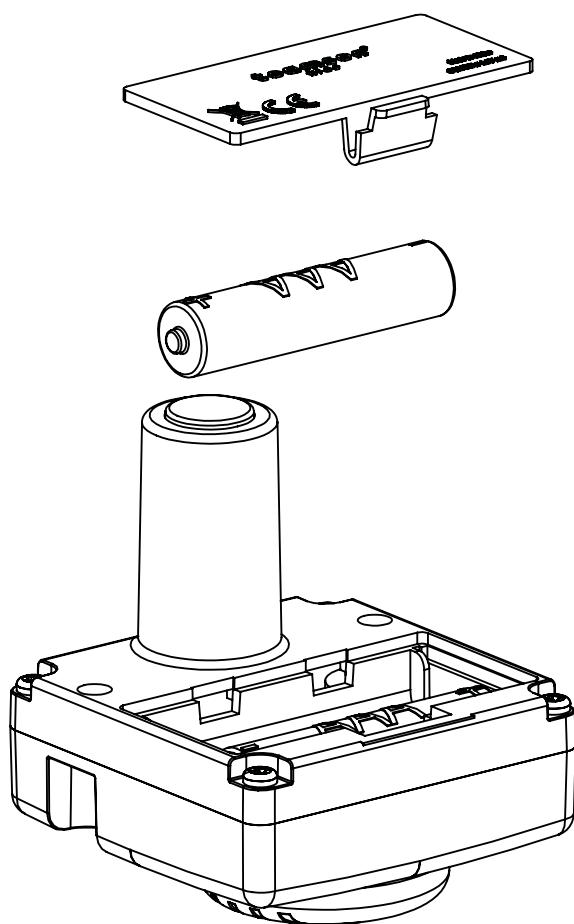
Accessory

2109017

Door Bell (x1)

Battery Replacement Instructions:

- Use a screwdriver to remove the battery cover.
- Replace the batteries with two (2) AAA button cell batteries, ensuring they are installed with the correct polarity (+/-).
- Securely reattach the battery cover and tighten the screws. Ensure the compartment is properly sealed before use.



Notes:

- Do not mix old and new batteries.
- Do not use different types of batteries (e.g., alkaline, rechargeable, carbon-zinc).
- Non-rechargeable batteries must not be recharged.
- Remove exhausted batteries from the product immediately to prevent leakage.
- If the toy will not be used for a long time, remove all batteries.
- Do not short-circuit the supply terminals.

Battery Safety Warnings:

1. Keep batteries out of reach of children.
2. Swallowing batteries can cause serious injury or death in as little as two hours due to chemical burns or perforation of the esophagus.
3. If a button battery is swallowed, seek urgent medical attention immediately.
4. Ensure the battery compartment is securely fastened. Do not use if the compartment is loose or improperly secured.
5. Dispose of used batteries responsibly and safely; flat batteries can still pose hazards.
6. Educate children on the dangers of button batteries and how to handle them safely.

Step 27

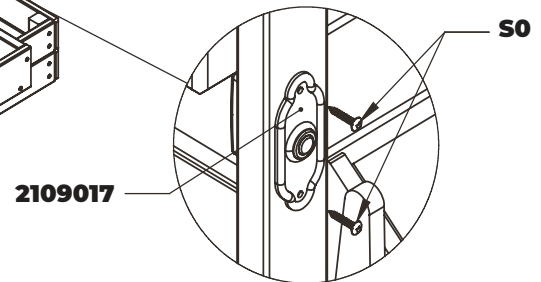
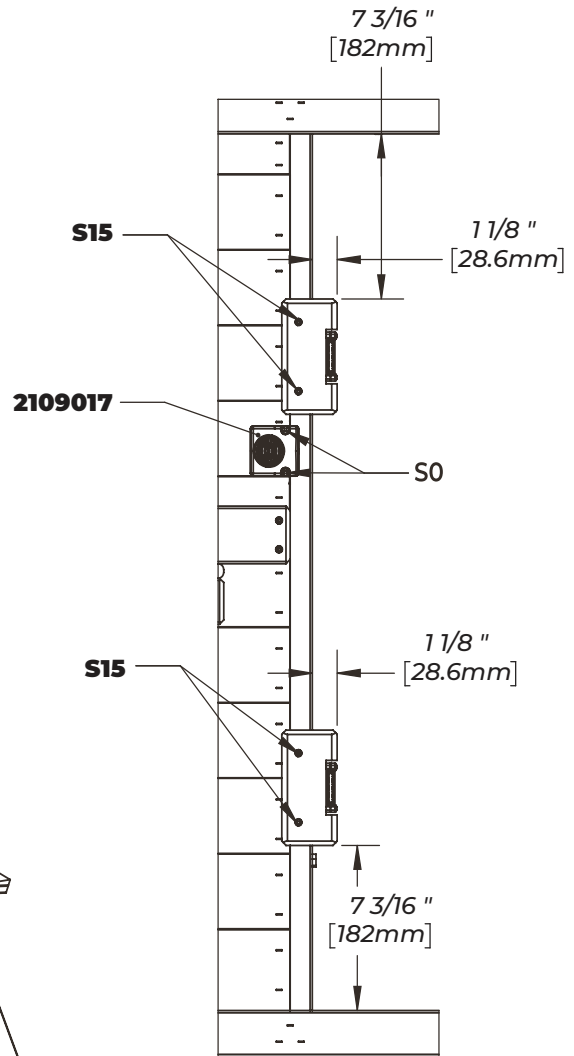
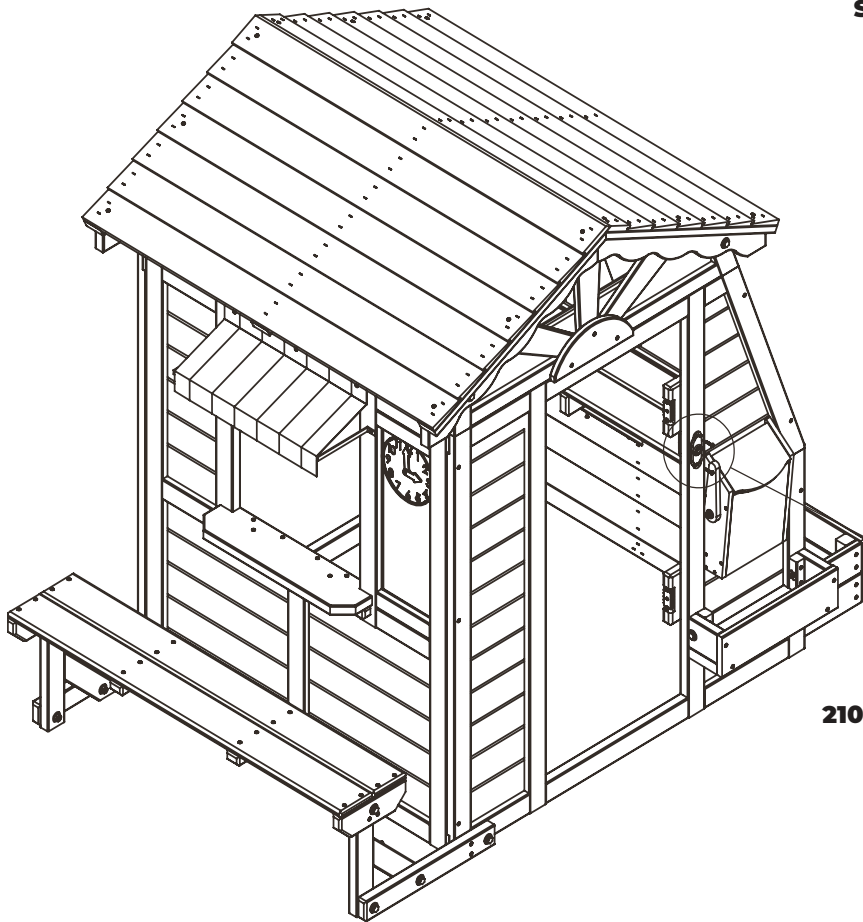
Hardware

S0 Truss Head Screw
(x4) - #8 x 7/8"

S15 Wood Screw
(x4) - #8 x 1-3/4"

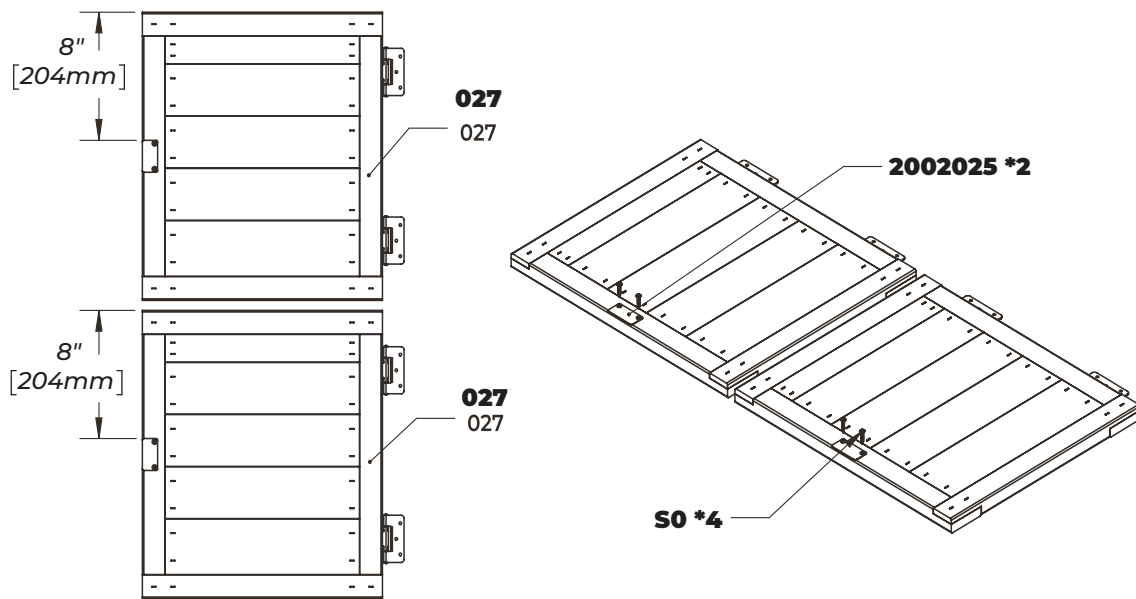
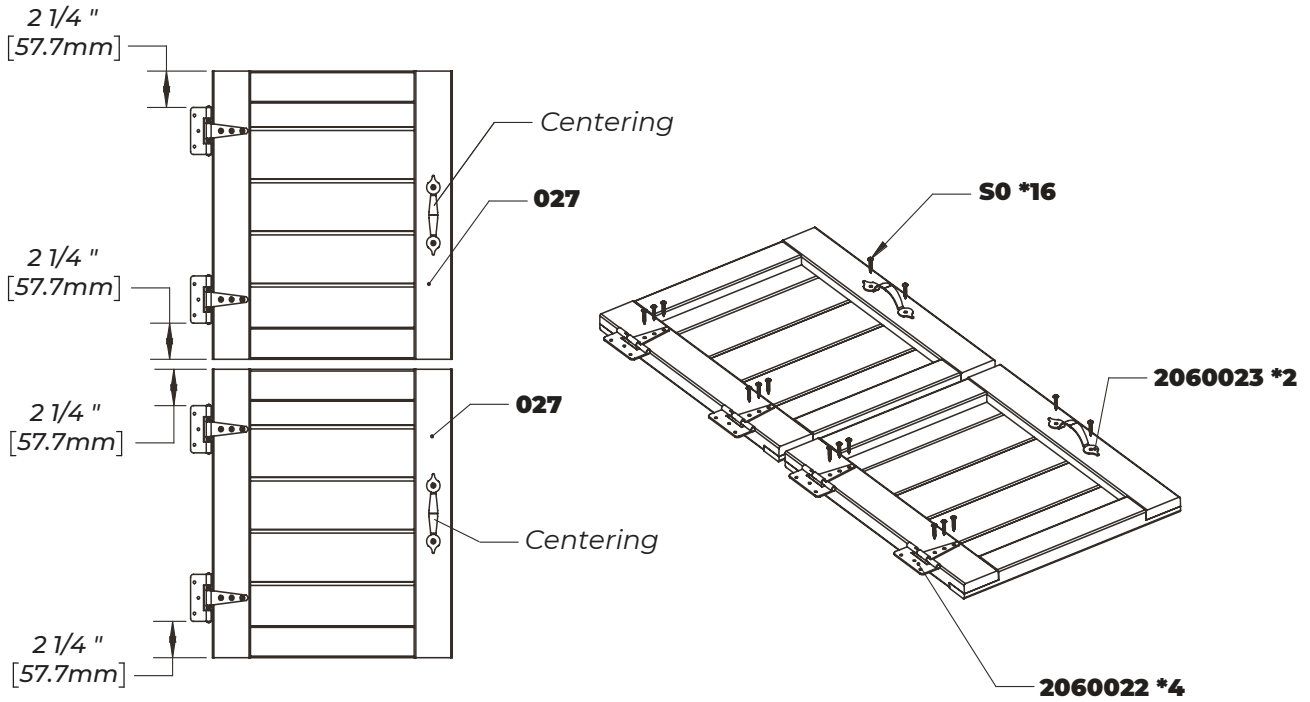
Accessory

2109017
Door Bell (x1)



Step 28

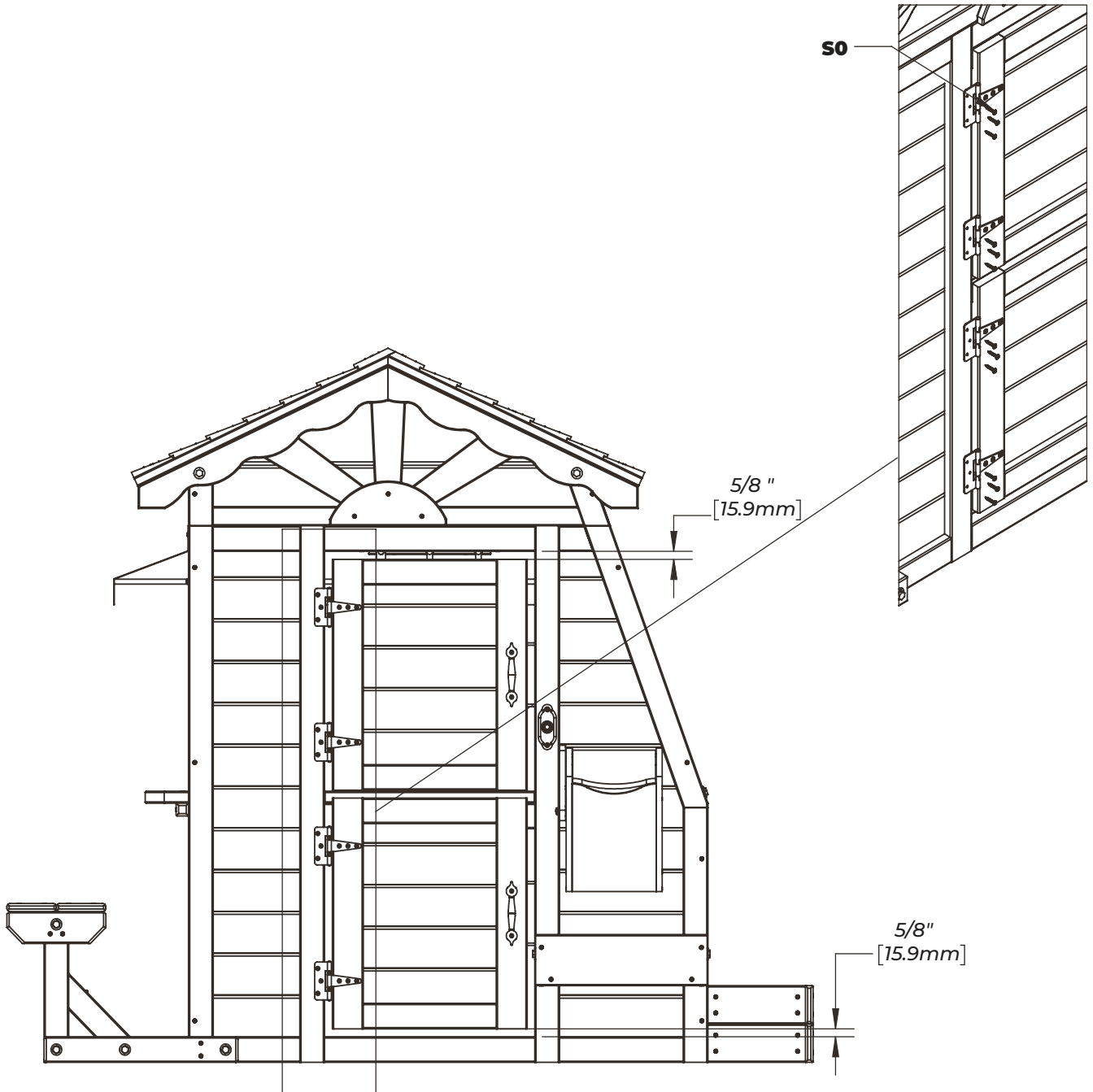
Wood Parts	Hardware	Accessory
027 Door (x2) - 1" x 18 1/16" x 15 3/4"	S0 Truss Head Screw (x20) - #8 x 7/8"	2060022 Door Hinge (x4) 2060023 Door Handle (x2) 2002025 Steel Plate (x2)



Step 29

Hardware

S0 Truss Head Screw
(x12) - #8 x 7/8"



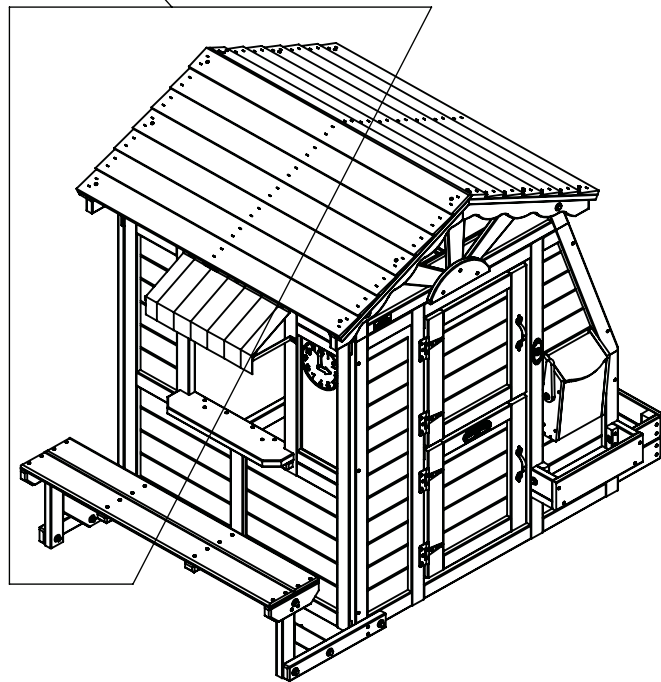
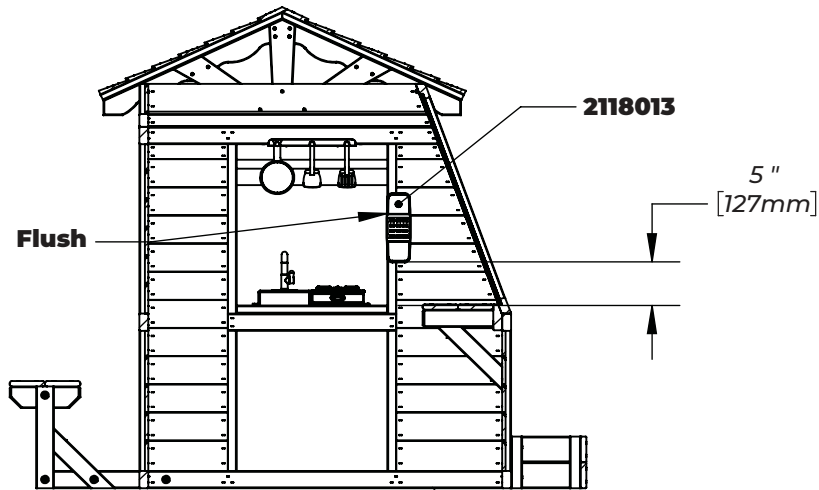
Step 30

Hardware

S0 Truss Head Screw
(x1) - #8 x 7/8"

Accessory

2118013
Phone (x1)



Step 31

Hardware

S0 Truss Head Screw
(x4) - #8 x 7/8"

Accessory

2000001
Teamson Playhouse Plaque (x1)
2000030
Playhouse ID Plaque (x1)

