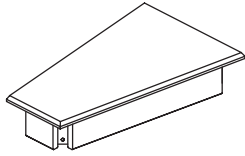
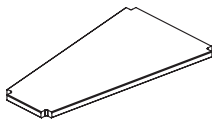


Your new Leick Home table will give you years of trouble-free performance. Thank you for choosing our product for your home. **Please read carefully and save these instructions, as you may need them at a later date.**

What's in the box



A Top Assembly



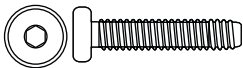
B Shelf



C Right Leg x2



D Left Leg x2



E Bolts x8



F Allen Wrench



G Shelf support x4

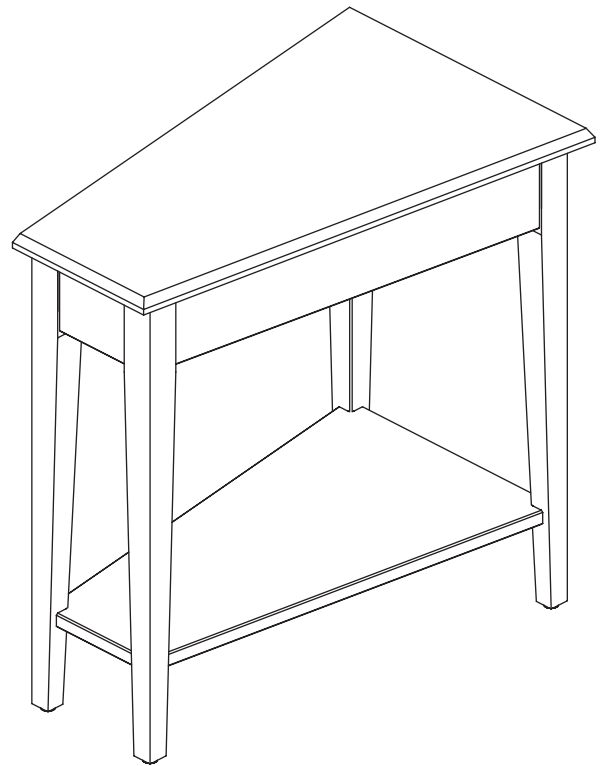
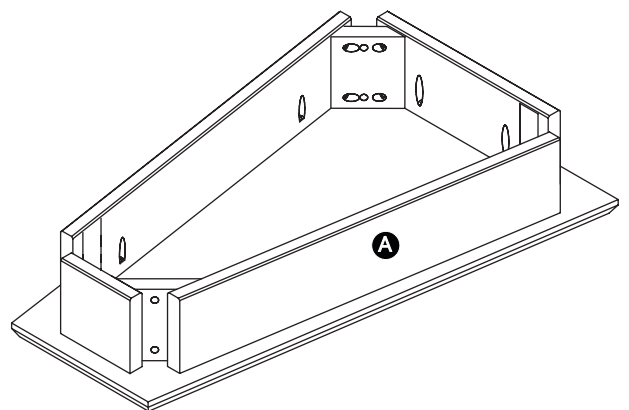


Figure 1

Top Assembly

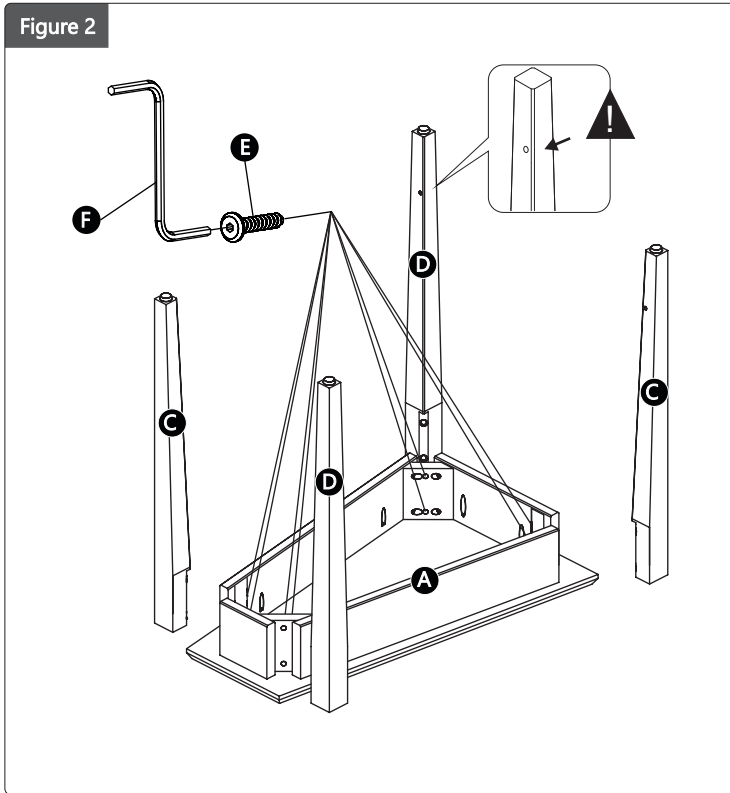


Steps to Install

1. Before installation, carefully unpack and identify all parts.
2. Place **top assembly (A)** upside down on a soft surface. (See Figure 1).

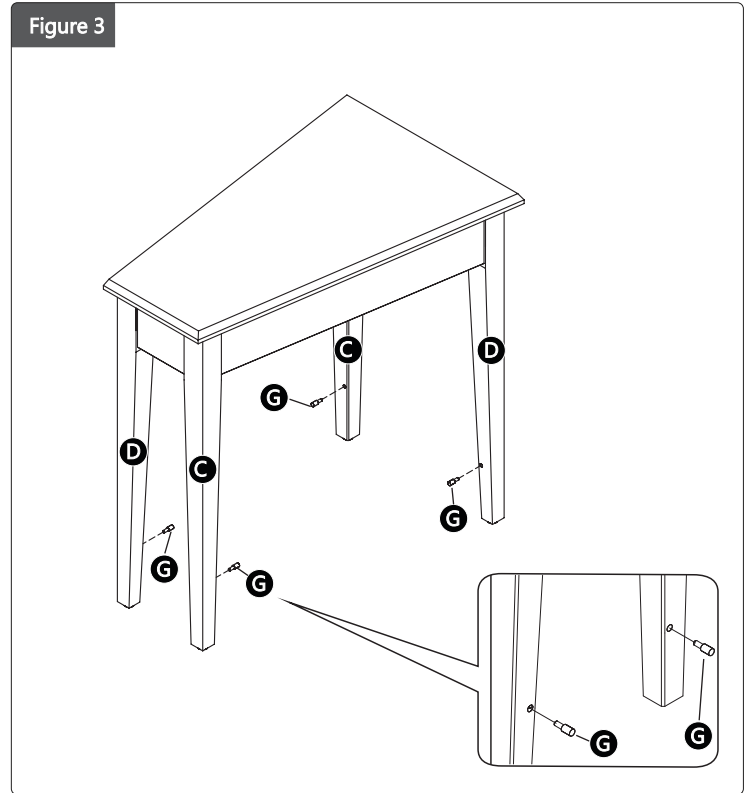
Continued on next page

Figure 2



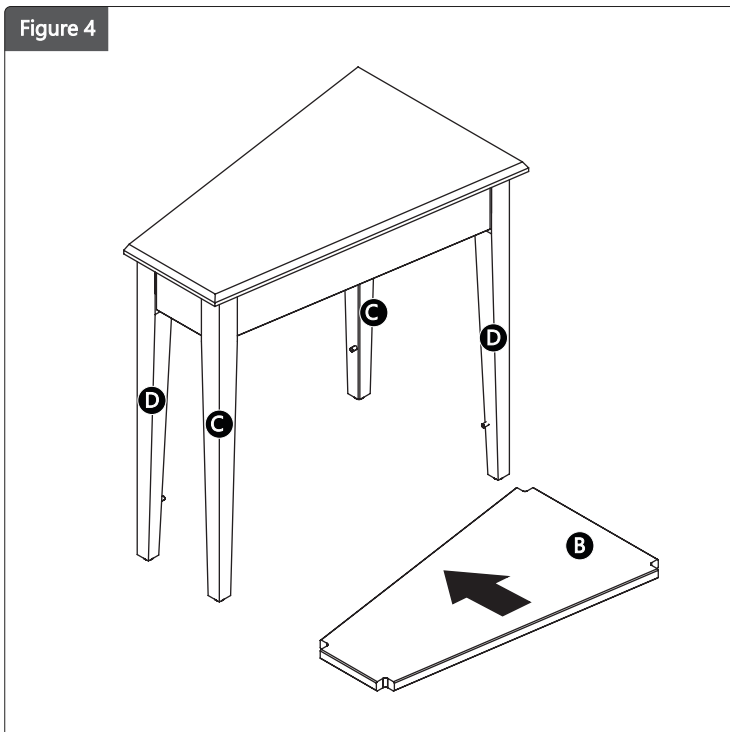
3. Fix **right legs (C)** and **left legs (D)** to the **top assembly (A)** with bolts (E), using **Allen wrench (F)**. Do not over-tighten. (See figure 2).

Figure 3



4. Fit **shelf support (G)** into **right legs (C)** and **left legs (D)**. (See figure 3).

Figure 4



5. Fit the **shelf (B)** between the **right legs (C)** and the **left legs (D)** onto the **shelf support (G)**. (See figure 4).