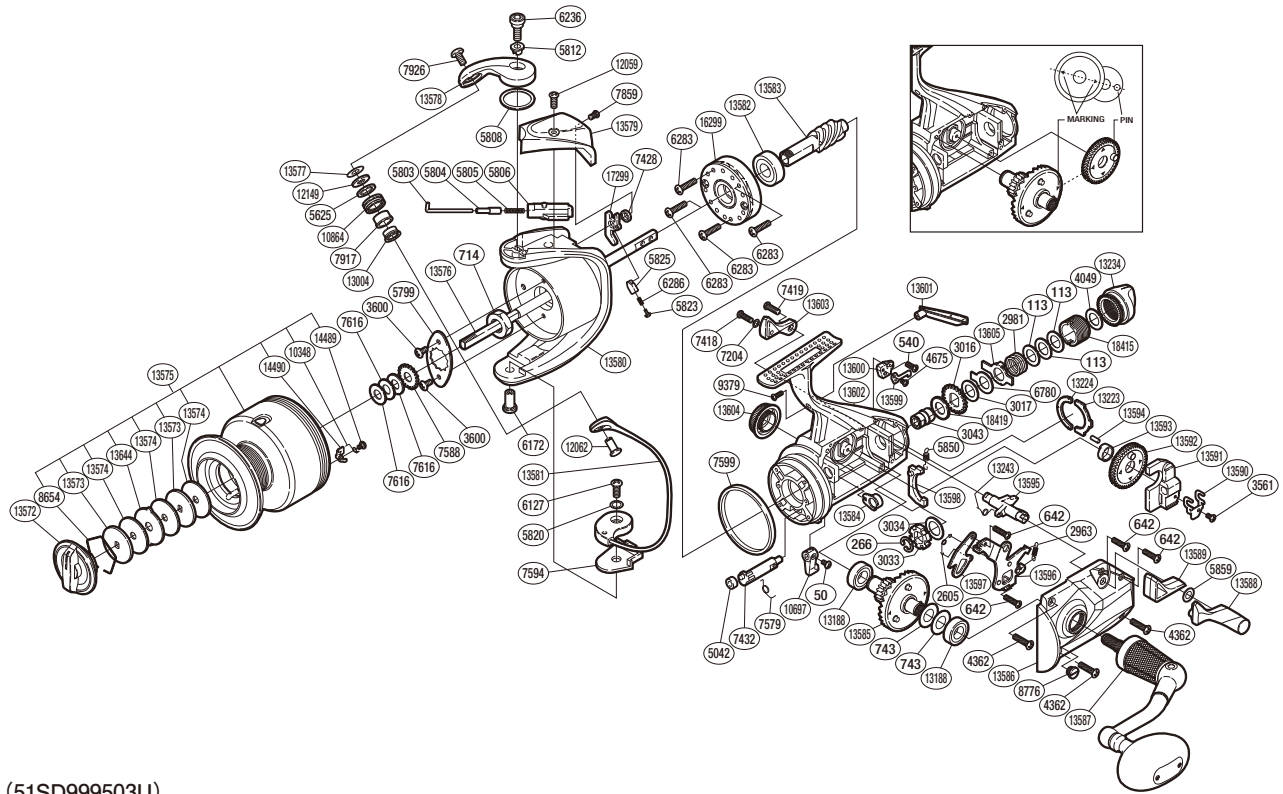


SHIMANO

BAITRUNNER

BTR-12000D



(51SD999503U)

#	Part No.	Description	#	Part No.	Description	#	Part No.	Description
50	10MPT	Screw	6283	10LJ2	Screw	13578	10JJ9	Bail Arm
113	10C0Z	Washer	6286	10FEA	Bail Trip Lever Spring	13579	10DE7	Bail Spring Cover
266	10S56	C Lock	6780	10N83	Single Eared Washer	13580	10Y99	Rotor
540	103GS	Screw	7204	10KF3	Lock Washer	13581	106LE	Bail Assembly
642	10M35	Screw	7418	10L6L	Screw	13582	10KAK	Ball Bearing
714	107VS	Rotor Nut	7419	10LLG	Screw	13583	10M46	Pinion Gear
743	10HHL	Washer	7428	10FQQ	Bail Trip Lever Washer	13584	10JTN	Pinion Gear Bushing
2605	10QCX	Clutch Pawl Spring	7432	10DB7	Anti-Reverse Cam	13585	10A1R	Drive Gear
2963	10422	Baitrunner Click Spring	7579	10DCM	Anti-Reverse Cam Spring	13586	10CXP	Side Cover
2981	106RR	Free Spool Tension Spring	7588	10Q06	Spool Support	13587	105FF	Handle Assembly
3016	10BTL	Click Gear	7594	10HAZ	Bail Hold Support Spacer	13588	10G95	Baitrunner Lever Arm L
3017	10KJ4	Free Spool Tension Washer	7599	10D7K	Friction Ring	13589	106RL	Baitrunner Lever Bridge
3033	10BX2	Baitrunner Ratchet	7616	10PH6	Spool Washer	13590	10JZU	Oscillating Slider Retainer
3034	10PDE	Spacer	7859	10MPU	Screw	13591	104WR	Oscillating Slider
3043	105SU	Free Spool Tension Shaft	7917	107R3	Line Roller Bushing	13592	10PGR	Oscillating Gear
3561	10MT4	Screw	7926	103HN	Screw	13593	10JYH	Oscillating Gear Bushing
3600	103L4	Screw	8654	10B6A	Drag Washers Retainer	13594	10PDR	E Pin
4049	109H8	Washer	8776	104KM	Oil Cap	13595	106MY	Baitrunner Lever Shaft
4362	10MBT	Screw	9379	10L1U	Screw	13596	10NZW	Clutch Plate Assembly
4675	10LV7	Screw	10348	10JX9	Click Spring	13597	10G71	Clutch Pawl
5042	106F8	Anti-Reverse Cam Ring	10697	10JG4	Anti-Reverse Lever	13598	10N0X	Baitrunner Pawl
5625	10KFF	Line Roller Spacer	10864	10JP3	Line Roller	13599	106RZ	Dial Click
5799	10FR9	Rotor Nut Retainer	12059	10LJ4	Screw	13600	106WJ	Baitrunner Pawl Guide
5803	105YA	Bail Spring Guide A	12062	10DB1	Line Roller Support	13601	106JV	Body I.D. Plate
5804	10HDG	Spring Guide A Support	12149	10PK0	Line Roller Washer	13602	10K3Y	Body
5805	10G0X	Bail Spring	13004	10HAS	Line Roller Collar	13603	10G6Y	Baitrunner Lever Arm R
5806	107A4	Bail Spring Guide B	13188	10BGD	Ball Bearing	13604	10GEY	Handle Screw Cap
5808	10HDQ	Washer	13223	106S3	Dial Retainer	13605	107CT	Eared Washer
5812	10K58	Screw Collar	13224	1050X	Dial Retainer B	13644	102XR	Eared Washer
5820	105AA	Spacer	13234	10LYF	Baitrunner Tension Dial	14489	10BQG	Screw
5823	10D20	Lever Spring Guide A	13243	104CH	Clutch Spring	14490	10PEM	Drag Click
5825	10D21	Lever Spring Guide B	13572	102FR	Drag Knob	16299	10QPF	Roller Clutch Assembly
5850	10G75	Baitrunner Pawl Spring	13573	10N2F	Key Washer	17299	108TY	Bail Trip Lever
5859	10ATP	Spacer	13574	10340	Drag Washer	18415	106RM	Free Spool Tension Screw
6127	103HA	Screw	13575	10EP0	Spool Assembly	18419	10P0T	Free Spool Tension Washer
6172	10K4T	Bail Hold Support Shaft	13576	10PXN	Main Shaft			
6236	10Q8B	Screw	13577	107R0	Spacer			

Please note that the number of adjusting washers may not be the same as shown in the exploded views.
(Adjustment will vary with each individual product.)

(231115)_004