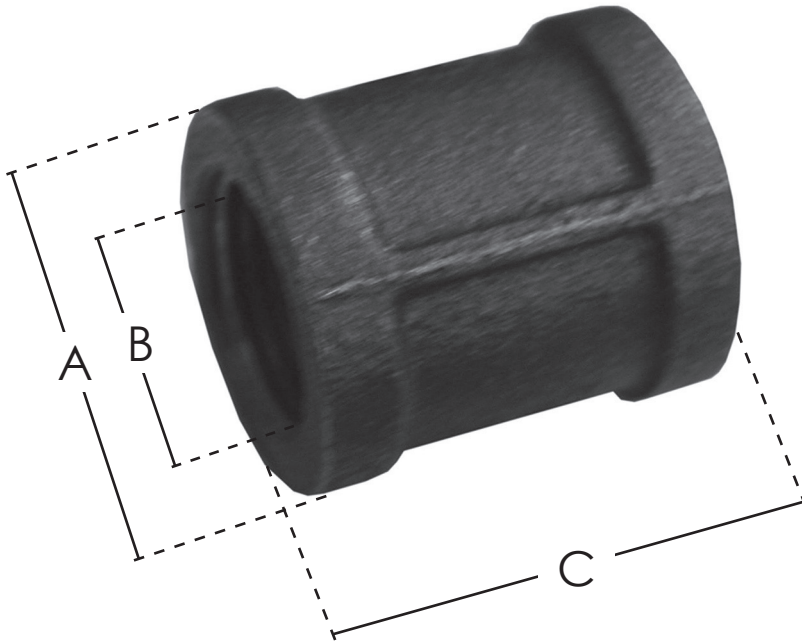


# SPECIFICATION SUBMITTAL SHEET

JONES STEPHENS CORPORATION

## COUPLING BLACK, BANDED

F x F



### features & benefits:

- UL listed
- FM
- NSF 61-4 and AB1953
- Meets ASTM A197, ASME B16.3, and ASTM A153

This product and others like it can be found in the Jones Stephens catalog. Call today to order your catalog or download it from our website:  
[www.jonesstephens.com](http://www.jonesstephens.com)

PART NO.	DESCRIPTION	A	B	C
□ B1650215	1-1/4" Coupling Black, Banded	2-1/8"	1-1/2"	2"

Jones Stephens  
3249 Moody Parkway • Moody, Alabama 35004  
Toll Free Phone: 1-800-355-6637 • Toll Free Fax: 1-800-462-6991  
[www.jonesstephens.com](http://www.jonesstephens.com)