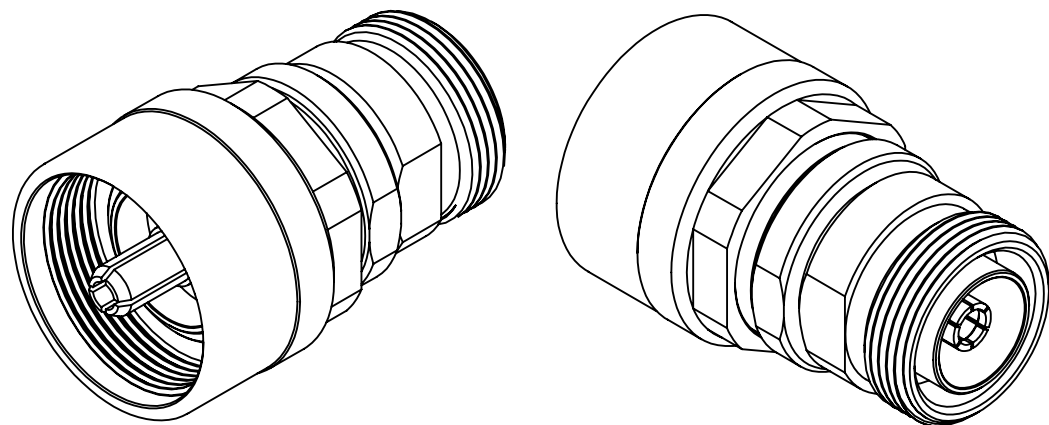


This document, including the design, configuration and mechanical features revealed herein are the sole, confidential and proprietary property of TRU Corporation. Reproduction or use thereof, in whole or part, is prohibited without the prior written consent of TRU Corporation.

REV.	DESCRIPTION	DATE	APPROVED
-	ORIGINAL ISSUE	07/10/14	AM



ENGINEERING DATA

ELECTRICAL:

IMPEDANCE: 50 OHMS NOMINAL
 FREQUENCY RANGE: DC to 6 GHz

MECHANICAL:

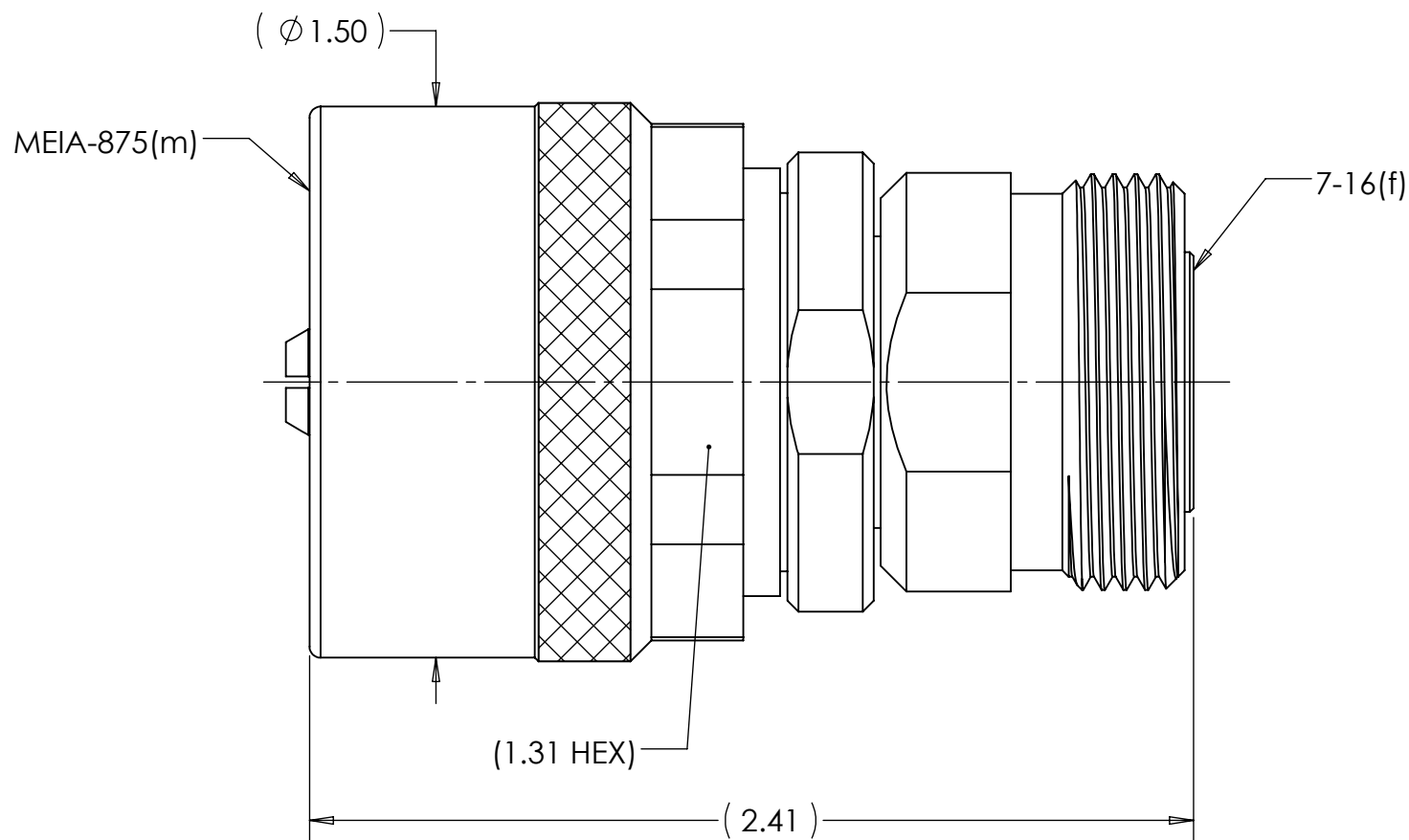
INTERFACE: 7-16(f) PER IEC 169-4 (SOLID OUTER CONTACT)
 MEIA-875(m) PER TRU SPEC INT-MEIA-875

MATERIAL:

INSULATORS: TEFLON
 COUPLING NUT: BRASS
 CONTACTS: BERYLLIUM COPPER
 OTHER METAL PARTS: BRASS


FINISH:

COUPLING NUT: NICKEL PLATED
 OTHER METAL PARTS: SILVER PLATED



NOTES:

- UNLESS OTHERWISE SPECIFIED; ALL DIMENSIONS ARE FOR REFERENCE ONLY.

MATERIAL	DO NOT SCALE DRAWING	DRAWN AM	DATE 07/08/14	 TRU Corporation 245 Lynnfield St, Peabody, MA 01960
	COMMENTS:	UNLESS OTHERWISE SPECIFIED: DIMENSIONS ARE IN INCHES	ENG APPR. AM	
surface area: sq inch		weight: 0.55 lbs	TOLERANCES: FRACTIONS: ±1/64 .XX : ±.01 .XXX: ±.005 ANGLES: ±1/2° MACHINED SURFACES: 63/√	
	THIRD ANGLE PROJECTION		SIZE B DWG. NO. TRU-11892 CAGE CODE: 92180	REV - SCALE: 2:1 SHEET 1 OF 1