

F1807 Brass PEX Ball Valve

Job Name	_____
Location	_____
Engineer	_____
Contractor	_____
Tag	_____ PO# _____

Specifications

Manufactured to the highest industry standards, Jones Stephens' F1807 lead-free brass crimp fittings provide precise, leak-free connections. The secure and reliable crimp fitting method provides full, immediate strength upon installation, with 360-degree uniform pressure. Approved for use with PEX piping.

Applications

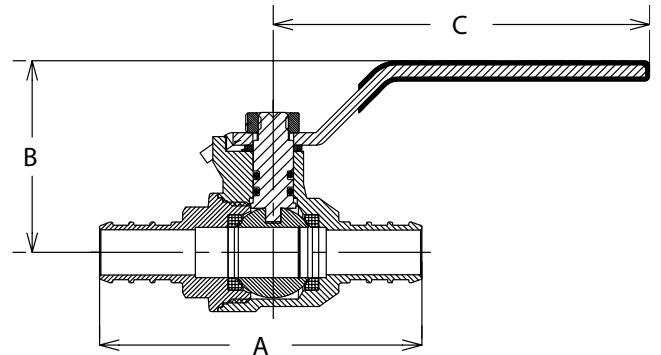
Jones Stephens' F1807 Brass PEX Ball Valves are approved for use with commercial and residential non-potable water applications.

Materials

Lead-free brass

Certifications/Listings/Approvals

IAMPO/ANSI Z1157-2014e1
 NSF/ANSI 14-2010a
 NSF/ANSI 372-2016



	ID	OD
F1807 Specified Dimensions	in (mm)	in (mm)
1/2" End Connection	.37(9.30)	.47(11.98)
3/4" End Connection	.55(13.85)	.67(16.96)
1" End Connection	.72(18.22)	.86(21.74)

PRODUCT OFFERING ON PAGE 2

Dimensions and Product Offering

PART NO.	SIZE	A - IN (MM)	A TOLERANCE ±IN(MM)	B - IN (MM)	B TOLERANCE ±IN(MM)	C - IN (MM)	C TOLERANCE ±IN(MM)	WEIGHT - LBS (G)	WEIGHT TOLERANCE ±LBS (G)
B63050LF	0.50"	2.52 (64.00)	0.08 (2.00)	1.50 (38.06)	0.08 (2.00)	2.94 (74.74)	0.02 (10.89)	0.25 (113.40)	0.02 (10.89)
B63075LF	0.75"	2.62 (66.50)	0.08 (2.00)	1.50 (38.06)	0.08 (2.01)	3.17 (80.43)	0.02 (10.89)	0.34 (154.22)	0.02 (10.89)
B63100LF	1.00"	3.23 (82.00)	0.08 (2.00)	1.97 (50.00)	0.08 (2.02)	4.17 (106.00)	0.02 (10.89)	0.62 (281.23)	0.02 (10.89)