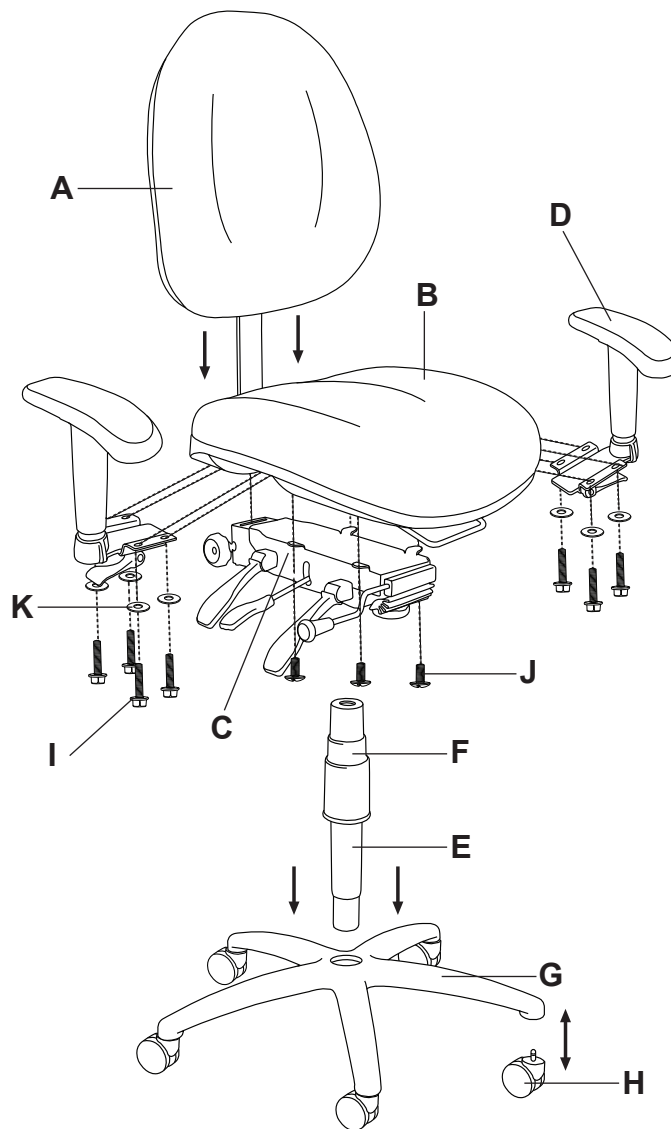
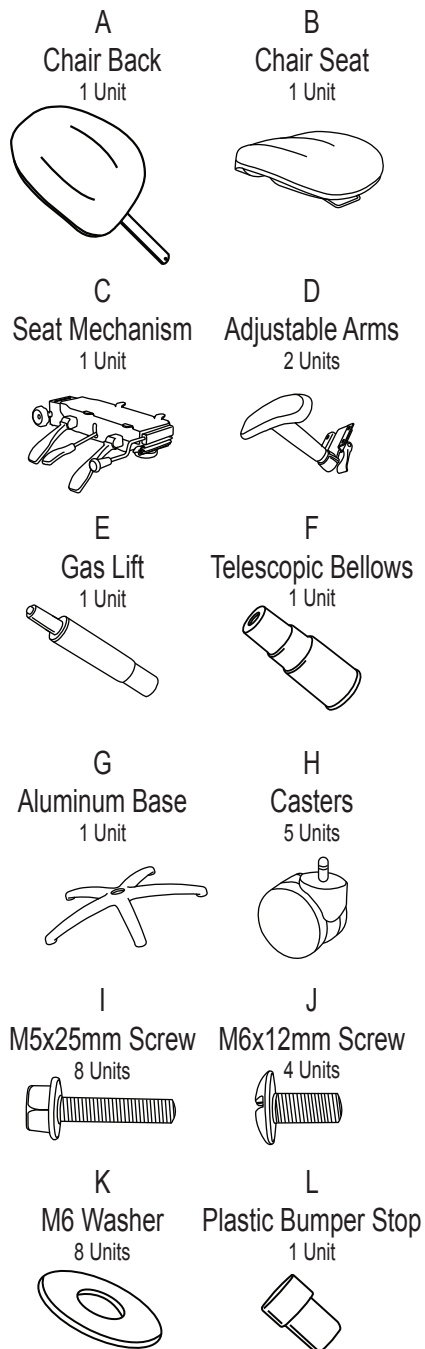


# Models: 247 / 247-VAM 24-Hour High-Back Computer Task Chair

## Parts Listing



**WEIGHT CAPACITY: 400 lbs.**

### Assembly Notes:

During assembly, hand tighten screw only. When all screws are in place, you may then tighten all screws completely.

### CAUTION:

1. Do not use this chair as a step ladder.
2. Check for loose screws and tighten them every 6 months.

## Assembly Instructions



**Tools Needed: Phillips Head Screwdriver**  
*Please read all instructions before assembly.*

**Step 1:** Insert Casters (H) into Aluminum Base (G). Place Gas Lift (E) into the center hole of the Aluminum Base (G) and cover with Bellows (F).

**Step 2:** Attach the Seat Mechanism (C) to the Chair Seat (B) using M6x12mm Screws (J).

**Step 3:** Attach the Adjustable Arms (D) using M6x25mm Screws (I) and M6 Washers (K).

**Step 4:** Place center hole of Seat Mechanism (C) onto Gas Lift (E). Press down firmly on Chair Seat (B) to secure to base.

**Step 5:** Insert the bar on the Chair Back (A) through the rear slot of the Seat Mechanism (C), and tighten the hand tension knob to secure.

**Step 6:** Place Plastic Bumper Stop (L) into the bottom hole of the bar on the Chair Back (A).

**Note:** Please see subsequent page for operating instructions.

**ofm**  
Furniture For The Real Office™

161 Tradition Trail,  
Holly Springs, NC, 27540  
800-520-7471 (voice)  
919-303-6389 (voice)  
919-362-4765 (fax)  
www.ofmfurniture.com  
support@ofminc.com