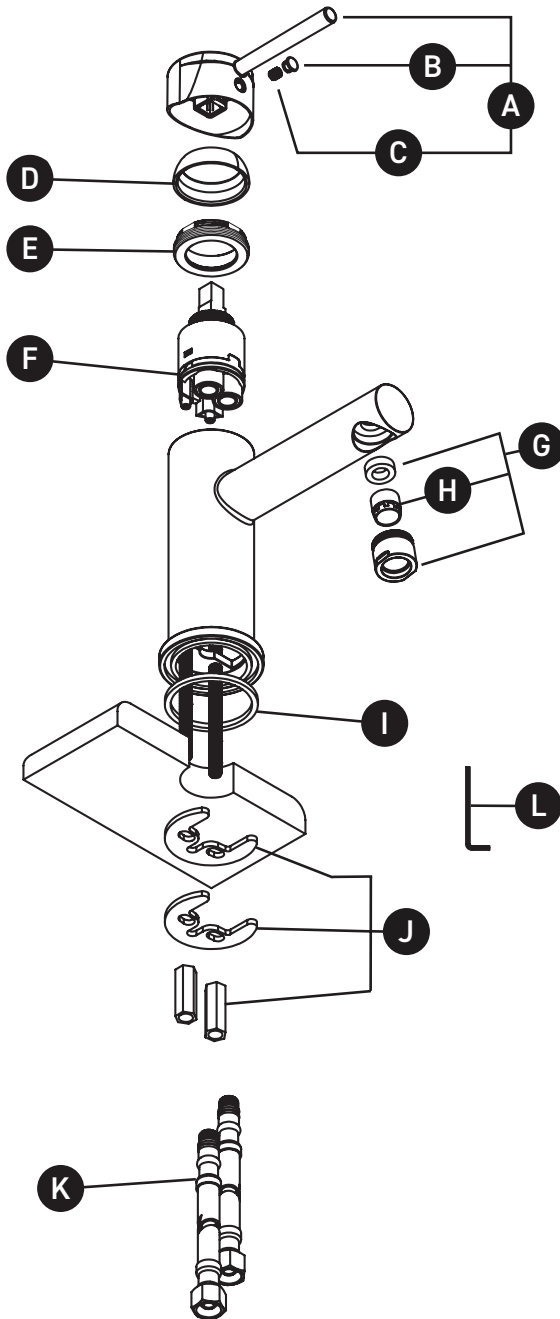


ORDER BY PART NUMBER

ILLUSTRATED PARTS

GS01

GS Single Handle Lavatory Faucet



ID	Kit Number	Finish
A*	1255*	See below
B*	003-419	See below
C	152-060	N/A
D*	052-003*	See below
E	305-050	N/A
F	401-072	N/A
G*	S6-515-15 [1.5gpm / 5.7l/min]	N/A
	S6-515-12 [1.2gpm / 4.6l/min]	N/A
	S6-515-05* [0.5 gpm / 1.9l/min]	N/A
H	6-600 [1.2gpm / 4.6l/min]	N/A
I	302-356	N/A
J	7396	N/A
K	7178 (2x)	N/A
L	505-025	N/A

*Finish Determined by Suffix

Finish	Description
BK	Black
C	Chrome

For warranty or additional information, contact:

U.S.A.
houseofrohl.com/support
1-800-777-9762

QUEBEC / MARITIMES / WESTERN CANADA
QUÉBEC / MARITIMES / OUEST CANADIEN
QUEBEC / MARITIMOS / CANADA OCCIDENTAL
houseofrohl.ca/support
1-866-473-8442

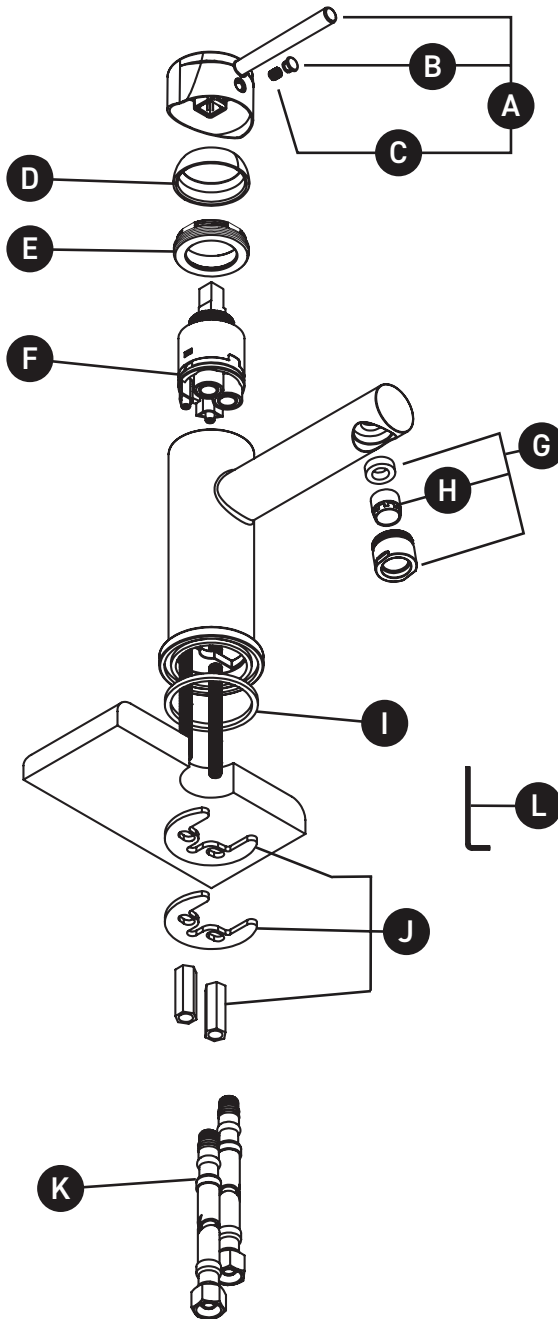
ONTARIO
houseofrohl.ca/support
1-800-287-5354

VEUILLEZ EFFECTUER VOTRE COMMANDE
PAR NO DE RÉFÉRENCE

ILLUSTRATIONS DES PIÈCES

GS01

Robinet de lavabo monotrou



ID	Référence du kit	Finition
A*	1255*	Voir ci-dessous
B*	003-419	Voir ci-dessous
C	152-060	N/A
D*	052-003*	Voir ci-dessous
E	305-050	N/A
F	401-072	N/A
G*	S6-515-15 (1.5gpm / 5.7l/min)	N/A
	S6-515-12 (1.2gpm / 4.6l/min)	N/A
	S6-515-05* (0.5 gpm / 1.9l/min)	N/A
H	6-600 (1.2gpm / 4.6l/min)	N/A
I	302-356	N/A
J	7396	N/A
K	7178 (2x)	N/A
L	505-025	N/A

*Finition déterminée par le Suffixe

Finition	Description
BK	Noir
C	Chrome

For warranty or additional information, contact:

U.S.A.
houseofrohl.com/support
1-800-777-9762

QUEBEC / MARITIMES / WESTERN CANADA
QUÉBEC / MARITIMES / OUEST CANADIEN
QUEBEC / MARITIMOS / CANADA OCCIDENTAL
houseofrohl.ca/support
1-866-473-8442

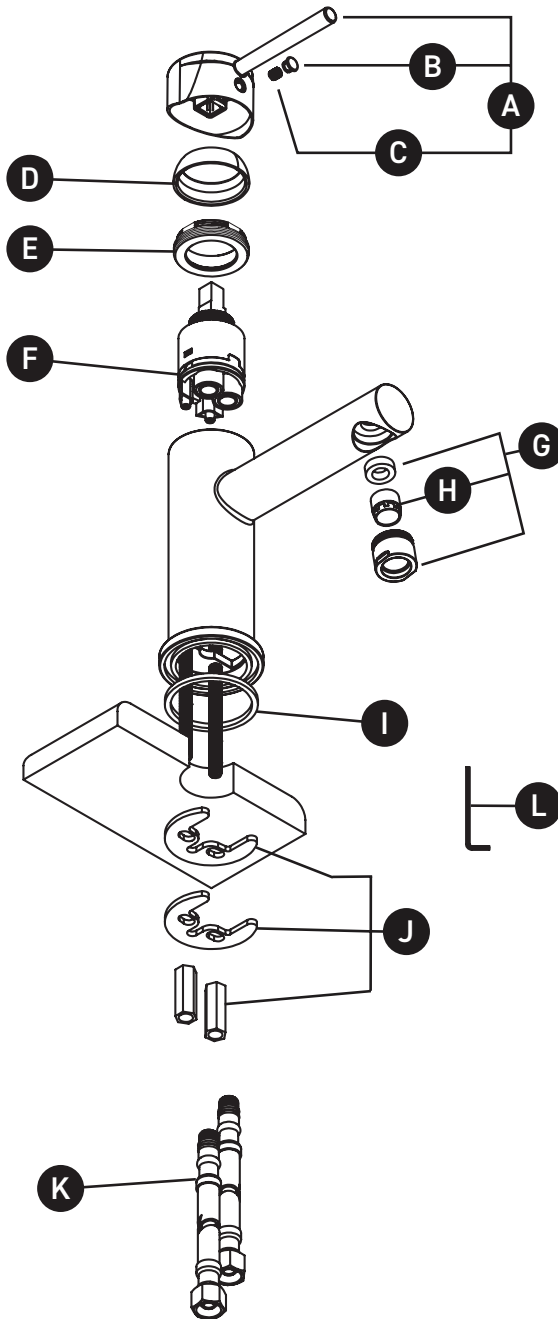
ONTARIO
houseofrohl.ca/support
1-800-287-5354

PEDIR POR NÚMERO DE REFERENCIA

PIEZAS ILUSTRADAS

GS01

Grifo monomando para lavabo GS



ID	Referencia del kit	Acabado
A*	1255*	Ver más abajo
B*	003-419	Ver más abajo
C	152-060	N/A
D*	052-003*	Ver más abajo
E	305-050	N/A
F	401-072	N/A
G*	S6-515-15 [1.5gpm / 5.7l/min]	N/A
	S6-515-12 [1.2gpm / 4.6l/min]	N/A
	S6-515-05* [0.5 gpm / 1.9l/min]	N/A
H	6-600 [1.2gpm / 4.6l/min]	N/A
I	302-356	N/A
J	7396	N/A
K	7178 [2x]	N/A
L	505-025	N/A

*Acabado determinado por el sufijo

Acabado	Descripción
BK	Negro
C	Cromo

For warranty or additional information, contact:

U.S.A.
houseofrohl.com/support
1-800-777-9762

QUEBEC / MARITIMES / WESTERN CANADA
QUÉBEC / MARITIMES / OUEST CANADIEN
QUEBEC / MARITIMOS / CANADA OCCIDENTAL
houseofrohl.ca/support
1-866-473-8442

ONTARIO
houseofrohl.ca/support
1-800-287-5354