

AXOR ShowerSolutions
Diverter Trim Trio/Quattro 5" x 5"
Finishes : **chrome** Part no. : **10932001**



Description

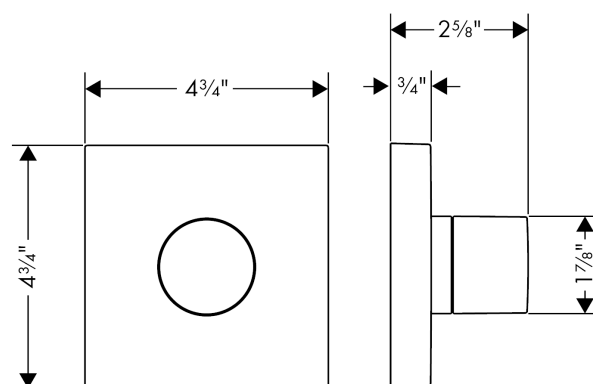
Features

- Handle, Sleeve, Metal escutcheon

Product image



Scale drawing

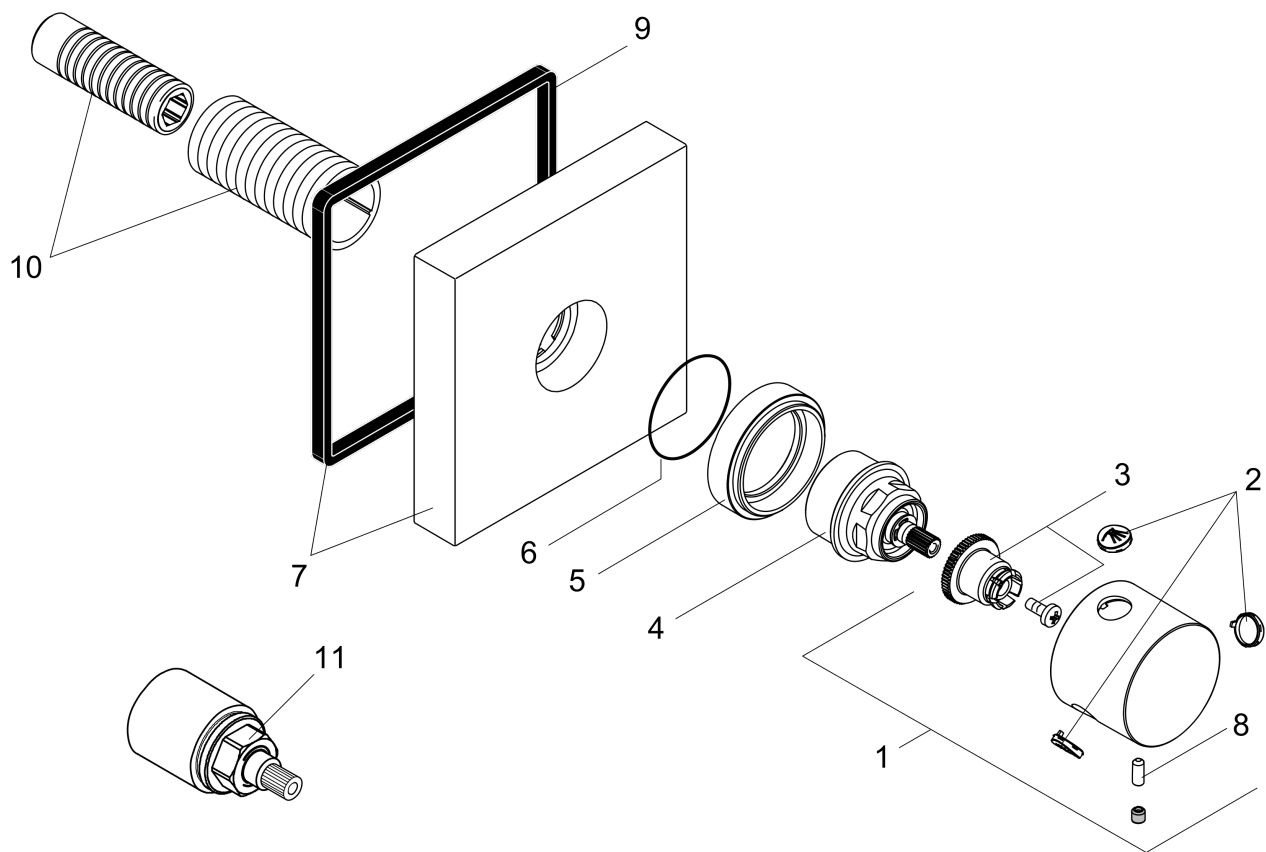


AXOR ShowerSolutions
Diverter Trim Trio/Quattro 5" x 5"
Finishes : **chrome** Part no. : **10932001**



Exploded drawing

Year of production: >04/09



AXOR ShowerSolutions
Diverter Trim Trio/Quattro 5" x 5"
 Finishes : **chrome** Part no. : **10932001**



Spare parts list

Year of production: >04/09

Pos.	Description	Part no.	PC	PU
1	handle	18095001	0	1
2	set of symbols	95237000	0	1
3	handle fixing set	94184000	0	1
4	nut	98677000	0	1
5	sleeve	95360000	0	1
6	O-ring 35x2,5	96006000	0	1
7	escutcheon	95359000	0	1
8	hollow set screw M4x10	97667000	0	1
9	seal	97737000	0	1
10	fixing set	96392000	0	1
11	extension 25 mm	96370000	0	1
a	base body	15930181	0	1
b	base body	15936181	0	1
c	base body	15984181	0	1
d	base body	15981181	0	1