
Tyco Security Products

Publications Cover Sheet

Tyco Pubs Owner: Owen McConnell

Part Number: 29009363R004

Revision: 004

Release Number: 13048

Notes: Remove the PowerSeries Neo logo on the top right hand corner of the cover page and replace with Impassa logo. PowerSeries Neo logos found anywhere else in the document should also be replaced.

"Neo" updated to 'Impassa" in the part description.

Description: IMPASSA ADC TL8055LT V1.3
INSTALLATION MANUAL NA/LATAM
ENGLISH/SPANISH

Type: 8.5 x 11 White (Paper)

Pieces: 10

Printing Instructions: Master Size: 5.5 x 8.5

Number of Sheets in Master: 40

2 - Sided Printing

Cover Printing Not Required

Finishing: Signature Booklet

Notes: ATTENTION: THE PRINTING
AGENCY COUNTRY MUST BE ADDED
IN ENGLISH TO THE FORM FIELD ON
THE BACK COVER BEFORE

PRINTING. THE FOLLOWING FORMAT
MUST BE USED "PRINTED IN XXX"

(XXX=COUNTRY). Note: Booklets more
than 10 sheets must be trimmed.

Note: Booklets more than 10 sheets
must be trimmed.

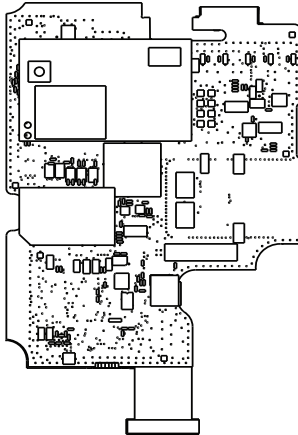
DSC

From Tyco Security Products

IMPASSA

TL8055LT Dual Path IP/LTE Controller

V1.3 Installation Manual



WARNING: This manual contains information on limitations regarding product use and function and information on the limitations as to liability of the manufacturer. The entire manual should be carefully read.

Warning: installer please read carefully	4
Note to installers	4
Safety instructions	4
System failures	4
Access by intruders	4
Component failure	4
Compromise of radio frequency (wireless)	4
Criminal knowledge	4
Failure of replaceable batteries	4
Inadequate installation	5
Inadequate testing	5
Insufficient time	5
Motion detectors	5
Power failure	5
Security and insurance	5
Smoke detectors	5
Telephone lines	6
Warning devices	6
Alarm.com LTE	7
Introduction to the Alarm.com modules	7
LTE module TL8055LT	7
Contact information	7
Compatibility	7
Installation	7
UL/ULC installation requirements	7
Power down	8
Module installation steps	8
Power up	9
Enroll Alarm.com image sensor	10
LTE phone test (module registration)	10
Panel settings	10
Night arming	10
Central station and telephone line settings	10
Two-way voice	11
Zone attributes	11
Notifications	11
Not supported	11
Panel settings automatically change	12
Troubleshooting: module status information	12
Improving wireless signal strength	13
Installer programming	13
Ratings and specifications	15

Regulatory information 15

 Industry Canada statement 16

 FCC/ISED Canada wireless notice 16

Limited warranty 18

 International warranty 18

 Warranty procedure 18

 Conditions to void warranty 18

 Items not covered by warranty 18

 Disclaimer of warranties 18

 Installer’s lockout 18

 Out of warranty repairs 18

End User License Agreement 19

 SOFTWARE PRODUCT LICENSE 19

 DESCRIPTION OF OTHER RIGHTS AND LIMITATIONS 19

 LIMITED WARRANTY 20

Warning: installer please read carefully

Note to installers

The warnings on this page contain vital information. As the only individual in contact with system users, it is the installer's responsibility to bring each item in this warning to the attention of all users of this system.

Safety instructions

This equipment must be installed by Skilled Persons only (a skilled person is defined as a person having the appropriate technical training and experience necessary to be aware of hazards to which that person may be exposed in performing a task and of measures to minimize the risks to that person or other persons). It must be installed and used within a non-hazardous, indoor environment only (pollution degree max 2, over voltages category II).

The installer is responsible for instructing the system user in regards to electrical safety precautions when using a system which includes this equipment and also in regards to each of the following:

- Do not attempt to service this product. There are no user serviceable parts inside.
- If servicing is required, it shall be referred to skilled persons only.

Using adequate mounting means (for example plastic/-metal anchors), secure the transceiver to the building structure.

Internal wiring must be routed in a manner that prevents:

- Excessive strain on wire and on terminal connections.
- Loosening of terminal; connections.
- Damage to conductor insulation.

System failures

This system has been carefully designed to be as effective as possible. There are circumstances, however, involving fire, burglary, or other types of emergencies where it may not provide protection. Any alarm system of any type may be compromised deliberately or may fail to operate as expected for a

variety of reasons. Some, but not all, of the reasons may be:

Access by intruders

Intruders may enter through an unprotected access point, circumvent a sensing device, evade detection by moving through an area of insufficient coverage, disconnect a warning device, or interfere with or prevent the proper operation of the system.

Component failure

Although every effort has been made to make this system as reliable as possible, the system may fail to function as intended due to the failure of a component.

Compromise of radio frequency (wireless)

A device's signals may not reach the receiver under all circumstances, which could include: metal objects placed on or near the radio path, deliberate jamming or other inadvertent radio signal interference.

Criminal knowledge

This system contains security features which were known to be effective at the time of manufacture. It is possible for persons with criminal intent to develop techniques which reduce the effectiveness of these features. It is important that your security system be reviewed periodically to ensure that its features remain effective and that it is updated or replaced if it is found that it does not provide the protection expected.

Failure of replaceable batteries

This system's wireless transmitters have been designed to provide several years of battery life under normal conditions. The expected battery life is a function of the device environment, usage, and type. Ambient conditions such as high humidity, high or low temperatures, or large temperature fluctuations may reduce the expected battery life. While each transmitting device has a low battery monitor which identifies when the batteries need to be replaced, this monitor may fail to operate as expected. Regular testing and maintenance will keep the system in good operating condition.

Inadequate installation

A security system must be installed properly in order to provide adequate protection. Every installation should be evaluated by a security professional to ensure that all access points and areas are covered. Locks and latches on windows and doors must be secure and operate as intended. Windows, doors, walls, ceilings and other building materials must be of sufficient strength and construction to provide the level of protection expected. A reevaluation must be done during and after any construction activity. An evaluation by the fire and/or police department is highly recommended if this service is available.

Inadequate testing

Most problems that would prevent an alarm system from operating as intended can be found by regular testing and maintenance. The complete system should be tested weekly and immediately after a break-in, an attempted break-in, a fire, a storm, an earthquake, an accident, or any kind of construction activity inside or outside the premises. The testing should include all sensing devices, keypads, consoles, alarm indicating devices, and any other operational devices that are part of the system.

Insufficient time

There may be circumstances when the system will operate as intended, yet the occupants will not be protected from an emergency due to their inability to respond to the warnings in a timely manner. If the system is remotely monitored, the response may not occur in time to protect the occupants or their belongings.

Motion detectors

Motion detectors can only detect motion within the designated areas as shown in their respective installation instructions. They cannot discriminate between intruders and intended occupants. Motion detectors do not provide volumetric area protection. They have multiple beams of detection and motion can only be detected in unobstructed areas covered by these beams. They cannot detect motion which occurs behind walls, ceilings, floors, closed doors, glass partitions, glass doors or windows. Any type of tampering whether intentional or unintentional such as masking, painting, or spraying of any material on the

lenses, mirrors, windows or any other part of the detection system will impair its proper operation. Passive infrared motion detectors operate by sensing changes in temperature. However their effectiveness can be reduced when the ambient temperature rises near or above body temperature or if there are intentional or unintentional sources of heat in or near the detection area. Some of these heat sources could be heaters, radiators, stoves, barbecues, fireplaces, sunlight, steam vents, lighting and so on.

Power failure

Control units, intrusion detectors, smoke detectors and many other security devices require an adequate power supply for proper operation. If a device operates from batteries, it is possible for the batteries to fail. Even if the batteries have not failed, they must be charged, in good condition and installed correctly. If a device operates only by AC power, any interruption, however brief, will render that device inoperative while it does not have power. Power interruptions of any length are often accompanied by voltage fluctuations which may damage electronic equipment such as a security system. After a power interruption has occurred, immediately conduct a complete system test to ensure that the system operates as intended.

Security and insurance

Regardless of its capabilities, an alarm system is not a substitute for property or life insurance. An alarm system also is not a substitute for property owners, renters, or other occupants to act prudently to prevent or minimize the harmful effects of an emergency situation.

Smoke detectors

Smoke detectors that are a part of this system may not properly alert occupants of a fire for a number of reasons, some of which follow. The smoke detectors may have been improperly installed or positioned. Smoke may not be able to reach the smoke detectors, such as when the fire is in a chimney, walls or roofs, or on the other side of closed doors. Smoke detectors may not detect smoke from fires on another level of the residence or building. Every fire is different in the amount of smoke produced and the rate of burning. Smoke detectors cannot sense all types of fires equally well. Smoke detectors may not provide timely

warning of fires caused by carelessness or safety hazards such as smoking in bed, violent explosions, escaping gas, improper storage of flammable materials, overloaded electrical circuits, children playing with matches, or arson. Even if the smoke detector operates as intended, there may be circumstances when there is insufficient warning to allow all occupants to escape in time to avoid injury or death.

Telephone lines

If telephone lines are used to transmit alarms, they may be out of service or busy for certain periods of time. Also an intruder may cut the telephone line or defeat its operation by more sophisticated means which may be difficult to detect.

Warning devices

Warning devices such as sirens, bells, horns, or strobes may not warn people or waken someone sleeping if there is an intervening wall or door. If warning devices are located on a different level of the residence or premise, then it is less likely that the occupants will be alerted or awakened. Audible warning devices may be interfered with by other noise sources such as stereos, radios, televisions, air conditioners, other appliances, or passing traffic. Audible warning devices, however loud, may not be heard by a hearing-impaired person.

Alarm.com LTE

This manual describes the Alarm.com modules used with the SCW9055/57 models.

Introduction to the Alarm.com modules

The following introductory sections identify the Alarm.com modules and offer a brief overview as to their capabilities.

LTE module TL8055LT

The LTE module enables wireless reporting of all alarms and other system events from the DSC IMPASSA control panel using an all-digital, LTE wireless (cellular) network. The module can be used as the primary communication path for all alarm signaling, or as a backup to a telephone connection to the central monitoring station. The wireless alarm signaling and routing service is operated by Alarm.com. The LTE module also features integrated support for Alarm.com's home automation solution with built-in Z-Wave capabilities. Model TL8055LT is a single communication channel using two technologies (cellular LTE/IP) for sending alarms to supervising station.

Note: Alarm.com's home automation solution with built-in Z-Wave capabilities is not UL/ULC evaluated.

Contact information

For additional information and support on Alarm.com modules, initial account setup, home automation, and all other Alarm.com products and services, please visit: www.Alarm.com/dealer or contact Alarm.com technical support at: 1-866-834-0470.

Compatibility

The TL8055LT module is compatible with DSC IMPASSA panels: SCW9055G-433 and SCW9057G-433 V1.3+. Note that the 9055 version does not support two-way voice communication.

Installation

Follow these guidelines during installation:

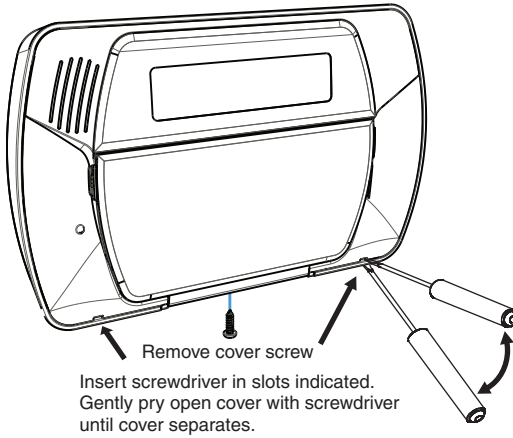
- Before affixing the panel to a wall, verify the LTE signal level at the installation location. On the IMPASSA panel, press and hold the 5 key for 2 seconds to view the LTE signal level. An installation location with a sustained signal level of two or more bars is recommended.
- Do not exceed the panel total output power when using panel power for the LTE module, hardwired sensors, and/or sirens. Refer to the specific panel installation instructions for details. Only one Alarm.com LTE module can be used per IMPASSA panel.
- The LTE module draws on average 100 mA during normal operation. In PowerSave mode, during or immediately following an AC power failure, the module will draw only 5mA on average (10mA with an image sensor daughterboard).
- To minimize potential interference with cellular signaling, avoid mounting the panel in areas with excessive metal or electrical wiring, such as furnaces or utility rooms.

UL/ULC installation requirements

For ULC Residential fire and burglary applications, the TL8055LT^{UL/ULC} can be used as a primary communication channel via Cellular, or as a back-up in conjunction with the Digital Alarm Communicator Transmitter (DACT). Test transmission every 24 hours is enabled on each channel.

For UL Residential fire and burglary applications, the TL8055LT^{UL/ULC} can be used as primary communication channel via Cellular, or as a back-up in conjunction with the DACT. (30 day test transmission is required on each channel).

Figure 1-1 Front view of IMPASSA panel



Power down

Before adding the TL8055LT communicator to the IMPASSA panel, please follow the steps below to remove power from the panel.

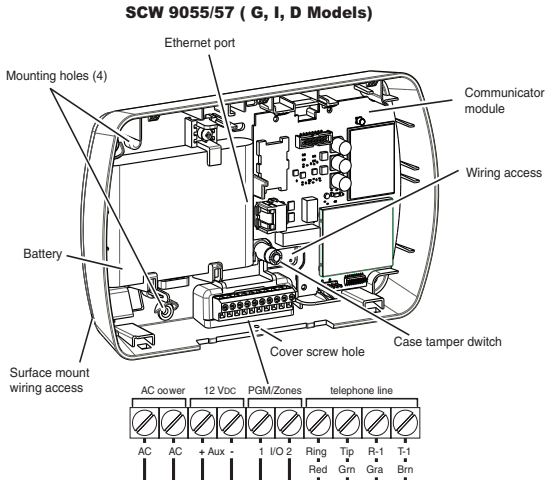
1. Disconnect the AC transformer from the wall.
2. Remove the front cover of the IMPASSA panel by following the instructions in Figure 1-1.
3. Remove the ribbon cable from the IMPASSA base so that you can remove the front cover completely.
4. Unplug the battery connector from the IMPASSA circuit board.

Module installation steps

If the panel came with the module pre-installed then only an LTE phone test is required. Otherwise, installation includes the following steps:

1. The module compartment can be found behind the front panel that swings down, to the right of the battery compartment as seen in the following figure.

Figure 1-2 Module compartment for IMPASSA panels



2. Mount the TL8055LT and its back plastic housing to the wall using the screws provided. Pass both antenna cables through the back plastic and push the antenna ends into the module connectors to snap the antennas onto the module.
 - a. For wall-mounted systems, fully uncoil both antenna cables and drop both antennas into the wall. Be sure to check signal strength before completing installation. If signaling is poor, relocate the primary antenna only to improve the signal strength.
 - b. For table-mounted systems, it is acceptable to leave some of each cable uncoiled, but be sure to separate the antennas from each other and from the panel by approximately 1 foot. If signaling is poor, relocate the primary antenna only to improve the signal strength.
3. Connect the module to the panel via the 16 pin ribbon cable. The ribbon connector is located at the top of the module, near the antenna. On the panel, the ribbon connector is located directly across from the connector on the module.
4. Connect one end of the ethernet cable to the ethernet port on the communicator and connect the other end of the ethernet cable to the ethernet port on the router.
5. Snap the IMPASSA front plastic housing onto the back plastic housing to complete the mounting of the panel.

Power up

When the module has been fully connected to the panel via the ribbon cable, perform a full power cycle by following these steps:

1. Connect battery leads to the battery.
2. Plug the panel power transformer into the AC outlet.

It is important to plug in the battery before closing the IMPASSA, otherwise the panel will issue a “System Low Battery” message regardless of the battery voltage level.

Note: Power cycling will clear existing banners.

Enroll Alarm.com image sensor

1. Ensure batteries are removed from the sensor.
2. On the panel, enter the Interactive Services menu. Interactive Services can be accessed, via section [851] of Installer Programming.
3. Press [*][8] [Installer Code] [851].
4. Scroll to Image Sensor Setup and press [*].
5. Scroll to Learn Image Sensor and press [*]. The will display “Power up or reset I.S. now.”
6. Insert the batteries into the sensor. Wait approximately 20 seconds for the control panel screen to display: “I.S. [x] Added as Sensor [y].” The LED on the sensor will turn solid for 5 seconds, once the sensor has enrolled.
7. Perform another panel comm-test to ensure that Alarm.com receives the updated device equipment list. This will speed up the sensor initialization process.
 - The zone serial number will be programmed automatically as FFFFXX into the next available slot in section [804][001]-[064] to indicate the zone is an image sensor. The last 2 digits XX are used to map the image sensor number and the range is 01-FF. For example, zone slot 12 is programmed with serial number FFFF03. This means image sensor 3 is assigned to actual zone slot 12.
 - Zone type and attribute can be assigned in the installer menu, in a similar way as other regular zones.

LTE phone test (module registration)

To initiate module communication with Alarm.com and the LTE network for the first time, perform an “LTE phone test”. Note that the phone test can also be used at any time by the installer to force communication with Alarm.com. A phone test can also be completed through the Interactive Services menu. Perform a phone test by pressing and holding [3] for two seconds. To perform the phone test on an IMPASSA press [*][6] followed by the master code and [4].

The IMPASSA panel indicates when the LTE phone test has completed by activating the siren output on medium volume for 2 seconds followed by full volume for 2 seconds. However, if the phone test was initiated via the [3] key, or through the Interactive Services menu, the siren will not sound. All display lights and LCD pixels turn on. This indicates that Alarm.com has received and acknowledged the signal. This does not guarantee that the signal went through to a central station; it confirms that Alarm.com’s Network Operations Center received the signal. The central station should be contacted directly to verify that the signal was received on the correct account and that the central station routing settings have been set up correctly. If the signal does not go through to the Central Station, the panel will display a “Failure to Communicate” message. Double check the account’s Central Station Forwarding Settings on Alarm.com and contact technical support if the trouble persists.

Panel settings

Night arming

The IMPASSA panel has the ability to night arm, which arms the perimeter and restricts movement to designated interior areas. Night arming via the panel should be restricted to one of the five function keys. For more information on Night Arming and how to program the function keys, see the installation guide provided with the panel.

Central station and telephone line settings

Central Station and telephone line settings will be automatically configured through the CS Forwarding Settings page of the Dealer Site. The following are the panel settings that will be configured via the Dealer Site page and should not be configured in the panel:

Table 1-1 Panel settings

Section	Option	Description
015	7	Telephone line monitoring
301	--	Communication telephone numbers
302	--	Communication telephone numbers
303	--	Communication telephone numbers
305	--	Communication telephone numbers
310	--	System account number
350	1st Telephone Number	Communicator format options
350	2nd Telephone Number	Communicator format options
381	3	Reporting codes
381	7	Reporting codes
383	2	Telephone number backup options
383	8	Remote notification format

Two-way voice

Section [600] option [8] controls how the CS operator initiates the 2-way audio session. Set to ON for the session to be initiated by the operator. Set to OFF for the session to begin immediately after the siren turns off.

Note: The two-way voice feature was not evaluated by UL/ULC.

Zone attributes

Sections [101] through [164] control the attributes for each zone. Option [5] enables or disables Force Arming. If this option is set to OFF, the system cannot be armed if the zone is opened.

Note: Remote arming from Alarm.com will automatically prompt to bypass open zones that have the Bypass attribute enabled. Only compatible with IMPASSA V1.31+ and IMPASSA Communicator V181.5+.

Notifications

The following panel settings may alter the behavior of customer notifications:

Table 1-2 Panel settings

Section	Option	Description
015	4	If this option is ON, keyfob arming notifications will not be associated with a specific user
015	8	If this option is OFF, notifications will not be available for panel tamper. Set to ON to enable tamper notifications

Not supported

The following panel settings are either handled automatically or not supported and so any changes to them will be ignored:

Table 1-3 Panel settings

Section(s)	Option(s)	Description
324-348	All	Custom reporting codes
377	Swinger Shutdown (Tamper and Rest)	Max. number of transmissions
377	Swinger Shutdown (Maint. And Rest)	Max. number of transmissions
600	1-7	2-way Audio control
601	All	2-way Audio control
609-611	All	Reporting codes

Panel settings automatically change

Some panel settings are changed automatically when the LTE module is connected to the control panel. These settings should not be altered. They are:

Table 1-4 Automatically changed panel settings

Section	Option	Value	Description
015	6	OFF	Master code is not changeable and must be OFF to ensure the module communicates the correct master code
016	8	OFF	Daylights saving time must be disabled to ensure panel time is accurate
024	5	OFF	Realtime clock must be disabled to ensure panel time is accurate
377	AC Failure Communication Delay	Random value between 001 and 030	AC Failure Communication Delay should be set between 001 and 030 to ensure notifications for power failures are received
377	Wireless Device Low Battery Transmission Delay	001	Wireless Device Low Battery Transmission Delay should be set to 001 to ensure notifications for low batteries are received
380	1	ON	Communications must be enabled so the module can communicate with the panel
380	2	OFF	System should transmit alarm restores immediately when the zone is restored
382	5	ON	Communications must be enabled so the module can communicate with the panel
382	6	OFF	AC Failure Transmission Delay should be in minutes
701	5	OFF	User Access Codes must be 4-digits

Clock: The LTE module sets the panel clock when it connects to Alarm.com and then updates it every 18 hours. It is important to select the correct panel time zone on the Alarm.com website, or the panel time will not be accurate. If a system is powered up before the customer account has been created, the time zone will default to Eastern Standard Time.

Troubleshooting: module status information

Module status information for verifying and troubleshooting the module connection status or errors can be found through the Interactive Services menus on the IMPASSA. To access these, press [*][8][Installer Code][851]. See the following table for potential module states.

Table 1-5 LTE module status

Idle	Most common state. Module is not actively sending data and no errors are present
Roaming	Roaming on partner network
SIM missing	The SIM card is missing.
PowerSave mode	AC power is down
Registering...	The module is trying to register on the LTE network
Connection error	The module is registered on the LTE network but cannot connect with Alarm.com. Contact Alarm.com technical support for more information
Radio error	Radio portion of the module is not operating correctly. Power cycle the panel and call Alarm.com technical support if the trouble persists
Server error	Identifies a server error. If it persists, the account may have been set up incorrectly

Connected	Currently connected and transmitting information to the Alarm.com servers
Connecting...	In the process of connecting to Alarm.com
Updating...	Updating signal level

In addition, some of the information can be retrieved via long key presses from the keypad. Press and hold the following panel keys for 2 seconds to display the given information on the panel display. Most messages are displayed for less than 30 seconds but can be cut short by pressing the 0 Key for 2 seconds.

Table 1-6 LTE module statuses

1 key	10-digit module serial number. This number is needed to create the Alarm.com customer account
2 key	Module firmware version. (e.g., 181a)
3 key	Initiate communication test. Important: This is a required test to correctly complete the installation
5 key	Wireless signal strength level and module status or error, if any. The panel will display the signal level in bars (0 to 5) and as a numerical value (0 to 31) followed by the connection mode (LTE). (See "LTE Module Statuses" in Table 2)
6 key	Battery voltage as read by the module, to two decimal places, and the AC power status. (e.g., Battery: 6.79v, AC Power OK)
8 key	LTE frequency used by the module: "High" = 1900MHz,2100MHz; "Low" = 850 MHz.

Improving wireless signal strength

As you make changes to the module location to improve signal strength, request updated signal readings to verify changes. To request an updated reading, press and hold the "5" key for 2 seconds.

Guidelines for optimal wireless signal strength:

- Install the module above ground level, as high up as possible within the structure.
- Install the module near or adjacent to an exterior-facing wall of the structure.
- Do not install the module inside a metal structure or close to large metal objects or ducts.
- Change the orientation or placement of the antennas and test to see if there is an improvement in signal strength. An optional external extension antenna (LTE-8ANTP) can also be added if required.

Installer programming

Table 1-7 Installer programming

Menu	Description
Installer Programming	Press [*][8] [Installer Code] [851] to enter Interactive Services menu
--LTE Module Status	Scroll down through the various LTE module information screens
--Radio	Signal level, connection status, roaming status, and errors (if any)
---LTE Freq.	LTE frequency used by the module
---SN	Module serial number. Needed to create or troubleshoot an Alarm.com account
---SIM Card	SIM card number. Sometimes needed to troubleshoot an account.
---Version	LTE module firmware version and sub-version. Example: 181a; 181 = module firmware version, a = subversion
---Advanced - Network	For Alarm.com use only
--Z-Wave Setup ²	This menu is used to add, remove, and troubleshoot Z-Wave devices and networks. To control Z-Wave devices via the Alarm.com website and smart phone apps, you will also need to enable Z-Wave services on the account

Menu	Description
Installer Programming	Press [*][8] [Installer Code] [851] to enter Interactive Services menu
--Number of Z-Wave Devices ²	The total number of Z-Wave devices currently known to the HSPA module
---Add Z-Wave Device ²	Press [*] to enter Z-Wave Add Mode. Make sure the device being added is powered up and within 3 to 6 feet of the IMPASSA panel. Refer to the manufacturer's instructions for button presses required to enroll devices
---Remove Z-Wave Device ²	Press [*] to remove an existing Z-Wave device, or to "reset" a Z-Wave device that was previously learned into a different Z-Wave network. Previously enrolled devices must be reset before they can be enrolled into the module
---Z-Wave Home ID ²	Press [*] to query the Z-Wave network Home ID. If the ID is 0, verify that the module has communicated with Alarm.com and that the Alarm.com account is set up for Z-Wave.
---Image Sensor Setup ¹	An image sensor daughterboard is required to enable image sensor capabilities on the module. This menu is only active if an image sensor daughterboard is connected
---Learn Image Sensor ¹	Press [*] to enter Add Mode. Enroll the image sensor by inserting batteries or resetting
---Delete Image Sensor ¹	Press [*] and scroll to the image sensor to delete. Press [*] to delete
---Image Sensor Settings ¹	Press [*] and scroll to the image sensor of interest. Press [*]
---Image Sensor #[x] ¹	[x] is the sensor ID. Press [*] to view information on this image sensor.
----[Power Information] ¹	Gives information on the image sensor's battery level and power status
----Signal ¹	Signal strength of the communication between image sensor and image sensor daughterboard
----Test PIR ¹	Press [*] to put the image sensor in PIR Test Mode
----PIR Sensitivity ¹	Press [*] to view current selection. Scroll down to view sensitivity levels. Press [*] to select
----Rules ¹	Displays whether rules are confirmed
----MAC ¹	MAC address of image sensor
----Version ¹	Image sensor daughterboard version
----Last Talk ¹	Last image sensor talk time
---Extended Range Option	Press [*] to enable/disable extended range
---Communications Test	Press [*] to perform ADC communication test
User Functions	Press [*] [6] [Master Access Code] to enter User Functions menu. Then scroll to Interactive Services
--LTE Module Status	See Installer Programming section
--Radio	See Installer Programming section
--LTE Freq.	See Installer Programming section
--SN	See Installer Programming section
--SIM card	See Installer Programming section
--Version	See Installer Programming section
--Advanced - Network	See Installer Programming section
--Z-Wave Setup ²	See Installer Programming section
--Number of Z-Wave Devices ²	See Installer Programming section
---Add Z-Wave Device ²	See Installer Programming section
---Remove Z-Wave Device ²	See Installer Programming section
---Z-Wave Home ID ²	See Installer Programming section
---Image Sensor Setup ¹	See Installer Programming section
---Image Sensor #[x] ¹	See Installer Programming section
----[Power Information] ¹	See Installer Programming section
----Signal ¹	See Installer Programming section

Menu	Description
Installer Programming	Press [*][8] [Installer Code] [851] to enter Interactive Services menu
---Test PIR ¹	See Installer Programming section
--Communication Test	See Installer Programming section

¹ An interactive Alarm.com account with an image sensor service plan is required for image capabilities and features.

² Refer to the Home Automation installation instructions and guides on the Alarm.com Dealer Site for more information on Z-Wave enrollment and troubleshooting.

Ratings and specifications

Table 1-8 Rating and specifications

Compatibility	IMPASSA panels with software versions 1.3 and later
Input voltage	4 VDC (supplied by compatible control panel)
Standby current	150 mA
Alarm current	400 mA
Operating temperature	14 to 131°F (-10 to 55° C)
Storage temperature	-30 to 140°F (-34 to 60° C)
Max. relative humidity	90% non-condensing
Cellular network	LTE
Dimensions	(H x W) 3.25 x 4.25 in. (8.23 x 10.80 cm)

Regulatory information

Note: For UL/ULC applications, the temperature rating is 0-49° C and the maximum relative humidity rating is 85% RH.

Changes or modifications not expressly approved by DSC can void the user's authority to operate the equipment. This equipment has been tested and found to comply with the limits for a Class B digital device, pursuant to part 15 of the FCC Rules. These limits are designed to provide reasonable protection against harmful interference in a residential installation. This equipment generates, uses, and can radiate radio frequency energy and, if not installed and used in accordance with the instructions, may cause harmful interference to radio communications. However, there is no guarantee that interference will not occur in a particular installation. If this equipment does cause harmful interference to radio or television reception, which can be determined by turning the equipment off and on, the user is encouraged to try to correct the interference by one or more of the following measures:

- Reorient or relocate the receiving antenna.
- Increase the separation between the equipment and receiver.
- Connect the equipment in to an outlet on a circuit different from that which the receiver is connected
- Consult the dealer or an experienced radio/TV technician for help.

This equipment complies with FCC and Industry standards RF radiation exposure limits set forth for an uncontrolled environment. This equipment should be installed and operated with a minimum distance of 20 centimeters between the radiator and your body.

Under Industry Canada regulations, this radio transmitter only operates using an antenna of a type and maximum (or lesser) gain approved for the transmitter by Industry Canada. To reduce potential radio interference to others, the antenna type and its gain should be so chosen that the equivalent isotropically radiated power (e.i.r.p.) is not more than that necessary for successful communication.

Conformément à la réglementation d'Industrie Canada, le présent émetteur radio peut fonctionner avec une antenne d'un type et d'un gain maximal (ou inférieur) approuvé pour l'émetteur par Industrie Canada. Dans le

but de réduire les risques de brouillage radioélectrique à l'intention des autres utilisateurs, il faut choisir le type d'antenne et son gain de sorte que la puissance isotrope rayonnée équivalente (p.i.r.e.) ne dépasse pas l'intensité nécessaire à l'établissement d'une communication satisfaisante.

This device complies with Industry Canada licence-exempt RSS standard(s). Operation is subject to the following two conditions: (1) this device may not cause interference, and (2) this device must accept any interference, including interference that may cause undesired operation of the device. Le présent appareil est conforme aux CNR d'Industrie Canada applicables aux appareils radio exempts de licence. L'exploitation est autorisée aux deux conditions suivantes : (1) l'appareil ne doit pas produire de brouillage, et (2) l'utilisateur de l'appareil doit accepter tout brouillage radioélectrique subimême si le brouillage est susceptible d'en compromettre le fonctionnement.

Industry Canada statement

NOTICE: This Equipment, SCW9055(D)(1)-433, SCW9057(D)(1)-433 meets the applicable Industry Canada Terminal Equipment Technical Specifications. This is confirmed by the registration number. The abbreviation, IC, before the registration number signifies that registration was performed based on a Declaration of Conformity indicating that Industry Canada technical specifications were met. It does not imply that Industry Canada approved the equipment

NOTICE: The Ringer Equivalence Number (REN) for this terminal equipment is 0.1. The REN assigned to each terminal equipment provides an indication of the maximum number of terminals allowed to be connected to a telephone interface. The termination on an interface may consist of any combination of devices subject only to the requirement that the sum of the Ringer Equivalence Numbers of all devices does not exceed five. L'indice d'équivalence de la sonnerie (IES) sert à indiquer le nombre maximal de terminaux qui peuvent être raccordés à une interface téléphonique. La terminaison d'une interface peut consister en une combinaison quelconque de dispositifs, à la seule condition que la somme d'indices d'équivalence de la sonnerie de tous les dispositifs n'exécède pas 5.

Certification Number: IC: 160A-9057G

This Class B digital apparatus complies with Canadian ICES-003. Cet appareil numérique de la classe B est conforme à la norme NMB-003 du Canada.

FCC/ISED Canada wireless notice

This equipment complies with FCC and ISED Canada radiation exposure limits set forth for an uncontrolled environment. The antenna should be installed and operated with minimum distance of 20 m between the radiator and your body. The antenna(s) used for this transmitter must not be co-located or operating in conjunction with any other antenna or transmitter, except as described in this user manual.

Cet appareil est conforme aux limites d'exposition aux rayonnements de la IC pour un environnement contrôlé. L'antenne doit être installée de façon à garder une distance minimale de 20 centimètres entre la source de rayonnements et votre corps. L'antenne (s) utilisée pour cet émetteur ne doit pas être située ou opérant en conjonction avec une autre antenne ou émetteur, sauf tel que décrit dans ce mode d'emploi. Antenna gain must be below/Gain de l'antenne doit être ci-dessous:

Carrier	Frequency band (MHz)	Antenna gain (dBm)
LTE Verizon	700 (B13)	6.94
	AWS1700 (B4)	6.00

Warning: To satisfy FCC RF exposure requirements for mobile transmitting devices, a separation distance of 20cm or more must be maintained between the antenna of this device and persons during device operation.

For UL/ULC Listed installation the products are intended to be installed in accordance with the following:

- A. NFPA 70, "National Electrical Code."
- B. NFPA 72, "National Electrical Code."
- C. UL 1641, "Installation and Classification of Residential Burglar Alarm Systems."
- E. CSA C22.1 - Canadian Electrical Code, Part 1.
- F. CAN/ULC-S540 - Standard for the Installation of Residential Fire Warning Systems
- G. CAN/ULC-S310 - Standard for the Installation and Classification of Residential Burglary Alarm Systems.
- H. Local Authorities Having Jurisdiction (AHJ).
- I. Manufacturer's Installation Instructions.

For UL Residential Fire and Burglary installations, the TL8055LT is listed as a sole means of communication or as a back up when used in conjunction with a POTS line (dialer).

Notes for using Private, Corporate and High Speed Data Networks when using TL8055LT: Network access and domain access policies shall be set to restrict unauthorized network access, and "spoofing" or "denial of service" attacks. Select the internet service providers that have redundant servers/systems, back-up power, routers with firewalls enabled and methods to identify and protect against "denial of service" attacks (i.e., via "spoofing"). For ULC Residential Fire and Burglary installations the TL8055LT is listed as a sole means of communication or as a back-up when used in conjunction with a POTS line (dialer).

Limited warranty

Digital Security Controls warrants the original purchaser that for a period of twelve months from the date of purchase, the product shall be free of defects in materials and workmanship under normal use. During the warranty period, Digital Security Controls shall, at its option, repair or replace any defective product upon return of the product to its factory, at no charge for labour and materials. Any replacement and/or repaired parts are warranted for the remainder of the original warranty or ninety (90) days, whichever is longer. The original purchaser must promptly notify Digital Security Controls in writing that there is defect in material or workmanship, such written notice to be received in all events prior to expiration of the warranty period. There is absolutely no warranty on software and all software products are sold as a user license under the terms of the software license agreement included with the product. The Customer assumes all responsibility for the proper selection, installation, operation and maintenance of any products purchased from DSC. Custom products are only warranted to the extent that they do not function upon delivery. In such cases, DSC can replace or credit at its option.

International warranty

The warranty for international customers is the same as for any customer within Canada and the United States, with the exception that Digital Security Controls shall not be responsible for any customs fees, taxes, or VAT that may be due.

Warranty procedure

To obtain service under this warranty, please return the item(s) in question to the point of purchase. All authorized distributors and dealers have a warranty program. Anyone returning goods to Digital Security Controls must first obtain an authorization number. Digital Security Controls will not accept any shipment whatsoever for which prior authorization has not been obtained.

Conditions to void warranty

This warranty applies only to defects in parts and workmanship relating to normal use. It does not cover:

- damage incurred in shipping or handling;
- damage caused by disaster such as fire, flood, wind, earthquake or lightning;
- damage due to causes beyond the control of Digital Security Controls such as excessive voltage, mechanical shock or water damage;
- damage caused by unauthorized attachment, alterations, modifications or foreign objects;
- damage caused by peripherals (unless such peripherals were supplied by Digital Security Controls);
- defects caused by failure to provide a suitable installation environment for the products;
- damage caused by use of the products for purposes other than those for which it was designed;
- damage from improper maintenance;
- damage arising out of any other abuse, mishandling or improper application of the products.

Items not covered by warranty

In addition to the items which void the Warranty, the following items shall not be covered by Warranty: (i) freight cost to the repair centre; (ii) products which are not identified with DSC's product label and lot

number or serial number; (iii) products disassembled or repaired in such a manner as to adversely affect performance or prevent adequate inspection or testing to verify any warranty claim. Access cards or tags returned for replacement under warranty will be credited or replaced at DSC's option. Products not covered by this warranty, or otherwise out of warranty due to age, misuse, or damage shall be evaluated, and a repair estimate shall be provided. No repair work will be performed until a valid purchase order is received from the Customer and a Return Merchandise Authorisation number (RMA) is issued by DSC's Customer Service.

Digital Security Controls's liability for failure to repair the product under this warranty after a reasonable number of attempts will be limited to a replacement of the product, as the exclusive remedy for breach of warranty. Under no circumstances shall Digital Security Controls be liable for any special, incidental, or consequential damages based upon breach of warranty, breach of contract, negligence, strict liability, or any other legal theory. Such damages include, but are not limited to, loss of profits, loss of the product or any associated equipment, cost of capital, cost of substitute or replacement equipment, facilities or services, down time, purchaser's time, the claims of third parties, including customers, and injury to property. The laws of some jurisdictions limit or do not allow the disclaimer of consequential damages. If the laws of such a jurisdiction apply to any claim by or against DSC, the limitations and disclaimers contained here shall be to the greatest extent permitted by law. Some states do not allow the exclusion or limitation of incidental or consequential damages, so that the above may not apply to you.

Disclaimer of warranties

This warranty contains the entire warranty and shall be in lieu of any and all other warranties, whether expressed or implied (including all implied warranties of merchantability or fitness for a particular purpose) And of all other obligations or liabilities on the part of Digital Security Controls Digital Security Controls neither assumes responsibility for, nor authorizes any other person purporting to act on its behalf to modify or to change this warranty, nor to assume for it any other warranty or liability concerning this product.

This disclaimer of warranties and limited warranty are governed by the laws of the province of Ontario, Canada.

Digital Security Controls recommends that the entire system be completely tested on a regular basis. However, despite frequent testing, and due to, but not limited to, criminal tampering or electrical disruption, it is possible for this product to fail to perform as expected.

Installer's lockout

Any products returned to DSC which have the Installer's Lockout option enabled and exhibit no other problems will be subject to a service charge.

Out of warranty repairs

Digital Security Controls will at its option repair or replace out-of-warranty products which are returned to its factory according to the following conditions. Anyone returning goods to Digital Security Controls must first obtain an authorization number. Digital Security Controls will not accept any shipment whatsoever for which prior authorization has not been obtained.

Products which Digital Security Controls determines to be repairable will be repaired and returned. A set fee which Digital Security Controls has predetermined and which may be revised from time to time, will be charged for each unit repaired.

Products which Digital Security Controls determines not to be repairable will be replaced by the nearest equivalent product available at that time. The current market price of the replacement product will be charged for each replacement unit.

End User License Agreement

IMPORTANT - READ CAREFULLY: DSC Software purchased with or without Products and Components is copyrighted and is purchased under the following license terms:

This End-User License Agreement (“EULA”) is a legal agreement between You (the company, individual or entity who acquired the Software and any related Hardware) and Digital Security Controls, a division of Tyco Safety Products Canada Ltd. (“DSC”), the manufacturer of the integrated security systems and the developer of the software and any related products or components (“HARDWARE”) which You acquired.

If the DSC software product (“SOFTWARE PRODUCT” or “SOFTWARE”) is intended to be accompanied by HARDWARE, and is NOT accompanied by new HARDWARE, You may not use, copy or install the SOFTWARE PRODUCT. The SOFTWARE PRODUCT includes computer software, and may include associated media, printed materials, and “online” or electronic documentation.

Any software provided along with the SOFTWARE PRODUCT that is associated with a separate end-user license agreement is licensed to You under the terms of that license agreement.

By installing, copying, downloading, storing, accessing or otherwise using the SOFTWARE PRODUCT, You agree unconditionally to be bound by the terms of this EULA, even if this EULA is deemed to be a modification of any previous arrangement or contract. If You do not agree to the terms of this EULA, DSC is unwilling to license the SOFTWARE PRODUCT to You, and You have no right to use it.

SOFTWARE PRODUCT LICENSE

The SOFTWARE PRODUCT is protected by copyright laws and international copyright treaties, as well as other intellectual property laws and treaties. The SOFTWARE PRODUCT is licensed, not sold.

GRANT OF LICENSE This EULA grants You the following rights:

Software Installation and Use - For each license You acquire, You may have only one copy of the SOFTWARE PRODUCT installed.

Storage/Network Use - The SOFTWARE PRODUCT may not be installed, accessed, displayed, run, shared or used concurrently on or from different computers, including a workstation, terminal or other digital electronic device (“Device”). In other words, if You have several workstations, You will have to acquire a license for each workstation where the SOFTWARE will be used.

Backup Copy - You may make back-up copies of the SOFTWARE PRODUCT, but You may only have one copy per license installed at any given time. You may use the back-up copy solely for archival purposes. Except as expressly provided in this EULA, You may not otherwise make copies of the SOFTWARE PRODUCT, including the printed materials accompanying the SOFTWARE.

DESCRIPTION OF OTHER RIGHTS AND LIMITATIONS

Limitations on Reverse Engineering, Decompilation and Disassembly - You may not reverse engineer, decompile, or disassemble the SOFTWARE PRODUCT, except and only to the extent that such activity is expressly permitted by applicable law notwithstanding this limitation. You may not make any changes or modifications to the Software, without the written permission of an officer of DSC. You may not remove any proprietary notices, marks or labels from the Software Product. You shall institute reasonable measures to ensure compliance with the terms and conditions of this EULA.

Separation of Components - The SOFTWARE PRODUCT is licensed as a single product. Its component parts may not be separated for use on more than one HARDWARE unit.

Single INTEGRATED PRODUCT - If You acquired this SOFTWARE with HARDWARE, then the SOFTWARE PRODUCT is licensed with the HARDWARE as a single integrated product. In this case, the SOFTWARE PRODUCT may only be used with the HARDWARE as set forth in this EULA.

Rental - You may not rent, lease or lend the SOFTWARE PRODUCT. You may not make it available to others or post it on a server or web site.

Software Product Transfer - You may transfer all of Your rights under this EULA only as part of a permanent sale or transfer of the HARDWARE, provided You retain no copies, You transfer all of the SOFTWARE PRODUCT (including all component parts, the media and printed materials, any upgrades and this EULA), and provided the recipient agrees to the terms of this EULA. If the SOFTWARE PRODUCT is an upgrade, any transfer must also include all prior versions of the SOFTWARE PRODUCT.

Termination - Without prejudice to any other rights, DSC may terminate this EULA if You fail to comply with the terms and conditions of this EULA. In such event, You must destroy all copies of the SOFTWARE PRODUCT and all of its component parts.

Trademarks - This EULA does not grant You any rights in connection with any trademarks or service marks of DSC or its suppliers.

COPYRIGHT - All title and intellectual property rights in and to the SOFTWARE PRODUCT (including but not limited to any images, photographs, and text incorporated into the SOFTWARE PRODUCT), the accompanying printed materials, and any copies of the SOFTWARE PRODUCT, are owned by DSC or its suppliers. You may not copy the printed materials accompanying the SOFTWARE PRODUCT. All title and intellectual property rights in and to the content which may be accessed through use of the SOFTWARE PRODUCT are the property of the respective content owner and may be protected by applicable copyright or other intellectual property laws and treaties. This EULA grants You no rights to use such content. All rights not expressly granted under this EULA are reserved by DSC and its suppliers.

EXPORT RESTRICTIONS - You agree that You will not export or re-export the SOFTWARE PRODUCT to any country, person, or entity subject to Canadian export restrictions.

CHOICE OF LAW - This Software License Agreement is governed by the laws of the Province of Ontario, Canada.

ARBITRATION - All disputes arising in connection with this Agreement shall be determined by final and binding arbitration in

accordance with the Arbitration Act, and the parties agree to be bound by the arbitrator's decision. The place of arbitration shall be Toronto, Canada, and the language of the arbitration shall be English.

LIMITED WARRANTY

NO WARRANTY - DSC PROVIDES THE SOFTWARE "AS IS" WITHOUT WARRANTY. DSC DOES NOT WARRANT THAT THE SOFTWARE WILL MEET YOUR REQUIREMENTS OR THAT OPERATION OF THE SOFTWARE WILL BE UNINTERRUPTED OR ERROR-FREE.

CHANGES IN OPERATING ENVIRONMENT - DSC shall not be responsible for problems caused by changes in the operating characteristics of the HARDWARE, or for problems in the interaction of the SOFTWARE PRODUCT with non-DSC-SOFTWARE or HARDWARE PRODUCTS.

LIMITATION OF LIABILITY; WARRANTY REFLECTS ALLOCATION OF RISK - IN ANY EVENT, IF ANY STATUTE IMPLIES WARRANTIES OR CONDITIONS NOT STATED IN THIS LICENSE AGREEMENT, DSC'S ENTIRE LIABILITY UNDER ANY PROVISION OF THIS LICENSE AGREEMENT SHALL BE LIMITED TO THE GREATER OF THE AMOUNT ACTUALLY PAID BY YOU TO LICENSE THE SOFTWARE PRODUCT AND FIVE CANADIAN DOLLARS (CAD\$5.00). BECAUSE SOME JURISDICTIONS DO NOT ALLOW THE EXCLUSION OR LIMITATION OF LIABILITY FOR CONSEQUENTIAL OR INCIDENTAL DAMAGES, THE ABOVE LIMITATION MAY NOT APPLY TO YOU.

DISCLAIMER OF WARRANTIES - THIS WARRANTY CONTAINS THE ENTIRE WARRANTY AND SHALL BE IN LIEU OF ANY AND ALL OTHER WARRANTIES, WHETHER EXPRESSED OR IMPLIED (INCLUDING ALL IMPLIED WARRANTIES OF MERCHANTABILITY OR FITNESS FOR A PARTICULAR PURPOSE) AND OF ALL OTHER OBLIGATIONS OR LIABILITIES ON THE PART OF DSC. DSC MAKES NO OTHER WARRANTIES. DSC NEITHER ASSUMES NOR AUTHORIZES ANY OTHER PERSON PURPORTING TO ACT ON ITS BEHALF TO MODIFY OR TO CHANGE THIS WARRANTY, NOR TO ASSUME FOR IT ANY OTHER WARRANTY OR LIABILITY CONCERNING THIS SOFTWARE PRODUCT.

EXCLUSIVE REMEDY AND LIMITATION OF WARRANTY - UNDER NO CIRCUMSTANCES SHALL DSC BE LIABLE FOR ANY SPECIAL, INCIDENTAL, CONSEQUENTIAL OR INDIRECT DAMAGES BASED UPON BREACH OF WARRANTY, BREACH OF CONTRACT, NEGLIGENCE, STRICT LIABILITY, OR ANY OTHER LEGAL THEORY. SUCH DAMAGES INCLUDE, BUT ARE NOT LIMITED TO, LOSS OF PROFITS, LOSS OF THE SOFTWARE PRODUCT OR ANY ASSOCIATED EQUIPMENT, COST OF CAPITAL, COST OF SUBSTITUTE OR REPLACEMENT EQUIPMENT, FACILITIES OR SERVICES, DOWN TIME, PURCHASERS TIME, THE CLAIMS OF THIRD PARTIES, INCLUDING CUSTOMERS, AND INJURY TO PROPERTY.

DSC recommends that the entire system be completely tested on a regular basis. However, despite frequent testing, and due to, but not limited to, criminal tampering or electrical disruption, it is possible for this SOFTWARE PRODUCT to fail to perform as expected.

© 2019 Tyco Security Products. All Rights Reserved.
Tech Support: 1-800-387-3630 (Canada & U.S.) or 905-760-3000
www.dsc.com

The trademarks, logos, and service marks displayed on this document are registered in the United States [or other countries]. Any misuse of the trademarks is strictly prohibited and Tyco will aggressively enforce its intellectual property rights to the fullest extent of the law, including pursuit of criminal prosecution wherever necessary. All trademarks not owned by Tyco are the property of their respective owners, and are used with permission or allowed under applicable laws.

Product offerings and specifications are subject to change without notice. Actual products may vary from photos. Not all products include all features. Availability varies by region; contact your sales representative.

DSC

From Tyco Security Products



29009363R004

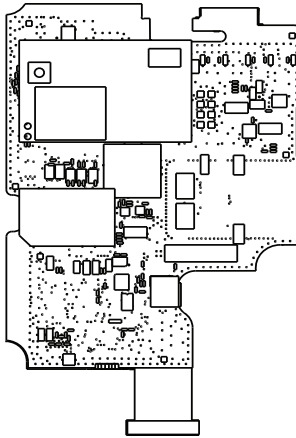
DSC

From Tyco Security Products

IMPASSA

Controlador de doble ruta TL8055LT LTE

V1.3 Manual de instalación



ADVERTENCIA: Este manual contiene información sobre las limitaciones con respecto al uso y función del producto, así como información sobre las limitaciones relacionadas con la responsabilidad civil del fabricante. Debe leerse todo el manual cuidadosamente.

Advertencia: Instalador lea cuidadosamente	4
Nota para los Instaladores	4
Fallas del Sistema	4
Acceso por Intrusos	4
Falla de un Componente	4
Compromiso de Frecuencia de Radio (Inalámbricos)	4
Conocimiento Criminal	4
Falla en Baterías Reemplazables	4
Instalación Inadecuada	4
Prueba Incorrecta	4
Tiempo Insuficiente	4
Detectores de Movimiento	4
Falla de Energía	5
Seguridad y Seguro	5
Detectores de Humo	5
Líneas Telefónicas	5
Dispositivos de Advertencia	5
LTE de Alarm.com	6
Introducción a los módulos Alarm.com	6
Módulo LTE TL8055LT	6
Información de contacto	6
Compatibilidad	6
Instalación	6
REQUISITOS DE INSTALACIÓN UL/ULC	6
Pasos de instalación del módulo del panel no preinstalado	7
Encendido	8
Asociar sensor de imagen de Alarm.com	8
Prueba de teléfono LTE (Módulo de registro)	8
Configuración del panel	9
Armado Noche	9
Configuración de la estación central y la línea telefónica	9
Voz bidireccional	9
Atributos de zona	9
Notificaciones	10
No soportado	10
Cambio automático de ajustes del panel	10
Solución de problemas: Información de estado del módulo	11
Mejora de la potencia de la señal inalámbrica	12
Programación del instalador	12
Especificaciones	14
Información reglamentaria	14
Garantía Limitada	16

Garantía Internacional	16
Procedimiento de la Garantía	16
Condiciones para Cancelar la Garantía	16
Items no cubiertos por la Garantía	16
Renuncia de Garantías	16
Cierre del Instalador	17
Reparaciones Fuera de la Garantía	17
Acuerdo de licencia de usuario final	17
LICENCIA DE PRODUCTO DE SOFTWARE	17
DESCRIPCIÓN DE OTROS DERECHOS Y LIMITACIONES	17
GARANTÍA LIMITADA	18

Advertencia: Instalador lea cuidadosamente

Nota para los Instaladores

Las Advertencias en esta página contienen información vital. Como el único individuo en contacto con los usuarios del sistema, es su responsabilidad informar sobre cada artículo en esta advertencia a los usuarios de este sistema.

Fallas del Sistema

El sistema ha sido cuidadosamente diseñado para ser tan efectivo como sea posible. Hay circunstancias, sin embargo, incluyendo incendio, robo u otro tipo de emergencias donde no podrá proveer protección. Cualquier sistema de alarma de cualquier tipo puede ser comprometido deliberadamente o puede fallar al operar como se espera por una cantidad de razones. Algunas pero no todas pueden ser:

Acceso por Intrusos

Los intrusos pueden entrar a través de un punto de acceso no protegido, burlar un dispositivo de sensor, evadir detección moviéndose a través de un área de cubrimiento insuficiente, desconectar un dispositivo de advertencia, o interferir o evitar la operación correcta del sistema.

Falla de un Componente

A pesar que todos los esfuerzos que se han realizado para hacer que el sistema sea lo más confiable, el sistema puede fallar en su función como se ha diseñado debido a la falla de un componente.

Compromiso de Frecuencia de Radio (Inalámbricos)

Las señales no podrán alcanzar el receptor bajo todas las circunstancias las cuales incluyen objetos metálicos colocados en o cerca del camino del radio o interferencia deliberada y otra interferencia de señal de radio inadvertida.

Conocimiento Criminal

Este sistema contiene características de seguridad las cuales fueron conocidas para ser efectivas en el momento de la fabricación. Es posible que personas con intenciones criminales desarrollen técnicas las cuales reducen la efectividad de estas características. Es muy importante que el sistema de seguridad se revise periódicamente, para asegurar que sus características permanezcan efectivas y que sean actualizadas o reemplazadas si se ha encontrado que no proporcionan la protección esperada.

Falla en Baterías Reemplazables

Los transmisores inalámbricos de este sistema han sido diseñados para proporcionar años de duración de la batería bajo condiciones normales. La esperada vida de duración de la batería, es una función del ambiente, el uso y el tipo del dispositivo. Las condiciones ambientales tales como la exagerada humedad, altas o bajas temperaturas, o cantidades de oscilaciones de temperaturas pueden reducir la duración de la batería. Mientras que cada dispositivo de transmisión tenga un monitor de batería bajo el cual identifica cuando la batería necesita ser

reemplazada, este monitor puede fallar al operar como es debido. Pruebas y mantenimiento regulares mantendrán el sistema en buenas condiciones de funcionamiento.

Instalación Inadecuada

Un sistema de seguridad debe ser instalado correctamente en orden para proporcionar una adecuada protección. Cada instalación debe ser evaluada por un profesional de seguridad, para asegurar que todos los puntos y las áreas de acceso están cubiertas. Cerraduras y enganches en ventanas y puertas deben estar seguras y operar como está diseñado. Ventanas, puertas, paredes, cielo rasos y otros materiales del local deben poseer suficiente fuerza y construcción para proporcionar el nivel de protección esperado. Una reevaluación se debe realizar durante y después de cualquier actividad de construcción. Una evaluación por el departamento de policía o bomberos es muy recomendable si este servicio está disponible.

Prueba Incorrecta

La mayoría de los problemas que evitan que un sistema de alarma falle en operar como es debido puede ser encontrada por medio de pruebas y mantenimiento regular. Todo el sistema debe ser probado semanalmente e inmediatamente después de una intrusión, un intento de intrusión, incendio, tormenta, terremoto, accidente o cualquier clase de actividad de construcción dentro o fuera de la premisa. La prueba debe incluir todos los dispositivos de sensor, teclados, consolas, dispositivos para indicar alarmas y otros dispositivos operacionales que sean parte del sistema.

Tiempo Insuficiente

Pueden existir circunstancias cuando el sistema funcione como está diseñado, y aún los ocupantes no serán protegidos de emergencias debido a su inhabilidad de responder a las advertencias en cuestión de tiempo. Si el sistema es supervisado, la respuesta puede no ocurrir a tiempo para proteger a los ocupantes o sus pertenencias.

Detectores de Movimiento

Los detectores de movimiento solamente pueden detectar movimiento dentro de las áreas designadas como se muestra en las respectivas instrucciones de instalación. Los detectores de movimiento no pueden discriminar entre intrusos y los que habitan el local o residencia. Los detectores de movimiento no proporcionan un área de protección volumétrica. Estos poseen múltiples rayos de detección y el movimiento solamente puede ser detectado en áreas no obstruidas que están cubiertas por estos rayos. Ellos no pueden detectar movimiento que ocurre detrás de las paredes, cielo rasos, pisos, puertas cerradas, separaciones de vidrio, puertas o ventanas de vidrio. Cualquier clase de sabotaje ya sea intencional o sin intención tales como encubrimiento, pintando o regando cualquier tipo de material en los lentes, espejos, ventanas o cualquier otra parte del sistema de detección perjudicará su correcta operación. Los detectores de movimiento pasivos infrarrojos operan detectando cambios en la temperatura. Sin embargo su efectividad puede ser reducida cuando la temperatura del ambiente aumenta o disminuye de la temperatura del cuerpo o si hay orígenes intencionales o sin intención de calor en o cerca del área de detección. Algunos de los orígenes de calor pueden ser calentadores, radiadores, estufas, asadores, chimeneas, luz solar, ventiladores de vapor, alumbrado y así sucesivamente.

Falla de Energía

Las unidades de control, los detectores de intrusión, detectores de humo y muchos otros dispositivos de seguridad requieren un suministro de energía adecuada para una correcta operación. Si un dispositivo opera por baterías, es posible que las baterías fallen. Aún si las baterías no han fallado, estas deben ser cargadas, en buena condición e instaladas correctamente. Si un dispositivo opera por corriente CA, cualquier interrupción, aún lenta, hará que el dispositivo no funcione mientras no tiene energía. Las interrupciones de energía de cualquier duración son a menudo acompañadas por fluctuaciones en el voltaje lo cual puede dañar equipos electrónicos tales como sistemas de seguridad. Después de que ocurre una interrupción de energía, inmediatamente conduzca una prueba completa del sistema para asegurarse que el sistema esté funcionando como es debido.

Seguridad y Seguro

A pesar de sus capacidades, un sistema de alarma no es un sustituto de un seguro de propiedad o vida. Un sistema de alarma tampoco es un sustituto para los dueños de la propiedad, inquilinos, u otros ocupantes para actuar prudentemente a prevenir o minimizar los efectos dañinos de una situación de emergencia.

Detectores de Humo

Los detectores de humo, que son una parte del sistema, pueden no alertar correctamente a los ocupantes de un incendio por un número de razones, algunas son las siguientes. Los detectores de humo pueden haber sido instalados o ubicados incorrectamente. El humo no puede ser capaz de alcanzar los detectores de humo, como cuando el fuego es en la chimenea, paredes o techos, o en el otro lado de las puertas cerradas. Los detectores de humo no pueden detectar humo de incendios en otros niveles de la residencia o edificio. Cada incendio es diferente en la cantidad de humo producida y la velocidad del incendio. Los detectores de humo no pueden detectar igualmente bien todos los tipos de incendio. Los detectores de humo no pueden proporcionar una advertencia rápidamente de incendios causados por descuido o falta de seguridad como el fumar en cama, explosiones violentas, escape de gas, el incorrecto almacenamiento de materiales de combustión, circuitos eléctricos sobrecargados, el juego con fósforos por parte de los niños o un incendio provocado. Aún si el detector de humo funciona como está diseñado, pueden haber circunstancias donde hay insuficiente tiempo de advertencia para permitir a los ocupantes escapar a tiempo para evitar heridas o muerte.

Líneas Telefónicas

Si las líneas telefónicas son usadas para transmitir alarmas, ellas pueden estar fuera de servicio u ocupadas por cierto tiempo. También un intruso puede cortar la línea o sabotear su operación por medios más sofisticados lo cual sería de muy difícil la detección.

Dispositivos de Advertencia

Los dispositivos de advertencia, tales como sirenas, campanas, bocina, o estroboscópicos no podrán alertar o despertar a alguien durmiendo si hay una puerta o pared intermedio. Si los dispositivos de advertencia están localizados en un nivel diferente de la residencia o premisas, por lo tanto es menos posible que los ocupantes puedan ser advertidos o despertados. Los dispositivos de advertencia audible pueden ser interferidos por otros orígenes de ruidos como equipos de sonido, radios, televisión, acondicionadores de aire u otros electrodomésticos., o el trá-

fico. Los dispositivos de advertencia audible, inclusive de ruido fuerte, pueden no ser escuchados por personas con problemas del oído.

LTE DE ALARM.COM

Este manual describe los módulos de Alarm.com utilizados con los modelos SCW9055/57.

Introducción a los módulos Alarm.com

Las siguientes secciones introductorias identifican los módulos Alarm.com y ofrecen una breve descripción de sus capacidades.

Módulo LTE TL8055LT

El módulo LTE permite reportes inalámbricos de todas las alarmas y otros eventos del sistema del panel de control IMPASSA de DSC utilizando una red inalámbrica (celular) LTE, completamente digital. El módulo puede ser utilizado como ruta de comunicación primaria para todas las señales de alarma, o como una copia de seguridad de una conexión telefónica a la estación central de monitoreo. El servicio de señalización y enrutamiento de alarma inalámbrica es operado por Alarm.com. El módulo LTE también cuenta con soporte integrado para la solución de automatización del hogar de Alarm.com con capacidades de Z-Wave incorporadas.

Información de contacto

Para información adicional y apoyo sobre los módulos de Alarm.com, configuración inicial de la cuenta, automatización del hogar y todos los otros productos y servicios de Alarm.com, visite: www.Alarm.com/dealer o contacte con el soporte técnico de Alarm.com al: 1-866-834-0470.

Compatibilidad

El módulo LTE es compatible con LOS paneles IMPASSA de DSC: SCW9055G-433 y SCW9057G-433. Tenga en cuenta que la versión 9055 no es compatible con la comunicación de voz bidireccional.

Instalación

Siga estas pautas durante la instalación:

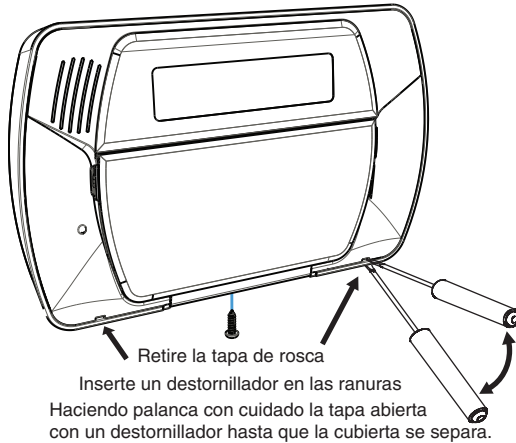
- Antes de colocar el panel en la pared, compruebe el nivel de señal LTE en la ubicación de la instalación. En el panel de IMPASSA, mantenga presionada la tecla 5 durante 2 segundos para ver el nivel de la señal LTE. Se recomienda una ubicación de instalación con un nivel de señal sostenida de dos o más barras.
- No exceda la potencia total de salida del panel al utilizar alimentación del panel para el módulo LTE, sensores cableados y/o sirenas. Consulte los detalles en las instrucciones de instalación del panel específico. Sólo se puede utilizar un módulo LTE de Alarm.com por panel IMPASSA.
- El módulo LTE consume un promedio de 100 mA durante funcionamiento normal. En el modo de ahorro de energía, durante o inmediatamente después de un fallo de la alimentación de CA, el módulo consumirá sólo un promedio de 5 mA (10 mA con una tarjeta secundaria de sensor de imagen).
- Para minimizar la posible interferencia con la señalización celular, evite montar el panel en áreas con metales o cableados eléctricos excesivos, tales como hornos o salas de máquinas.

REQUISITOS DE INSTALACIÓN UL/ULC

Para aplicaciones residenciales de fuego y robo ULC, el TL8055LT pueden utilizarse como canal de comunicación principal vía celular, o como un respaldo junto con el Transmisor del comunicador de alarma digital (DACT). La transmisión de prueba cada 24 horas está habilitada en cada canal.

Para aplicaciones residenciales de fuego y robo UL, el TL8055LT pueden utilizarse como canal de comunicación principal vía celular, o como un respaldo junto con el DACT. (Se requiere una transmisión de prueba de 30 días en cada canal).

Figura 1-1 Vista frontal del panel de IMPASSA



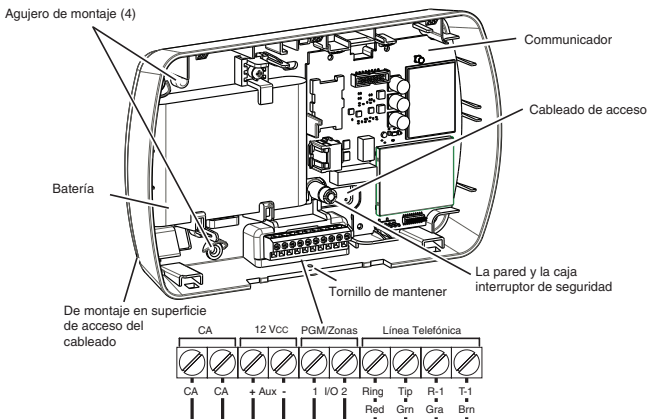
Pasos de instalación del módulo del panel no preinstalado

Si el panel incluye el módulo preinstalado, sólo se requiere una prueba de teléfono LTE. De lo contrario, la instalación incluye los siguientes pasos:

1. El compartimento del módulo se puede encontrar detrás del panel frontal que se abre hacia abajo, a la derecha del compartimento de las baterías como se ve en la siguiente figura.

Figura 1-2 Compartimento del módulo del panel IMPASSA

SCW 9055/57 (G, I, D Modelos)



2. Empuje el extremo de la antena en el conector del módulo para ajustar la antena en el módulo.
3. Insertar el módulo inclinando el extremo del módulo, donde la antena se fija hacia abajo, asegurándose de que el borde del módulo se encuentre por debajo de las lengüetas de plástico situadas en la parte superior del panel (véase la figura anterior). Empuje el otro extremo del módulo hacia abajo, hasta que asiente por debajo de la lengüeta de plástico situada en la parte inferior del panel.

4. Coloque la antena en el espacio ranurado por encima del módulo.
5. Conecte el módulo al panel a través del cable plano de 16 pines. El conector plano se encuentra en la parte superior del módulo, cerca de la antena. En el panel, el conector plano se encuentra directamente frente al conector del módulo.

Encendido

Conecte la batería del panel y la alimentación de CA. Una vez que un módulo LTE está conectado a un panel de control alimentado, ver los elementos clave en la pantalla LCD. Asegúrese de que el módulo haya sido totalmente conectado al panel por medio del cable plano y a continuación, realice un ciclo de apagado y encendido siguiendo estos pasos:

1. Desconecte los cables de la batería y desenchufe el transformador de alimentación del panel de alimentación de CA.
2. Compruebe que el módulo se haya insertado correctamente y que la antena esté encajada por completo.
3. Conecte los terminales de la batería a la batería.
4. Enchufe el transformador de alimentación en la toma de CA.

Es importante conectar la batería antes de cerrar el IMPASSA, porque de otro modo, el panel emitirá un mensaje de "Baja batería del sistema" sin tener en cuenta el nivel de voltaje de la batería.

Nota: El ciclo de apagado y encendido eliminará los anuncios existentes.

Asociar sensor de imagen de Alarm.com

1. Asegúrese de que las baterías se hayan retirado del sensor.
2. En el panel, ingrese al menú Servicios interactivos. Los Servicios interactivos se pueden acceder a través de la sección [851] de la Programación del instalador.
3. Presione [*][8] [Código del instalador] [851].
4. Desplácese a Configuración del sensor de imagen y presione [*].
5. Desplácese a Aprender sensor de imagen y presione [*]. Esto mostrará "Encienda o reinicie S.I. ahora."
6. Inserte las baterías en el sensor. Espere aproximadamente 20 segundos para que la pantalla del panel de control muestre: "S.I. [x] añadido como sensor [y]." El LED del sensor se encenderá de forma continua durante 5 segundos, una vez que el sensor se ha asociado.
7. Realice otra prueba de comunicaciones del panel para asegurar que Alarm.com reciba la lista de equipos de dispositivo actualizados. Esto acelerará el proceso de inicialización del sensor.
 - El número de serie de la zona se programará automáticamente como FFFFXX en el siguiente espacio disponible en la sección [804][001] - [064] para indicar que la zona es un sensor de imagen. Los últimos 2 dígitos XX se utilizan para asignar el número de sensor de imagen y el rango es 01-FF. Por ejemplo, la ranura de zona 12 está programado con el número de serie FFFF03. Esto significa que el sensor de imagen 3 está asignado a la ranura de zona 12.
 - El tipo de zona y el atributo se pueden asignar en el menú del instalador, de una manera similar a otras zonas regulares.

Prueba de teléfono LTE (Módulo de registro)

Para iniciar la comunicación del módulo con Alarm.com y la red LTE por primera vez, lleve a cabo una "prueba de teléfono LTE". Tenga en cuenta que la prueba del teléfono también se puede utilizar en cualquier momento por el instalador para forzar la comunicación con Alarm.com. También se puede realizar una prueba de teléfono a través del menú de Servicios interactivos. Realice una prueba de teléfono manteniendo pulsado [3] durante dos segundos. Para realizar la prueba de teléfono en un IMPASSA, pulse [*] [6] seguido por el código maestro y [4].

El panel IMPASSA indica cuando la prueba de teléfono LTE se ha completado activando la salida de la sirena a volumen medio durante 2 segundos, seguido por volumen completo durante 2 segundos. Sin embargo, si la

prueba de teléfono se inició a través de la tecla [3], o por medio del menú de Servicios interactivos, la sirena no suena. Todas las luces de la pantalla y los píxeles del LCD se encienden. Esto indica que Alarm.com ha recibido y confirmado la señal. Esto no garantiza que la señal pasó a través de una estación central; confirma que el Centro de operaciones de red de Alarm.com ha recibido la señal. La estación central se debe contactar directamente para verificar que la señal fue recibida en la cuenta correcta y que la configuración de enrutamiento de la estación central se ha establecido correctamente. Si la señal no pasa a la estación central, el panel mostrará un mensaje "Falla de comunicación". Compruebe la configuración de redirección de la estación central de la cuenta de Alarm.com y póngase en contacto con el soporte técnico si el problema persiste.

Configuración del panel

Armado Noche

El panel de IMPASSA tiene la capacidad de Armado Noche, que arma el perímetro y restringe el movimiento a las zonas interiores designadas. El armado Noche a través del panel debe estar restringido a una de las cinco teclas de función. Para obtener más información acerca del Armado Noche y cómo programar las teclas de función, consulte la guía de instalación suministrada con el panel.

Configuración de la estación central y la línea telefónica

La configuración de la estación central y la línea de teléfono se realizarán automáticamente a través de la página de Configuración de redirección de CS de la página web del Distribuidor. Los siguientes son los ajustes del panel que se configurarán a través de la página web del Distribuidor y no deben configurarse en el panel:

Tabla 1-1 Configuración del panel

Sección	Opción	Descripción
015	7	Monitoreo de línea telefónica
301	--	Números de teléfono de comunicación
302	--	Números de teléfono de comunicación
303	--	Números de teléfono de comunicación
305	--	Números de teléfono de comunicación
310	--	Número de cuenta del sistema
350	Primer número telefónico	Opciones de formato del comunicador
350	Segundo número telefónico	Opciones de formato del comunicador
381	3	Códigos de informe
381	7	Códigos de informe
383	2	Opciones de copia de seguridad de número de teléfono
383	8	Formato de notificación remota

Voz bidireccional

La sección [600], opción [8] controla la forma en que el operador de CS inicia la sesión de audio bidireccional. Fije en ACTIVADO para que la sesión sea iniciada por el operador. Fije en DESACTIVADO para que la sesión se inicie inmediatamente después de que la sirena se apaga.

Atributos de zona

Las secciones [101] a [164] controlan los atributos de cada zona. La opción [5] habilita o deshabilita el Armado Forzado. Si esta opción está en la posición APAGADO, el sistema no puede ser armado si la zona está abierta.

Nota: El armado remoto de Alarm.com solicitará automáticamente la anulación de las zonas abiertas que tengan habilitado el atributo de anulación. Sólo compatible con IMPASSA V1.31+ e IMPASSA Communicator V181.5+.

Notificaciones

Los siguientes ajustes del panel puede alterar el comportamiento de las notificaciones de cliente:

Tabla 1-2 Configuración del panel

Sección	Opción	Descripción
015	4	Si esta opción está ACTIVADA, las notificaciones de armado de la llave a distancia no estarán asociados a un usuario específico
015	8	Si esta opción está DESACTIVADA, las notificaciones no estarán disponibles para sabotajes del panel. Ajuste a ACTIVADO para habilitar las notificaciones de sabotaje

No soportado

Los siguientes ajustes del panel de control se realizan de forma automática o no son compatibles, por lo que cualquier modificación de ellos será ignorada:

Tabla 1-3 Configuración del panel

Sección(es)	Opción(es)	Descripción
324-348	Todos	Códigos de Informe personalizado
377	Exclusión de zona (sabotajes y resto)	Máx. número de transmisiones
377	Exclusión de zona (manten. y resto)	Máx.
600	1-7	Control de audio bidireccional
601	Todos	Control de audio bidireccional
609-611	Todos	Códigos de informe

Cambio automático de ajustes del panel

Algunos ajustes del panel se cambian automáticamente cuando el módulo LTE está conectado al panel de control. Estos ajustes no deben ser modificados. Ellos son:

Tabla 1-4 Ajustes del panel cambiados automáticamente

Sección	Opción	Valor	Descripción
015	6	APAGADO	El código maestro no se puede cambiar y debe estar DESACTIVADO para asegurar que el módulo comunica el código maestro correcto
016	8	APAGADO	El horario de verano debe desactivarse para garantizar que la hora del panel sea exacta
024	5	APAGADO	El reloj en tiempo real debe desactivarse para garantizar que la hora del panel sea exacta
377	Retardo de comunicación de fallo CA	Valor aleatorio entre 001 y 030	El retardo de comunicación de avería de CA debe establecerse entre 001 y 030 para asegurar que las notificaciones de fallas de alimentación sean recibidas
377	Retardo de transmisión por baja batería en dispositivo inalámbrico	001	El retardo de transmisión de baja batería de dispositivo inalámbrico debe ajustarse a 001 para asegurar que las notificaciones de baja batería sean recibidas
380	1	ENCENDIDO	Las comunicaciones deben estar habilitadas para que el módulo pueda comunicarse con el panel
380	2	APAGADO	El sistema de alarma debe transmitir la restauración inmediatamente que se restaura la zona
382	5	ENCENDIDO	Las comunicaciones deben estar habilitadas para que el módulo pueda comunicarse con el panel
382	6	APAGADO	El Retardo de la transmisión de la avería de CA debe estar en minutos
701	5	APAGADO	Los códigos de acceso de usuario deben ser de 4 dígitos

Reloj: El módulo LTE ajusta el reloj del panel cuando se conecta a Alarm.com y luego lo actualiza cada 18 horas. Es importante seleccionar la zona horaria correcta del panel en el sitio web Alarm.com, o la hora del panel no será exacta. Si un sistema se enciende antes de que se haya creada la cuenta, la zona horaria por defecto será la Hora del Este.

Solución de problemas: Información de estado del módulo

Se puede encontrar información del estado del módulo para verificar y solucionar problemas del estado de la conexión del módulo o de errores mediante los menús de los Servicios interactivos en el IMPASSA. Para acceder a estos, pulse [*] [8] [Código del instalador] [851]. Consulte la tabla siguiente para los posibles estados de los módulos.

Tabla 1-5 Estado del módulo LTE

Inactivo	Estado más común. El módulo no está enviando datos de forma activa y no hay errores presentes
Roaming	Roaming en red asociada
Falta SIM	Falta la tarjeta SIM.
Modo de ahorro de energía	Alimentación de CA apagada
Registrando...	El módulo está intentando registrarse en la red LTE
Error de conexión	El módulo se ha registrado en la red LTE, pero no se puede conectar con Alarm.com. Póngase en contacto con el soporte técnico de Alarm.com para obtener más información
Error de radio	La parte del radio del módulo no está funcionando correctamente. Apague y encienda el panel y llame al soporte técnico de Alarm.com si el problema persiste
Error de servidor	Identifica un error de servidor. Si persiste, la cuenta puede haber sido configurada incorrectamente
Conectado	Actualmente conectado y transmitiendo información a los servidores de Alarm.com
Conectando...	En el proceso de conexión a Alarm.com
Actualizando...	Actualizando nivel de señal

Además, algo de la información puede recuperarse por medio de largas pulsaciones de teclas en el teclado. Pulse y mantenga pulsadas las siguientes teclas del panel durante 2 segundos para mostrar la información dada figura en la pantalla del panel. La mayoría de los mensajes se muestra durante menos de 30 segundos, pero pueden ser recortados presionando la tecla 0 durante 2 segundos.

Tabla 1-6 Estados del módulo LTE

1 tecla	Número de serie del módulo de 10 dígitos. Este número es necesario para crear la cuenta del cliente de Alarm.com
2 tecla	Versión del firmware del módulo. (por ejemplo, 181a)
3 tecla	Iniciar prueba de comunicación. Importante: Esta es una prueba requerida para completar correctamente la instalación.
5 tecla	Nivel de intensidad de la señal inalámbrica y el estado del módulo o error, si lo hay. El panel mostrará el nivel de señal en barras (0 a 5) y como un valor numérico (0 a 31) seguido por el modo de conexión (LTE). (Consulte el apartado "Estados del módulo LTE" en la Tabla 2)
6 tecla	Voltaje de la batería como se lee en el módulo, con dos decimales, y el estado de la alimentación de CA. (por ejemplo, Batería: 6,79 V, Alimentación de CA OK)
8 tecla	Frecuencia de LTE utilizada por el módulo: "Alta" = 1900 MHz, 2100 MHz; "Baja" = 850 MHz.

Mejora de la potencia de la señal inalámbrica

A medida que realiza cambios en la ubicación del módulo para mejorar la potencia de la señal, solicite lecturas de señal actualizadas para verificar los cambios. Para solicitar una lectura actualizada, mantenga pulsada la tecla "5" durante 2 segundos.

Pautas para una óptima potencia de la señal inalámbrica:

- Instale el módulo por encima del nivel del suelo, tan alto como sea posible dentro de la estructura.
- Instalar el módulo cerca o al lado de una pared exterior de la estructura.
- No instale el módulo dentro de una estructura de metal o cerca de grandes objetos metálicos o conductos.
- Actualice la antena. Póngase en contacto con el soporte técnico de Alarm.com para conocer las opciones de antena.

Programación del instalador

Tabla 1-7 Programación del instalador

Menú	Descripción
Instalador Programación	Pulse [*] [8] [Código del Instalador] [851] para acceder al menú de Servicios interactivos
--Estado del módulo LTE	Desplácese hacia abajo a través de las diferentes pantallas de información del módulo LTE
---Radio	Nivel de señal, estado de conexión, estado de roaming y errores (si los hay)
---Frecuencia de LTE	Frecuencia de LTE utilizada por el módulo
---N/S	Número de serie del módulo. Necesario para crear o solucionar una cuenta de Alarm.com
---Tarjeta SIM	Número de tarjeta SIM. A veces es necesaria para solucionar una cuenta. No aplicable a radios CDMA
---Versión	Versión de firmware y sub-versión de módulo LTE. Ejemplo: 181a; 181 = versión de firmware del módulo, a = subversión
--- Avanzado - Red	Para uso de Alarm.com solamente
- Configuración de Z-Wave ²	Este menú se utiliza para añadir, eliminar y solucionar problemas de redes y dispositivos Z-Wave. Para controlar dispositivos Z-Wave a través de la página web de Alarm.com y aplicaciones de teléfonos inteligentes, también tendrá que habilitar los servicios de Z-Wave en la cuenta
--Número de dispositivos Z-Wave ²	El número total de dispositivos Z-Wave actualmente conocidos del módulo LTE
---Agregar dispositivo Z-Wave ²	Pulse [*] para ingresar al modo Agregar Z-Wave. Asegúrese de que el dispositivo que se añade esté encendido y dentro de 3 a 6 pies del panel IMPASSA. Consulte las instrucciones del fabricante en cuanto a las pulsaciones de botones necesarios para asociar los dispositivos
---Quitar dispositivo Z-Wave ²	Pulse [*] para eliminar un dispositivo Z-Wave existente, o para "reiniciar" un dispositivo Z-Wave que fue aprendido previamente en una red Z-Wave diferente. Los dispositivos asociados previamente se deben reiniciar antes de que puedan asociarse al módulo
---ID inicial de Z-Wave ²	Pulse [*] para consultar el ID inicial de la red Z-Wave. Si el ID es 0, compruebe que el módulo se ha comunicado con Alarm.com y que la cuenta de Alarm.com esté configurada para Z-Wave.
---Configuración del sensor de imagen ¹	Se requiere una tarjeta secundaria de sensor de imagen para habilitar las funciones de sensor de imagen en el módulo. Este menú sólo está activo si una tarjeta secundaria de sensor de imagen está conectada
---Aprender Sensor de imagen ¹	Pulse [*] para ingresar al modo Agregar. Asocie el sensor de imagen mediante la inserción de baterías o reiniciando

Menú	Descripción
Instalador Programación	Pulse [*] [8] [Código del Instalador] [851] para acceder al menú de Servicios interactivos
---Eliminar sensor de imagen ¹	Pulse [*] y desplácese hasta el sensor de imagen que desea eliminar. Presione [*] para eliminar
--- Ajustes del sensor de imagen ¹	Pulse [*] y desplácese hasta el sensor de imagen de interés. Pulse [*]
----Sensor de imagen #[x] ¹	[X] es la ID del sensor. Pulse [*] para ver la información sobre este sensor de imagen.
---- [Información de la alimentación] ¹	Proporciona información sobre el nivel de la batería del sensor de imagen y el estado de la alimentación
----Señal ¹	Potencia de la señal de comunicación entre el sensor de imagen y la tarjeta secundaria del sensor de imagen
----Probar PIR ¹	Pulse [*] para poner al sensor de imagen en modo de prueba PIR
----Sensibilidad PIR ¹	Pulse [*] para ver la selección actual. Desplácese hacia abajo para ver los niveles de sensibilidad. Pulse [*] para seleccionar
----Reglas ¹	Muestra si las reglas están confirmadas
----MAC ¹	Dirección MAC del sensor de imagen
----Versión ¹	Versión de tarjeta secundaria del sensor de imagen
---- Última conversación ¹	Último tiempo de conversación del sensor de imagen
---Opción de rango extendido	Pulse [*] para habilitar/deshabilitar el rango extendido
---Prueba de comunicaciones	Pulse [*] para llevar a cabo la prueba de comunicación ADC
Funciones de usuario	Pulse [*] [6] [Código de acceso maestro] para entrar en el menú Funciones de usuario. A continuación desplácese a Servicios interactivos
--Estado del módulo LTE	Vea la sección de Programación del Instalador
--Radio	Vea la sección de Programación del Instalador
--Frecuencia de LTE	Vea la sección de Programación del Instalador
--N/S	Vea la sección de Programación del Instalador
--Tarjeta SIM	Vea la sección de Programación del Instalador
--Versión	Vea la sección de Programación del Instalador
-- Avanzado - Red	Vea la sección de Programación del Instalador
- Configuración de Z-Wave ²	Vea la sección de Programación del Instalador
--- Número de dispositivos Z-Wave ²	Vea la sección de Programación del Instalador
---Agregar dispositivo Z-Wave ²	Vea la sección de Programación del Instalador
---Quitar dispositivo Z-Wave ²	Vea la sección de Programación del Instalador
---ID inicial de Z-Wave ²	Vea la sección de Programación del Instalador
-- Configuración del sensor de imagen ¹	Vea la sección de Programación del Instalador
---Sensor de imagen #[x] ¹	Vea la sección de Programación del Instalador
---[Información de la alimentación] ¹	Vea la sección de Programación del Instalador
---Señal ¹	Vea la sección de Programación del Instalador
---Probar PIR ¹	Vea la sección de Programación del Instalador
--Prueba de comunicación	Vea la sección de Programación del Instalador

¹ Todos los menús de Sensor de imagen sólo están disponibles cuando una tarjeta secundaria de sensor de imagen se ha conectado al módulo. Se requiere una tarjeta secundaria de sensor de imagen para habilitar las funciones del sensor de imagen. Se requiere una cuenta interactiva de Alarm.com con un plan de servicio de sensor de imagen para las capacidades y funciones de imagen.

² Consulte las instrucciones y guías sobre instalación de automatización del hogar en la página web del distribuidor de Alarm.com para obtener más información sobre la asociación y solución de problemas de Z-Wave.

Especificaciones

Tabla 1-8 Especificaciones

Compatibilidad	Paneles IMPASSA con versiones de software 1.3 y posteriores
Temperatura de operación	14 a 131°F (-10 a 55° C)
Temperatura de almacenamiento	-30 a 140°F (-10 a 60° C)
Máx. humedad relativa	90% sin condensación
Red celular	LTE 3G/CDMA
Dimensiones	(Alt. x Ancho) 3,25 x 4,25 pulg. (8,23 x 10,80 cm)

Información reglamentaria

Nota: Para aplicaciones UL/ULC, la temperatura de operación es 0 a 49° C y la humedad relativa de operación es 85% RH.

Los cambios o las modificaciones no aprobados expresamente por DSC pueden anular la autoridad del usuario para operar el equipo. Este equipo ha sido probado y se concluye que cumple con los límites para un dispositivo digital Clase B, de conformidad con la Parte 15 de las regulaciones de la FCC. Estos límites están diseñados para ofrecer protección razonable contra interferencia dañina en una instalación residencial. Este equipo genera, utiliza y puede irradiar energía de radiofrecuencia y, si no se instala y utiliza de acuerdo con las instrucciones, puede causar interferencias perjudiciales en las comunicaciones de radio. No obstante, no hay garantía de que no ocurra interferencia en una instalación en particular. Si este equipo provoca interferencia dañina para la recepción de radio o televisión, lo que se puede determinar al encender y apagar el equipo, se exhorta al usuario a tratar de corregir la interferencia mediante una o más de las siguientes medidas:

- Reoriente o reubique la antena receptora.
- Aumente la separación entre el equipo y el receptor.
- Conecte el equipo a una toma de corriente en un circuito diferente al que el receptor está conectado.
- Consulte al distribuidor o técnico de radio/televisión experimentado si requiere ayuda.

Este equipo cumple con los límites de exposición a la radiación de RF de la FCC e IC establecidos para un ambiente sin control. Este equipo cumple con los límites de exposición a la radiación de RF de la FCC e IC establecidos para un ambiente sin control.

Conforme a los reglamentos de Industry Canada, este radiotransmisor opera exclusivamente usando una antena de un tipo y máximo (o menos) ganancia aprobado para el transmisor por Industry Canada. A fin de reducir la interferencia de radio con otros dispositivos, el tipo de antena y su ganancia deberán ser seleccionados de tal manera que la potencia isotrópica radiada equivalente (p.i.r.e.) no sea mayor a la necesaria para una comunicación exitosa.

Conformément à la réglementation d'Industrie Canada, le présent émetteur radio peut fonctionner avec une antenne d'un type et d'un gain maximal (ou inférieur) approuvé pour l'émetteur par Industrie Canada. Dans le but de réduire les risques de brouillage radioélectrique à l'intention des autres utilisateurs, il faut choisir le type d'antenne et son gain de sorte que la puissance isotrope rayonnée équivalente (p.i.r.e.) ne dépasse pas l'intensité nécessaire à l'établissement d'une communication satisfaisante.

This device complies with Industry Canada licence-exempt RSS standard(s). Operation is subject to the following two conditions: (1) this device may not cause interference, and (2) this device must accept any interference, including interference that may cause undesired operation of the device. Le présent appareil est conforme aux CNR d'Industrie Canada applicables aux appareils radio exempts de licence. L'exploitation est autorisée aux deux conditions suivantes : (1) l'appareil ne doit pas produire de brouillage, et (2) l'utilisateur de

l'appareil doit accepter tout brouillage radioélectrique subimême si le brouillage est susceptible d'en compromettre le fonctionnement.

Garantía Limitada

Digital Security Controls garantiza al comprador original que por un periodo de doce meses desde la fecha de compra, el producto está libre de defectos en materiales y hechura en uso normal. Durante el periodo de la garantía, Digital Security Controls, decide si o no, reparará o reemplazará cualquier producto defectuoso devolviendo el producto a su fábrica, sin costo por labor y materiales. Cualquier repuesto o pieza reparada está garantizada por: el resto de la garantía original o noventa (90) días, cualquiera de las dos opciones de mayor tiempo. El propietario original debe notificar puntualmente a Digital Security Controls Ltd. por escrito que hay un defecto en material o hechura, tal aviso escrito debe ser recibido en todo evento antes de la expiración del periodo de la garantía. No hay absolutamente ningún tipo de garantía sobre software y todos los productos de software son vendidos como una licencia de usuario bajo los términos del contrato de licencia del software incluido con el producto. El comprador asume toda responsabilidad por la apropiada selección, instalación, operación y mantenimiento de cualquier producto comprado a DSC. La garantía de los productos hechos a medida alcanzan solamente a aquellos productos que no funcionen al momento de la entrega. En tales casos, DSC puede reemplazarlos o acreditarlos, a opción de DSC.

Garantía Internacional

La garantía para los clientes internacionales es la misma que para cualquier cliente de Canadá y los Estados Unidos, con la excepción que Digital Security Controls Ltd. no será responsable por cualquier costo aduanero, impuestos o VAT que puedan ser aplicados.

Procedimiento de la Garantía

Para obtener el servicio con esta garantía, por favor devuelva el (los) artículo(s) en cuestión, al punto de compra. Todos los distribuidores autorizados tienen un programa de garantía. Cualquiera que devuelva los artículos a Digital Security Controls Ltd., debe primero obtener un número de autorización. Digital Security Controls, no aceptará ningún cargamento sin un número de autorización primero.

Condiciones para Cancelar la Garantía

Esta garantía se aplica solamente a defectos en partes y en hechura concerniente al uso normal. Esta no cubre:

- daños incurridos en el manejo de envío o cargamento;
- daños causados por desastres tales como incendio, inundación, vientos, terremotos o rayos eléctricos;
- daños debido a causas más allá del control de Digital Security Controls Ltd., tales como excesivo voltaje, choque mecánico o daño por agua;
- daños causados por acoplamientos no autorizados, alteraciones, modificaciones u objetos extraños;
- daños causados por periféricos (al menos que los periféricos fueron suministrados por Digital Security Controls Ltd.);
- defectos causados por falla en el suministro un ambiente apropiado para la instalación de los productos;
- daños causados por el uso de productos, para propósitos diferentes, para los cuales fueron designados;
- daño por mantenimiento no apropiado;
- daño ocasionado por otros abusos, mal manejo o una aplicación no apropiada de los productos.

Items no cubiertos por la Garantía

Además de los ítems que cancelan la Garantía, los siguientes ítems no serán cubiertos por la Garantía: (i) costo de flete hasta el centro de reparación; (ii) los productos que no sean identificados con la etiqueta de producto de DSC y su número de lote o número de serie; (iii) los productos que hayan sido desensamblados o reparados de manera tal que afecten adversamente el funcionamiento o no permitan la adecuada inspección o pruebas para verificar cualquier reclamo de garantía. Las tarjetas o etiquetas de acceso devuelvas para su reemplazo bajo la garantía, serán acreditadas o reemplazadas a opción de DSC. Los productos no cubiertos por la presente garantía, o de otra manera fuera de la garantía debido al transcurso del tiempo, mal uso o daño, serán evaluados y se proveerá una estimación para la reparación. No se realizará ningún trabajo de reparación hasta que una orden de compra válida enviada por el Cliente sea recibida y un número de Autorización de Mercadería Devuelta (RMA) sea emitido por el Servicio al Cliente de DSC. Los productos no cubiertos por la presente garantía, o de otra manera fuera de la garantía debido al transcurso del tiempo, mal uso o daño, serán evaluados y se proveerá una estimación para la reparación. No se realizará ningún trabajo de reparación hasta que una orden de compra válida enviada por el Cliente sea recibida y un número de Autorización de Mercadería Devuelta (RMA) sea emitido por el Servicio al Cliente de DSC.

La responsabilidad de Digital Security Controls Ltd., en la falla para reparar el producto bajo esta garantía después de un número razonable de intentos será limitada a un reemplazo del producto, como el remedio exclusivo para el rompimiento de la garantía. Bajo ninguna circunstancia Digital Security Controls, debe ser responsable por cualquier daño especial, incidental o consiguiente basado en el rompimiento de la garantía, rompimiento de contrato, negligencia, responsabilidad estricta o cualquier otra teoría legal. Tales daños deben incluir, pero no ser limitados a, pérdida de ganancias, pérdida de productos o cualquier equipo asociado, costo de capital, costo de sustitutos o reemplazo de equipo, facilidades o servicios, tiempo de inactividad, tiempo del comprador, los reclamos de terceras partes, incluyendo clientes, y perjuicio a la propiedad. Las leyes de algunas jurisdicciones limitan o no permiten la renuncia de daños consecuentes. Si las leyes de dicha jurisdicción son aplicables sobre cualquier reclamo por o en contra de DSC, las limitaciones y renunciaciones aquí contenidas serán las de mayor alcance permitidas por la ley. Algunos estados no permiten la exclusión o limitación de daños incidentales o consecuentes, en tal caso lo arriba mencionado puede no ser aplicable a Ud.

Renuncia de Garantías

Esta garantía contiene la garantía total y deberá sustituir a cualquiera y toda garantía, explícita o implícita, (incluyendo todas las garantías implícitas de comerciabilidad o adaptabilidad para un propósito en particular) y de otras obligaciones o responsabilidades por parte de Digital Security Controls. Digital Security Controls tampoco asume la responsabilidad ni autoriza a cualquier otra persona que pretenda actuar en su representación para modificar o cambiar esta garantía, ni que asuma en su nombre alguna otra garantía o responsabilidad concerniente a este producto.

Esta renuncia de garantía y garantía limitada son regidas por el gobierno y las leyes de la provincia de Ontario, Canadá.

Digital Security Controls recomienda que todo el sistema sea completamente probado en forma regular. Sin embargo, a pesar de las pruebas frecuentes, y debido a ellas, pero no limitado a las mismas, intento criminal de forzarlo o interrupción eléctrica, es posible que este PRODUCTO DE SOFTWARE falle con relación al desempeño esperado.

Cierre del Instalador

Cualquier producto regresado a DSC con la opción de Cierre del Instalador habilitada y ninguna otra falla aparente estará sujeto a cargos por servicio.

Reparaciones Fuera de la Garantía

Digital Security Controls Ltd., en su opción reemplazará o reparará los productos por fuera de la garantía que sean devueltos a su fábrica de acuerdo a las siguientes condiciones. Cualquiera que esté regresando los productos a Digital Security Controls Ltd., debe primero obtener un número de autorización. Digital Security Controls Ltd., no aceptará ningún cargamento sin un número de autorización primero. Digital Security Controls no aceptará ningún cargamento sin un número de autorización primero.

Los productos que Digital Security Controls Ltd., determine que son reparables serán reparados y regresados. Un cargo fijo que Digital Security Controls Ltd., ha predeterminado y el cual será revisado de tiempo en tiempo, se exige por cada unidad reparada.

Los productos que Digital Security Controls, determine que no son reparables serán reemplazados por el producto más equivalente disponible en ese momento. El precio actual en el mercado del producto de reemplazo se cobrará por cada unidad que se reemplace.

Acuerdo de licencia de usuario final

IMPORTANTE – LEA ATENTAMENTE: el Software DSC comprado con o sin Productos y Componentes tiene marca registrada y es adquirido bajo los siguientes términos de licencia:

Este Acuerdo de Licencia de Usuario Final (End-User License Agreement — “EULA”) es un acuerdo legal entre Usted (la compañía, individuo o entidad que ha adquirido el Software y cualquier Hardware relacionado) y Digital Security Controls, una división de Tyco Safety Products Canada Ltd. (“DSC”), el fabricante de los sistemas de seguridad integrados y programador del software y de todos los productos o componentes relacionados (“HARDWARE”) que usted ha adquirido.

Si el producto de software DSC (“PRODUCTO DE SOFTWARE” o “SOFTWARE”) necesita estar acompañado de HARDWARE y NO está acompañado de nuevo HARDWARE, usted no puede usar, copiar o instalar el PRODUCTO DE SOFTWARE. El PRODUCTO DE SOFTWARE incluye software y puede incluir medios asociados, materiales impresos y documentación “en línea” o electrónica.

Cualquier software provisto con el PRODUCTO DE SOFTWARE que esté asociado a un acuerdo de licencia de usuario final separado es licenciado a Usted bajo los términos de ese acuerdo de licencia.

Al instalar, copiar, realizar la descarga, almacenar, acceder o, de otro modo, usar el PRODUCTO DE SOFTWARE, Usted se somete incondicionalmente a los límites de los términos de este EULA, incluso si este EULA es una modificación de cualquier acuerdo o contrato previo. Si no está de acuerdo con los términos de este EULA, DSC no podrá licenciarle el PRODUCTO DE SOFTWARE y Usted no tendrá el derecho de usarlo.

LICENCIA DE PRODUCTO DE SOFTWARE

El PRODUCTO DE SOFTWARE está protegido por leyes de derecho de autor y acuerdos de derecho de autor, así como otros tratados y leyes de propiedad intelectual. El PRODUCTO DE SOFTWARE es licenciado, no vendido.

CONCESIÓN DE LICENCIA Este EULA le concede los siguientes derechos:

Instalación y uso del software – Para cada licencia que Usted adquiere, Usted puede instalar tan sólo una copia del PRODUCTO DE SOFTWARE.

(b) Almacenamiento/Usado en red – El PRODUCTO DE SOFTWARE no puede ser instalado, accedido, mostrado, ejecutado, compartido o usado al mismo tiempo desde diferentes ordenadores, incluyendo una estación de trabajo, terminal u otro dispositivo electrónico (“Dispositivo”). En otras palabras, si Usted tiene varias estaciones de trabajo, Usted tendrá que adquirir una licencia para cada estación de trabajo donde usará el SOFTWARE.

Copia de seguridad – Usted puede tener copias de seguridad del PRODUCTO DE SOFTWARE, pero sólo puede tener una copia por licencia instalada en un momento determinado. Usted puede usar la copia de seguridad solamente para propósitos de archivo. Excepto del modo en que está expresamente previsto en este EULA, Usted no puede hacer copias del PRODUCTO DE SOFTWARE de otro modo, incluyendo los materiales impresos que acompañan al SOFTWARE.

DESCRIPCIÓN DE OTROS DERECHOS Y LIMITACIONES

(a) Limitaciones en Ingeniería Reversa, Descompilación y Desmontado – Usted no puede realizar ingeniería reversa, descompilar o desmontar el PRODUCTO DE SOFTWARE, excepto y solamente en la medida en que dicha actividad esté expresamente permitida por la ley aplicable, no obstante esta limitación. Usted no puede realizar cambios ni modificaciones al Software, sin el permiso escrito de un oficial de DSC. Usted no puede eliminar avisos de propiedad, marcas o etiquetas del Producto de Software. Usted debería instituir medidas razonables que aseguren el cumplimiento de los términos y condiciones de este EULA.

Separación de los Componentes – El PRODUCTO DE SOFTWARE se licencia como un producto único. Sus partes componentes no pueden ser separadas para el uso en más de una unidad de HARDWARE.

(c) Producto ÚNICO INTEGRADO – Si usted adquirió este SOFTWARE con HARDWARE, entonces el PRODUCTO DE SOFTWARE está licenciado con el HARDWARE como un producto único integrado. En este caso, el PRODUCTO DE SOFTWARE puede ser usado solamente con el HARDWARE, tal y como se establece más adelante en este EULA.

Alquiler – Usted no puede alquilar, prestar o arrendar el PRODUCTO DE SOFTWARE. No puede disponibilizarlo a terceros ni colgarlo en un servidor o una página web.

(e) Transferencia de Producto de Software – Usted puede transferir todos sus derechos bajo este EULA sólo como parte de una venta permanente o transferencia del HARDWARE, desde que Usted no retenga copias y transfiera todo el PRODUCTO DE SOFTWARE (incluyendo todas las partes componentes, los materiales impresos y

mediáticos y cualquier actualización y este EULA) y desde que el receptor esté conforme con los términos de este EULA. Si el PRODUCTO DE SOFTWARE es una actualización, cualquier transferencia debe incluir también todas las versiones previas del PRODUCTO DE SOFTWARE.

Termination - Without prejudice to any other rights, DSC may terminate this EULA if You fail to comply with the terms and conditions of this EULA. In such event, You must destroy all copies of the SOFTWARE PRODUCT and all of its component parts.

Marcas registradas – Este EULA no le concede ningún derecho conectado con ninguna de las marcas registradas de DSC o de sus proveedores.

3. DERECHOS DE AUTOR – Todos los derechos de título y propiedad intelectual en este y relativos a este PRODUCTO DE SOFTWARE (incluyendo, pero no limitándose a todas las imágenes, fotografías y textos incorporados al PRODUCTO DE SOFTWARE), los materiales impresos que acompañan, y todas las copias del PRODUCTO DE SOFTWARE, son propiedad de DSC o de sus proveedores. Usted no puede copiar los materiales impresos que acompañan al PRODUCTO DE SOFTWARE. Todos los títulos y derechos de propiedad intelectual en y relativos al contenido que pueden ser accedidos a través del uso del PRODUCTO DE SOFTWARE son de propiedad de su respectivo propietario de contenido y pueden estar protegidos por derechos de autor u otros tratados y leyes de propiedad intelectual. Este EULA no le concede ningún derecho de usar tal contenido. Todos los derechos no expresamente concedidos por este EULA están reservados a DSC y sus proveedores.

RESTRICCIONES DE EXPORTACIÓN – Usted se compromete a no exportar o reexportar el PRODUCTO DE SOFTWARE a ningún país, persona o entidad sujeta a las restricciones de exportación de Canadá.

ELECCIÓN DE LEY – Este Acuerdo de Licencia de Software se rige por las leyes de la Provincia de Ontario, Canadá.

6. ARBITRAJE – Todas las disputas que surjan con relación a este Acuerdo estarán determinadas por medio del arbitraje final y vinculante, de acuerdo con el Arbitration Act, y las partes acuerdan someterse a la decisión del árbitro. El lugar de arbitraje será Toronto, Canadá, y el idioma de arbitraje será el inglés.

GARANTÍA LIMITADA

(a) SIN GARANTÍA – DSC PROVEE EL SOFTWARE “TAL COMO ES”, SIN GARANTÍA. DSC NO GARANTIZA QUE EL SOFTWARE SATISFARÁ SUS NECESIDADES O QUE TAL OPERACIÓN DEL SOFTWARE SERÁ ININTERRUMPA O LIBRE DE ERRORES.

CAMBIOS EN EL ENTORNO OPERATIVO – DSC no se responsabilizará de problemas causados por cambios en las características operativas del HARDWARE, o de problemas en la interacción del PRODUCTO DE SOFTWARE con SOFTWARE que no sea de DSC o con PRODUCTOS DE HARDWARE.

(c) LIMITACIÓN DE RESPONSABILIDAD, CUOTA DE RIESGO DE LA GARANTÍA – EN CUALQUIER CASO, SI ALGUNA LEY IMPLICA GARANTÍAS O CONDICIONES NO ESTABLECIDAS EN ESTE ACUERDO DE LICENCIA, TODA LA RESPONSABILIDAD DE DSC BAJO CUALQUIER DISPOSICIÓN DE ESTE ACUERDO DE LICENCIA SE LIMITARÁ A LA MAYOR CANTIDAD YA PAGADA POR USTED PARA LICENCIAR EL PRODUCTO DE SOFTWARE Y CINCO DÓLARES CANADIENSES (CAD\$5,00). DEBIDO A

QUE ALGUNAS JURISDICCIONES NO ACEPTAN LA EXCLUSIÓN O LIMITACIÓN DE LA RESPONSABILIDAD PARA DAÑOS CONSECUENTES O INCIDENTALES, LAS LIMITACIONES CITADAS PUEDEN NO APLICARSE A USTED.

EXENCIÓN DE LAS GARANTÍAS – esta garantía contiene la garantía completa y es válida, en lugar de cualquier otra garantía, ya expresa o implícita (incluyendo todas las garantías implícitas de mercantilidad o aptitud para un propósito determinado) y de todas las obligaciones o responsabilidades por parte de DSC. DSC NO CONCEDE OTRAS GARANTÍAS. DSC TAMPOCO ASUME NI AUTORIZA A NINGUNA OTRA PERSONA QUE PRETENDA ACTUAR EN SU NOMBRE PARA MODIFICAR O CAMBIAR ESTA GARANTÍA NI PARA ASUMIR PARA ELLA NINGUNA OTRA GARANTÍA O RESPONSABILIDAD RELATIVA A ESTE PRODUCTO DE SOFTWARE.

(e) REPARACIÓN EXCLUSIVA Y LIMITACIÓN DE GARANTÍA – BAJO NINGUNA CIRCUNSTANCIA DSC SERÁ RESPONSABLE DE CUALQUIER DAÑO ESPECIAL, IMPREVISTO O CONSECUENTE O DAÑOS INDIRECTOS BASADOS EN INFRACCIÓN DE LA GARANTÍA, INFRACCIÓN DEL CONTRATO, NEGLIGENCIA, RESPONSABILIDAD ESTRICTA O CUALQUIER OTRA TEORÍA LEGAL. TALES DAÑOS INCLUYEN, PERO NO SE LIMITAN, A PÉRDIDAS DE BENEFICIOS, PÉRDIDA DEL PRODUCTO DE SOFTWARE O CUALQUIER EQUIPO ASOCIADO, COSTE DE CAPITAL, COSTE DE SUSTITUCIÓN O REEMPLAZO DE EQUIPO, INSTALACIONES O SERVICIOS, DOWN TIME, TIEMPO DEL COMPRADOR, REIVINDICACIONES DE TERCEROS, INCLUYENDO CLIENTES, Y DAÑOS A LA PROPIEDAD.

DSC recomienda que se pruebe todo el sistema completamente de modo regular. Sin embargo, a pesar de las pruebas frecuentes, y debido a ellas, pero no limitado a las mismas, intento criminal de forzarlo o interrupción eléctrica, es posible que este Producto de Software falle con relación al desempeño esperado.

© 2019 Tyco Security Products
Todos los derechos reservados.
Soporte técnico: 1-800-387-3630 (Canadá y Estados Unidos)

Las marcas registradas, logotipos y las marcas de servicio mostradas en este documento están registradas en los Estados Unidos [u otros países]. Las marcas registradas, logotipos y las marcas de servicio mostradas en este documento están registradas en los Estados Unidos [u otros países]. Cualquier uso indebido de las marcas registradas está estrictamente prohibido y Tyco hará cumplir rigurosamente sus derechos de propiedad intelectual hasta el máximo grado permitido por la ley, incluyendo el inicio de acciones penales dondequiera que sean necesarias. Todas las marcas registradas no pertenecientes a Tyco son propiedad de sus respectivos propietarios, y se utilizan con permiso o según lo permitido por la legislación vigente.

Los productos ofrecidos y sus especificaciones están sujetos a modificaciones sin previo aviso. Los productos reales pueden diferir de las fotos. No todos los productos incluyen todas las funciones. La disponibilidad varía según la región; contacte con su representante de ventas.

DSC

From Tyco Security Products



29009363R004