

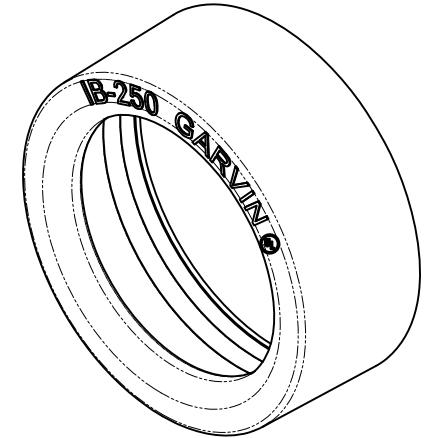
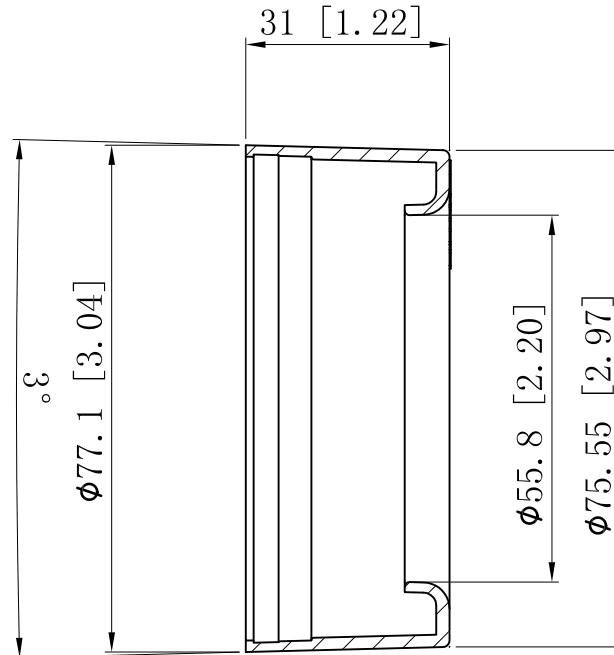
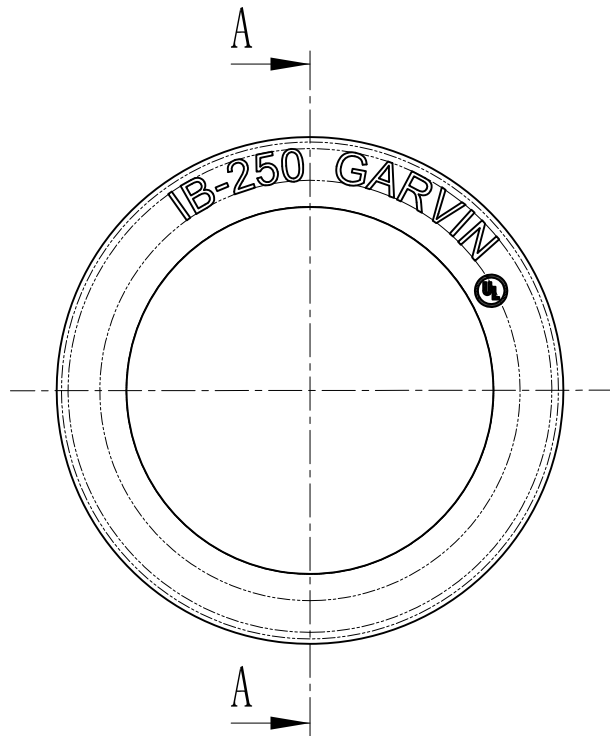
SIDES

BOTTOM

UL File #

E364151

Material:Plastic-PP



CUTAWAY VIEW A-A

This data sheet is for reference only .GARVIN INDUSTRIES reserves the right to make changes to the design without prior notice.

DESCRIPTION
TRADE REFERENCE TERMS

STANDARD PACKING
10 PCS

TITLE			REV
GARVIN INDUSTRIES			
TITLE			REV
EMT INSULATING BUSHING			
SIZE	DWG NO.	REV	
A4	IB-250	A	
DATA SHEET			
www.garvinindustries.com			