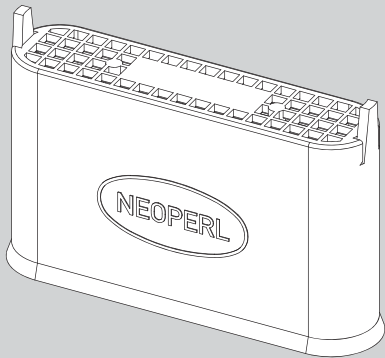


INSTRUCTIONS FOR MODELS


RPG05-106849
RECTANGULAR AERATOR




NEED HELP?

For additional assistance or service please contact:

SPEAKMAN® Company
400 Anchor Mill Road
New Castle, DE 19720

 800-537-2107

 customerservice@speakman.com

 www.speakman.com

92-RPG05-106849-01

TOOLS AND SUPPLIES

Aerator
Wrench
(included)



Hex Key
Wrench
(included)



Safety
Glasses



IMPORTANT



- Do not over-tighten any connections or damage may occur.
- Be sure to read instructions thoroughly before beginning installation.
- This faucet has an operating range of 20-80 psi.

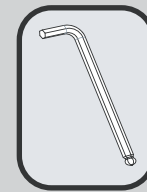
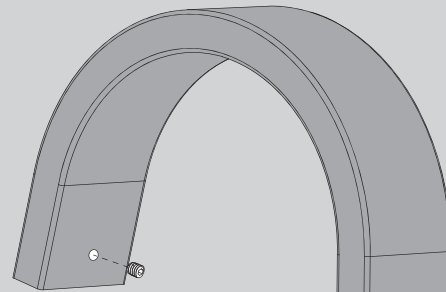
SAFETY TIPS



Cover your drain to prevent loss of parts. Be sure to wear eye protection while cutting pipe.

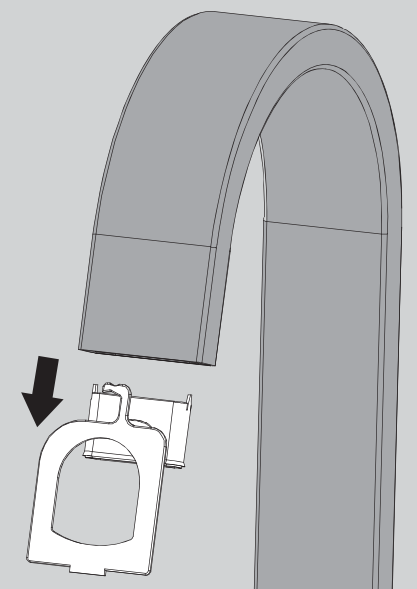
1

Remove Set Screw (1) located on inside surface of spout outlet.



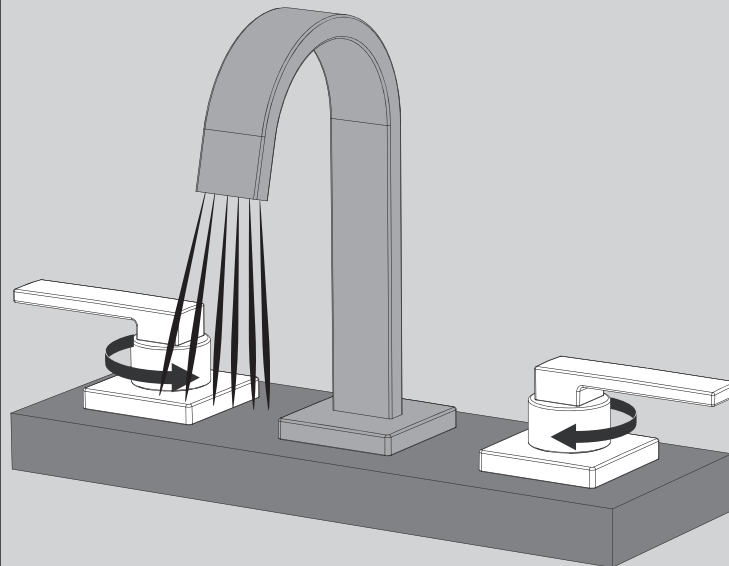
2

Using supplied Aerator Wrench, insert tip to latch onto Aerator and pull outward to remove Aerator from spout outlet.



3

Turn on water supplies and flush both COLD and HOT cartridges for one minute, while checking for leaks. Return Handles to closed position when complete.



4

Align threaded hole of Aerator towards the rear as shown above. Install Aerator and secure into position using the included Hex Wrench.

