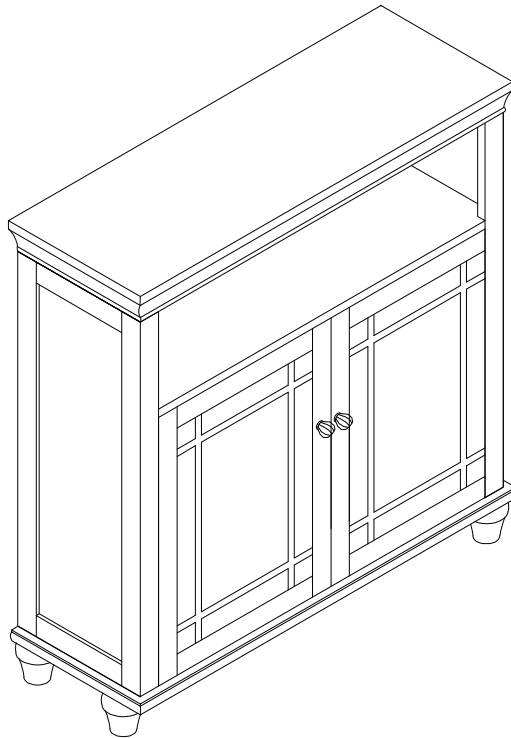


# ASSEMBLY INSTRUCTIONS

## Double Door Floor Cabinet



Please provide the following information when contacting for parts or questions: the name of the company you purchased from, the UPS/FedEx tracking number.

This product comes with a 1 year warranty. Products purchased second hand/used are not covered under the warranty.

### ASSEMBLY INSTRUCTIONS-IMPORTANT

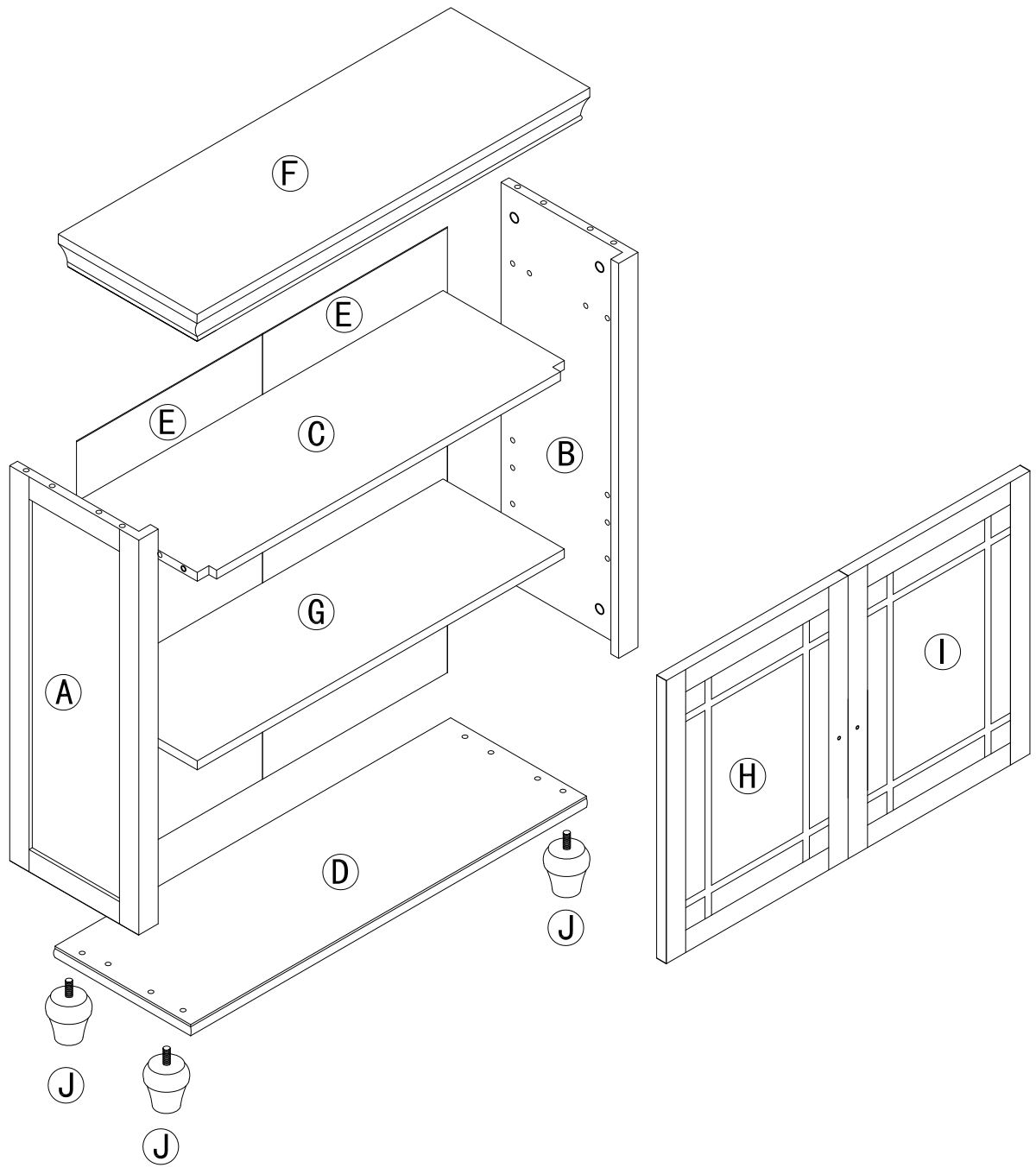
Carefully unpack & identify each component before attempting to assemble. Refer to parts list. Please take care when assembling the unit and always set the parts on a clean, soft surface. If you require any assistance with assembly, parts, please call the company you place order with or please email to:[service@eleganthf.net](mailto:service@eleganthf.net)

### INSTRUCCIONES PARA ARMAR-IMPORANT:

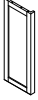
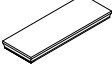
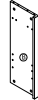
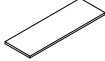

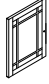

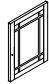


Desempaque cuidadosamente e identifique cada componente antes de tartar de empezar su ensambladura. Verifique la lista de partes. Por favor tenga cuidado cuando arme la unidad y siempre coloque las piezas sobre una superficie plana, suave y limpia. Si necesita ayuda con el armado, envíe un correo electzórico a [service@eleganthf.net](mailto:service@eleganthf.net)

### DIRECTIVES DE MONTAGE-IMPORTANT:

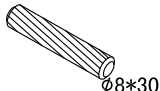

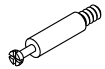





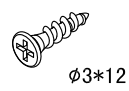
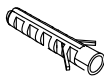

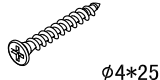

Avant de commencer l' assemblage, déballez délicatement toutes les pièces et repérez-les sur la liste des pièces. Procédez avec soins durant l' assemblage et posez toujours les pièces sur une surface proper, douce et lisse. sie vouo plait e-mail á [service@eleganthf.net](mailto:service@eleganthf.net)



# COMPONENTS

PART	FIGURE	DESCRIPTION	QTY	PART	FIGURE	DESCRIPTION	QTY
A		LEFT SIDE PANEL	1PC	F		TOP PANEL	1PC
B		RIGHT SIDE PANEL	1PC	G		ADJUSTABLE SHELF	1PC
C		FIX SHELF	1PC	H		LEFT D00R	1PC
D		BOTTOM SHELF	1PC	I		RIGHT D00R	1PC
E		BACK PANEL	2PCS	J		LEG	4PCS

# HARDWARE & TOOLS

PART	FIGURE	DESCRIPTION	QTY	PART	FIGURE	DESCRIPTION	QTY
1		WOODEN DOWEL	12PCS	8		SHELF PIN	4PCS
2		CAM BOLT	12PCS	9		PLASTIC BAR	1PC
3		CAM LOCK	12PCS	10		SCREW	16PCS
4		WASHER	2PCS	12		FIX BELT	1PC
5		SCREW	8PCS	13		ANCHOR	1PC
6		KNOB	2PCS	14		SCREW	2PCS
7		BOLT	2PCS				

## TOOL NEEDED:



**PHILIPS SCREWDRIVER REQUIRED  
- NOT INCLUDED**

## SUGGESTION:



**TWO PEOPLE FOR ASSEMBLING**



## WARNINGS:

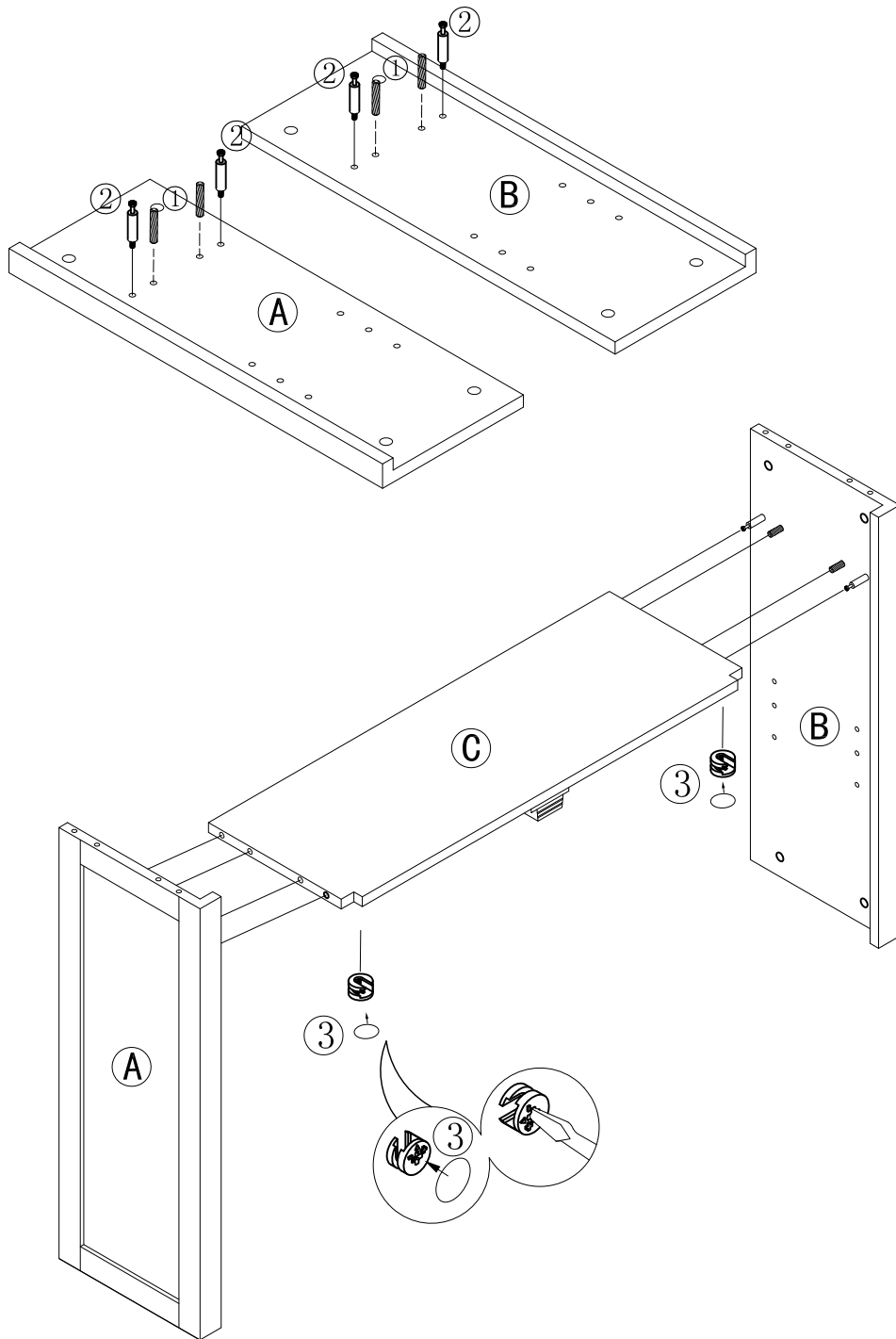
1. DO NOT LET ANY SHARP OBJECTS TOUCH OR RUB THE SURFACE OF THE PRODUCT.
2. WHEN ASSEMBLING, DO NOT LET CHILDREN PLAY AROUND THE WORKING AREA.
3. PLEASE CONFIRM ALL PARTS ARE CORRECT BEFORE STARTING THE ASSEMBLY PROCESS.
4. DO NOT TIGHTEN ALL BOLTS AND SCREWS COMPLETELY UNTIL THE ENTIRE UNIT HAS BEEN ASSEMBLED AND SET UP.

# 1

1  
4 PCS

2  
4 PCS

3  
4 PCS  $\phi 15 \times 9$



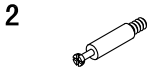
## STEP 1:

1. Screw cambolts (2) and insert dowels (1) in panels A & B.
2. Attach panel C to panels A & B and secure with camlocks (3).

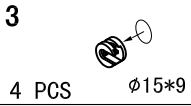
# 2



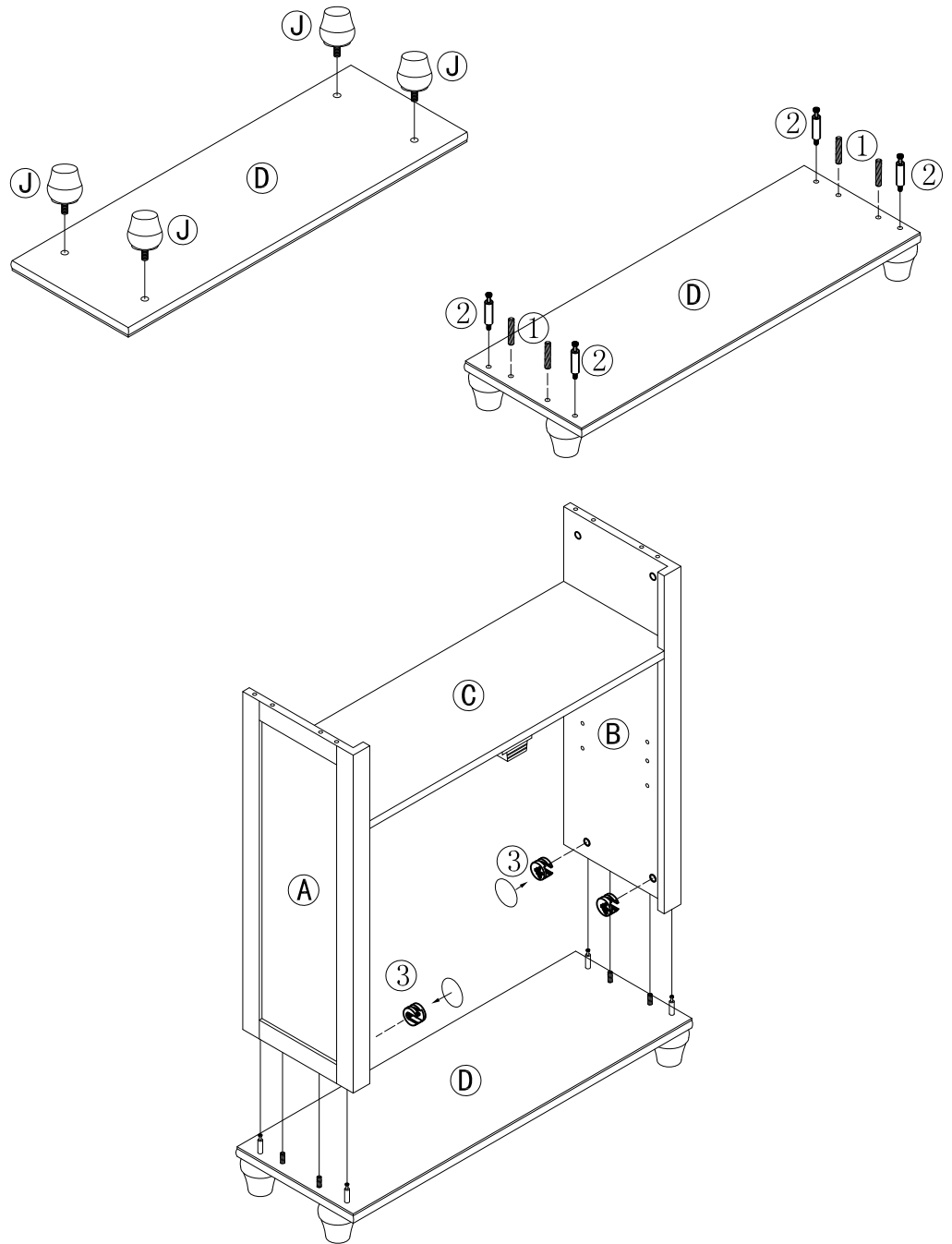
4 PCS



4 PCS



4 PCS



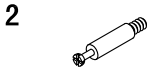
## STEP 2:

1. Screw leg J to panel D.
2. Screw cambolts (2) and insert dowels (1) in panel D.
3. Attach panel D to panels A & B and secure with camlocks (3).

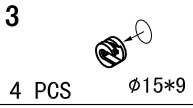
# 3



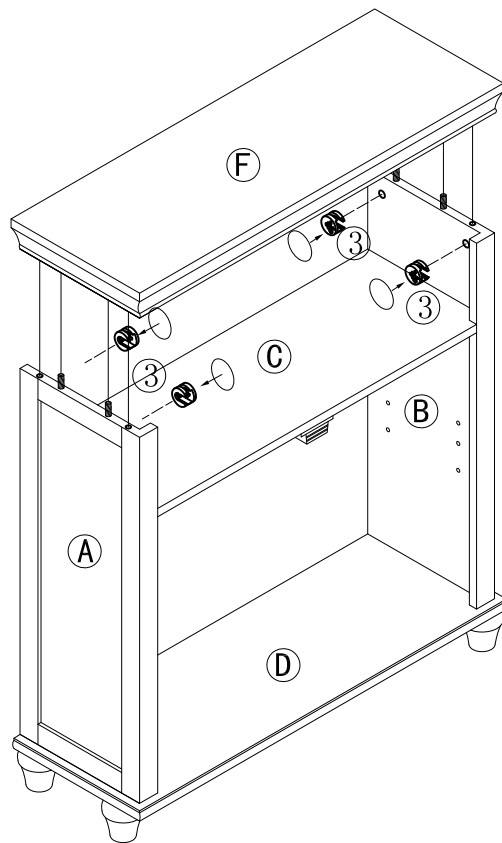
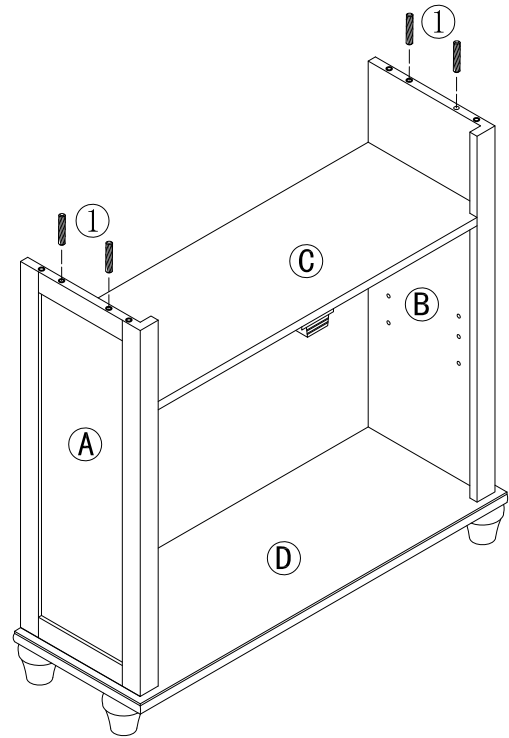
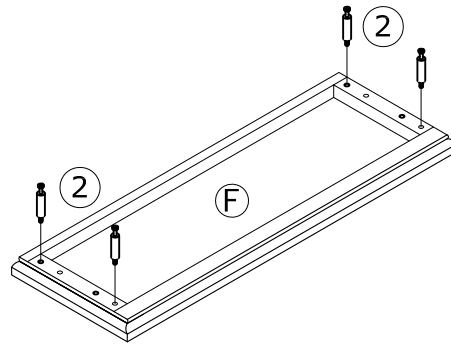
4 PCS



4 PCS



4 PCS



## STEP 3:

1. Screw cambolts (2) in panel F.
2. Insert dowels (1) in the tops of panel A&B.
3. Attach panel F to panel A&B and secure with camlock(3).

# 4

10

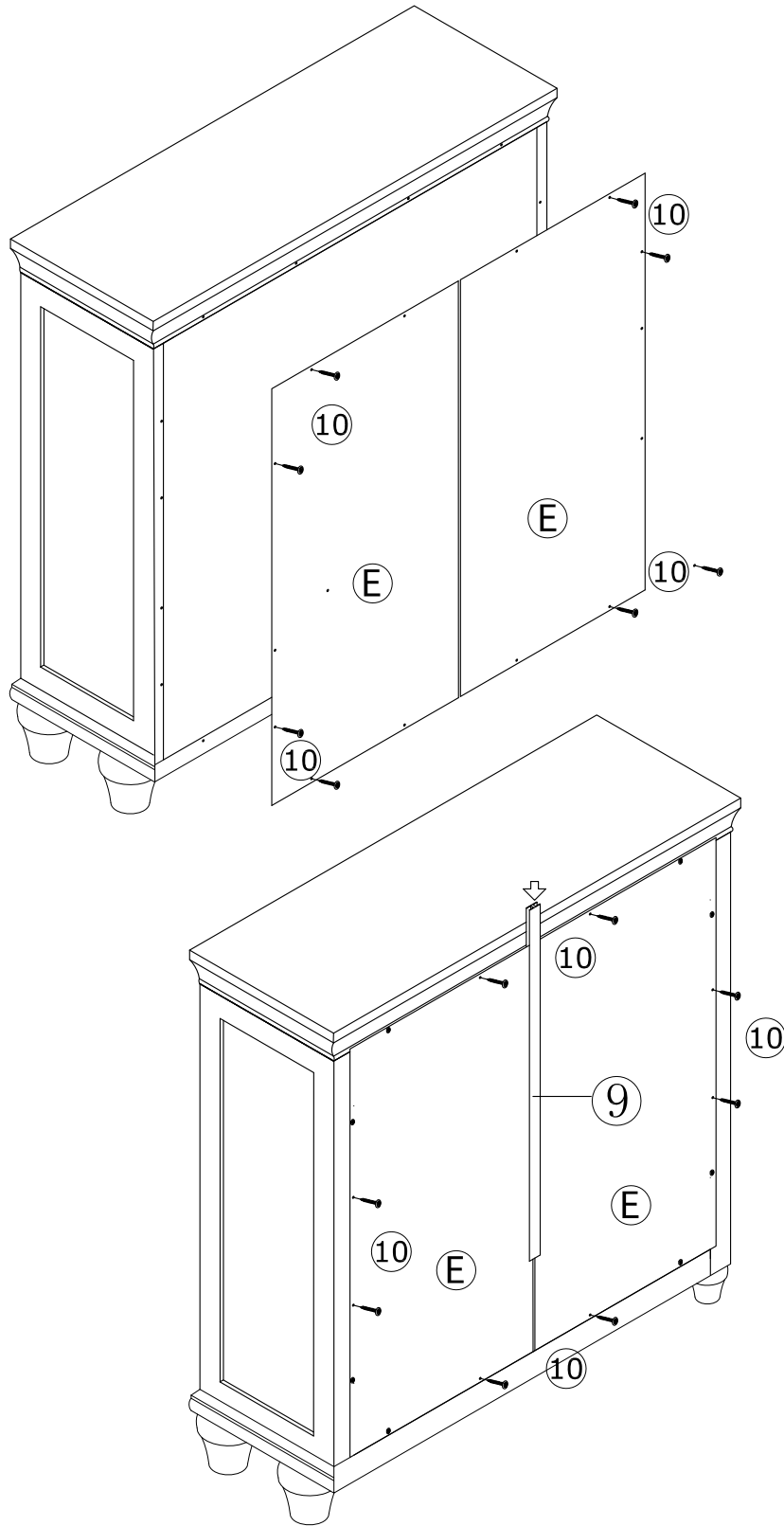


16 PCS  $\phi 3 \times 12$  D=7

9



1 PC



### STEP 4:

1. Attach panels E to the back of the cabinet and secure with screws (10) as shown.
2. Insert plastic bar (9) as shown and finish securing panels E with screws (10).



# 5

5



8 PCS  $\varnothing 3 \times 12$

6



2 PCS

7

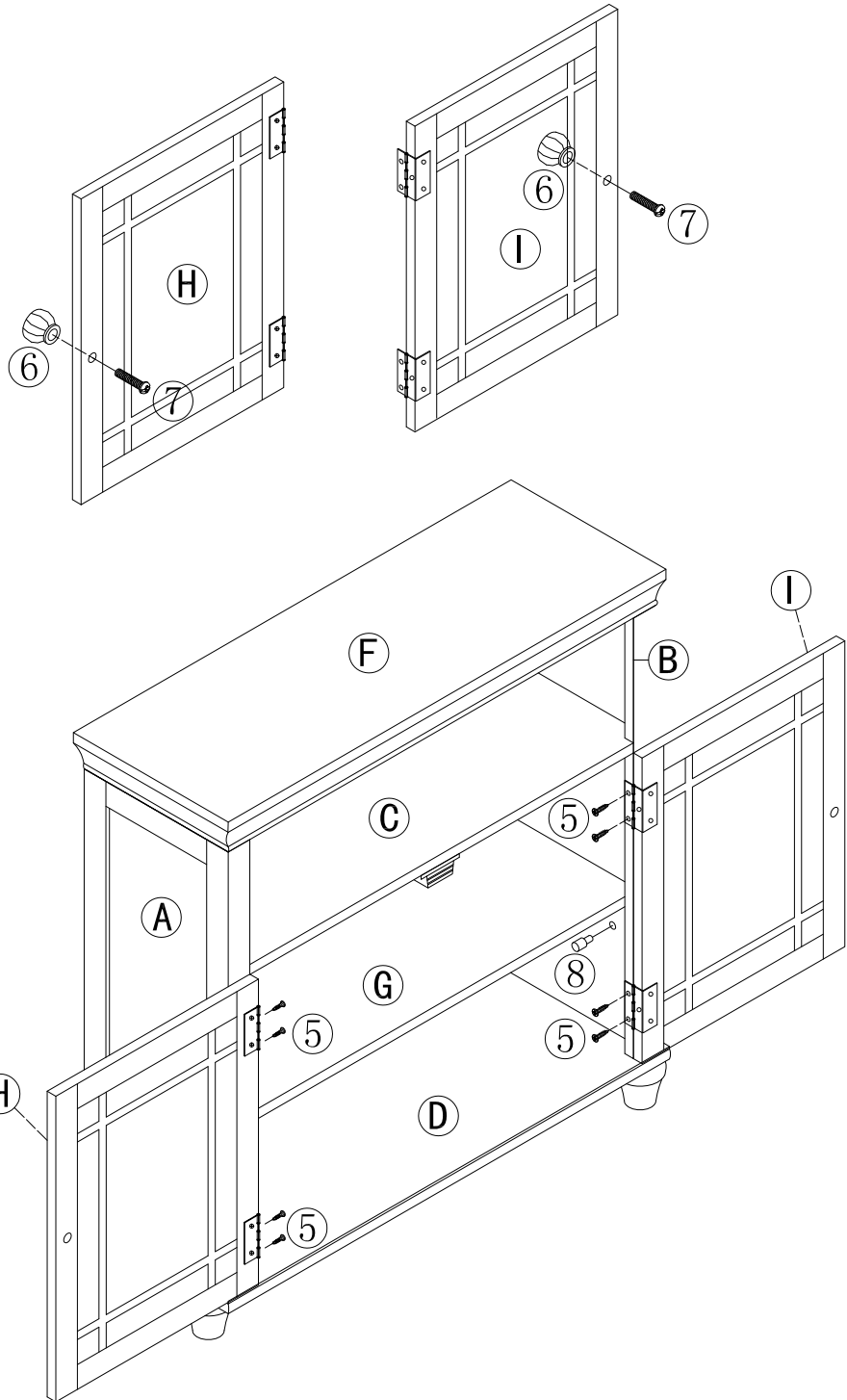


2 PCS

8



4 PCS



## STEP 5:

1. Attach knobs (6) to doors H & I with bolts (7).
2. Attach doors H & I to the cabinet with screws (5).
3. Insert shelf pins (8) into panels A & B.
4. Rest adjustable shelf G on the shelf pins.

# 6

4



2 PCS

12



1 PC

13



1 PC

14



2 PCS

Ø4\*25

