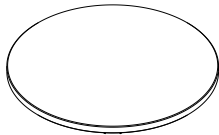


Your new Leick Home table will give you years of trouble-free performance. Thank you for choosing our product for your home. **Please read carefully and save these instructions, as you may need them at a later date.**

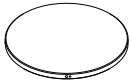
What's in the box



A Top Assembly



B Leg x4



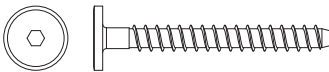
C Shelf



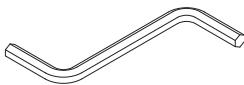
D Wooden Dowel x4



E Screw x4



F Bolts x4



G Allen Wrench

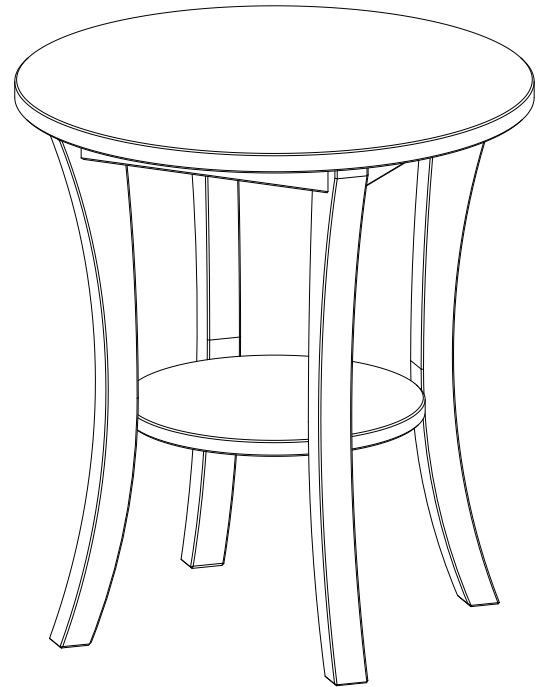
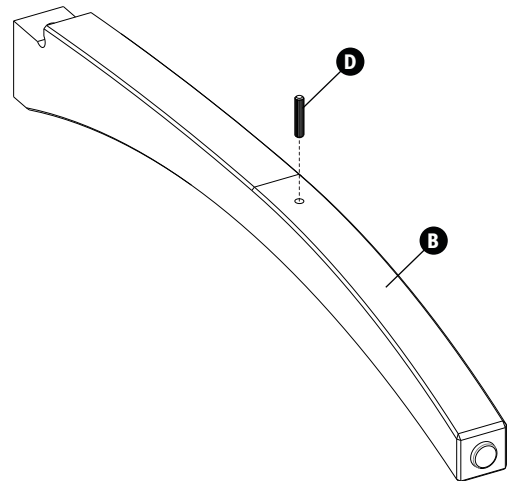


Figure 1

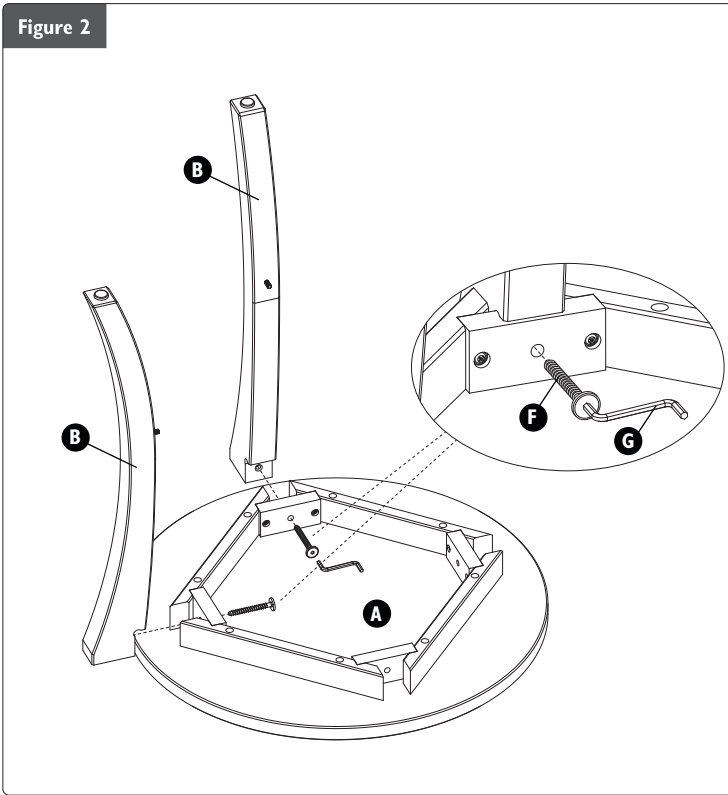


Steps to Install

- 1. Before installation, carefully unpack and identify all parts.**
- Attach **wooden dowels (D)** to **legs (B)**.
(see figure 1).

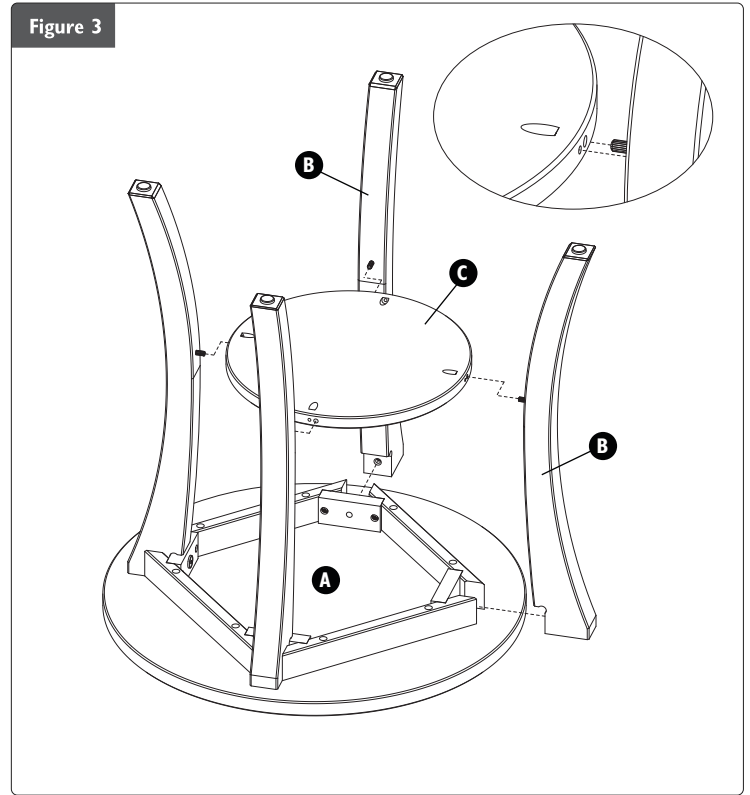
Continued on next page

Figure 2



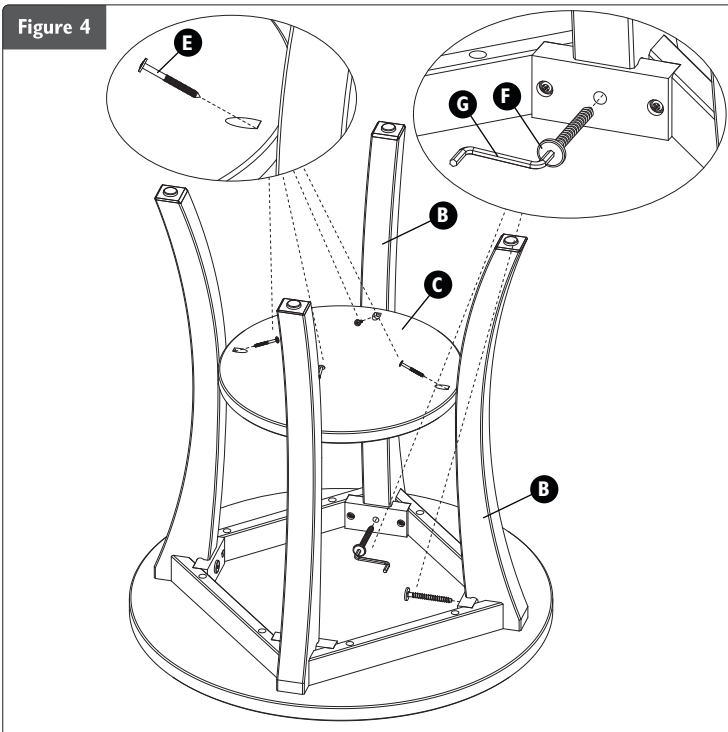
3. Attach two legs (B) on top assembly (A) with bolts (F) using allen wrench (G). (see figure 2).

Figure 3



4. Attach shelf (C) to legs (B) and attach other two legs (B) to top assembly (A) and shelf (C) (see figure 3).

Figure 4



5. Fix legs (B) to top assembly (A) with bolts (F) using allen wrench (G).
6. Fix shelf (C) to legs (B) with screws (E) using phillips screwdriver; (see figure 4).