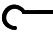







Thank you for purchasing this quality product. Be sure to unpack carefully looking for small parts which may have come loose during shipment.

Read all instruction and study the drawing carefully before starting the assembly process .

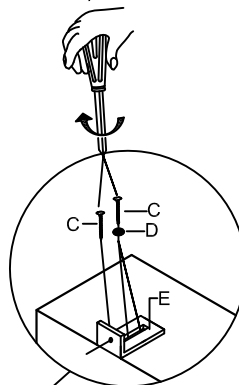
HARDWARE PACK

NO.	DRAWING	DESCRIPTION	SIZE	Q'TY	PARTS LIST			
					NO.	DRAWING	DESCRIPTION	Q'TY
A		Hook	4*53mm	2PCS	1		Mirror	1PC
B		Plastic Anchor	∅ 9*30mm	4PCS				
C		Screw	1 1/4"	6PCS				
D		Flat Washer	16mm	4PCS				
E		Hanger	75*30*38mm	2PCS				

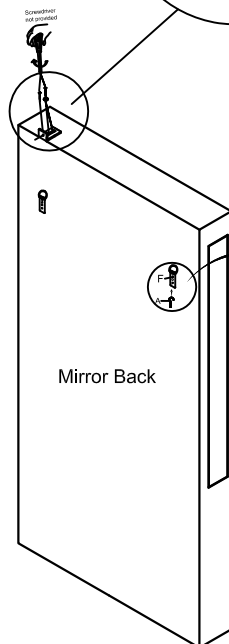
**Caution: This mirror is heavy and must be attached to the wall for safety reason.**

Attach the hanger (E) on the top of mirror (1), then attach the mirror to the wall.

Screwdriver  
not provided



STEP 1



When using mirror only,  
hang the metal ring (F) onto  
the hook (A).

STEP 2