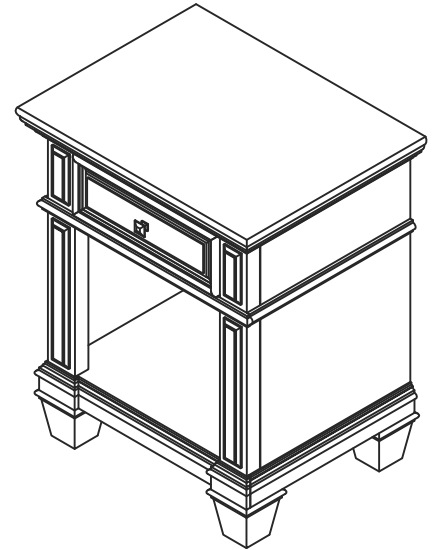


88 5029 42 Night Stand



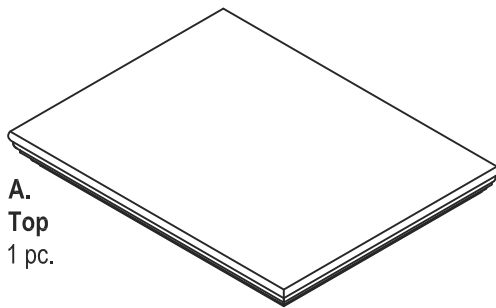
Home
Styles

IMPORTANT NOTE

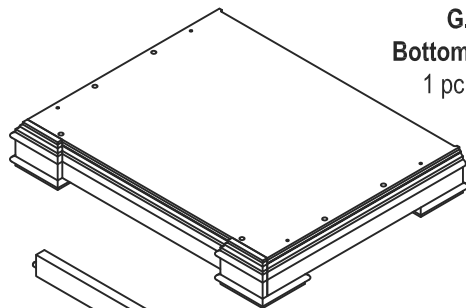
Carefully remove all the parts from the carton and put them individually on a soft cloth to prevent scratches or other damage occurring to the parts.

We have taken great care in the design of this product and request that you carefully and strictly follow our assembly instructions to ensure a completed product as it was designed.

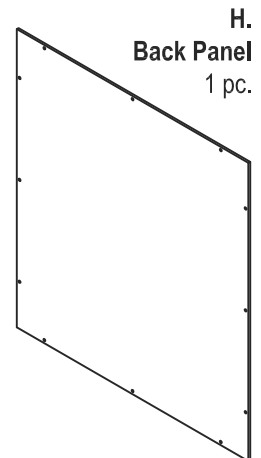
Part List



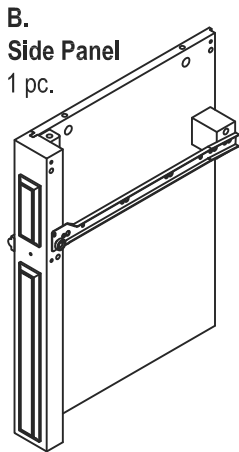
A.
Top
1 pc.



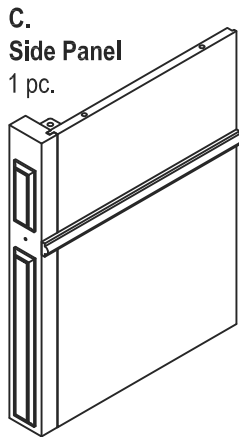
G.
Bottom
1 pc.



H.
Back Panel
1 pc.



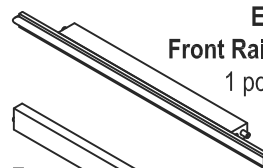
B.
Side Panel
1 pc.



C.
Side Panel
1 pc.



D.
Front Rail
1 pc.



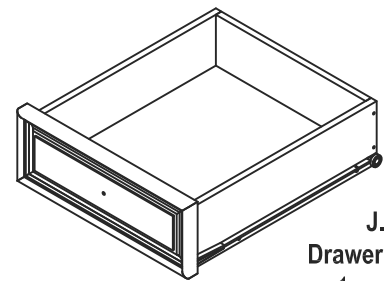
E.
Front Rail
1 pc.



F.
Back Rail
1 pc.



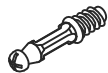
I.
Leg
4 pcs.



J.
Drawer
1 pc.

(Please refer to the last page(s) of instructions for steps to complete drawer assembly)

Hardware List



Cam Lock Screw
10 pcs. (+1 extra)



Cam Lock
10 pcs. (+1 extra)



(M4x64)
2 1/2" Round Head Screw
4 pcs. (+1 extra)



(M3x25)
1" Round Head Screw
2 pcs. (+1 extra)



(M3x13)
1/2" Round Head Screw
12 pcs. (+1 extra)



(M3x32)
1 1/4" Flat Head Screw
8 pcs. (+1 extra)



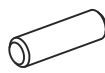
(M3x19)
3/4" Flat Head Screw
4 pcs. (+1 extra)



(5/32"x1")
Machine Screw
1 pc.



Handle
1 pc.



Wooden Dowel
6 pcs. (+1 extra)



Square Washer
4 pcs. (+1 extra)



Nut
4 pcs. (+1 extra)



Wrench
1 pc.

Tools Required For Assembly : Phillips screwdriver

Tools Recommended For Assembly : Level

Home Styles Consumer Assistance: www.homestyles-furniture.com,
servicedesk@homestyles-furniture.com, 888-680-7460, 877-831-0319

Assembly Instructions 2/7

IMPORTANT

- * Do not tighten up all the screws until each part is properly assembled.
- * Use a soft cloth between these parts and the floor.
- * You should keep Wrench in a safe place as you may need to tighten up the Nuts in the future.
- * After assembly, item must be level to work properly. Use the included adjustable levelers to level.

STEP 1

Insert Cam Lock Screws into the pre-drilled holes of Top (A) and Side Panels (B) and (C).

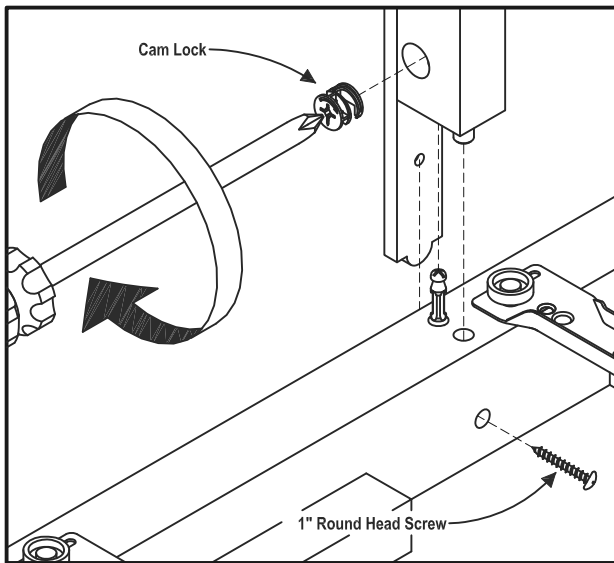
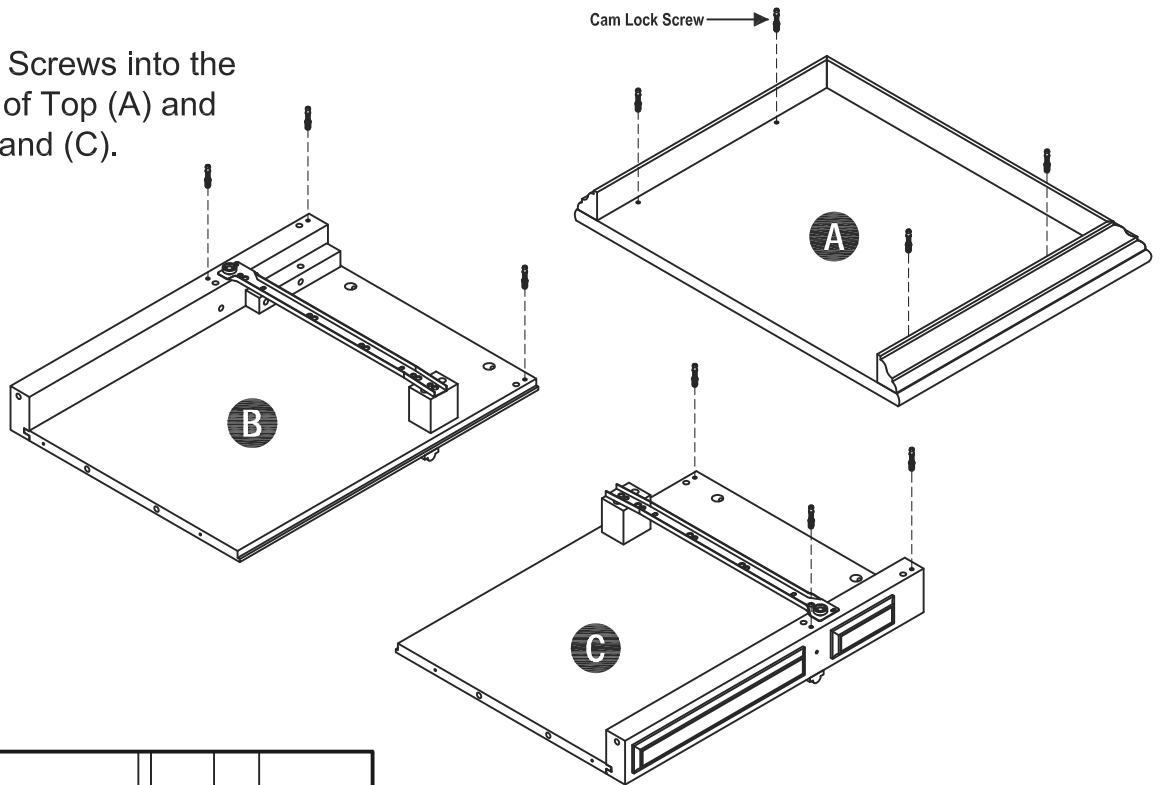
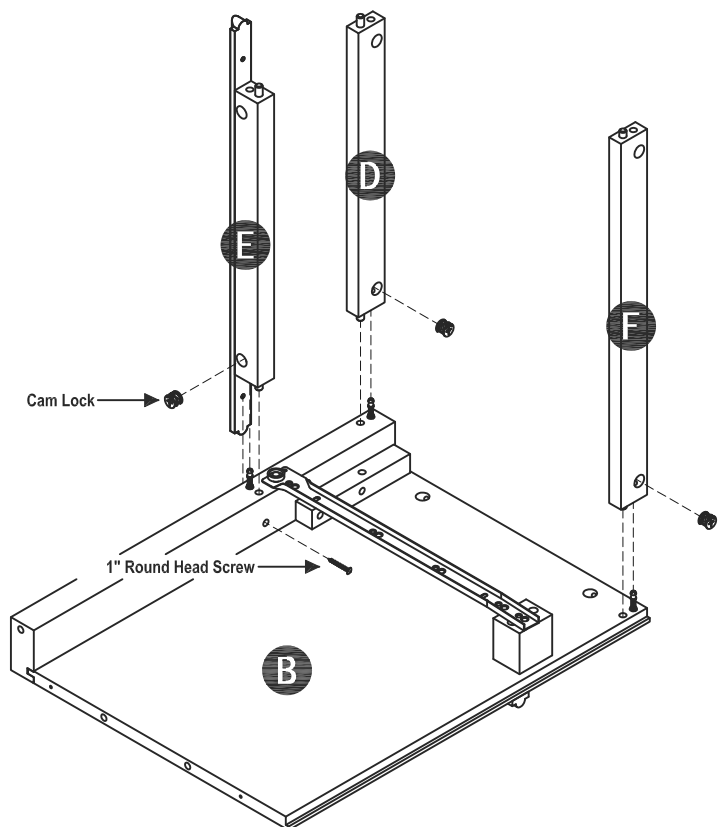


Figure 1

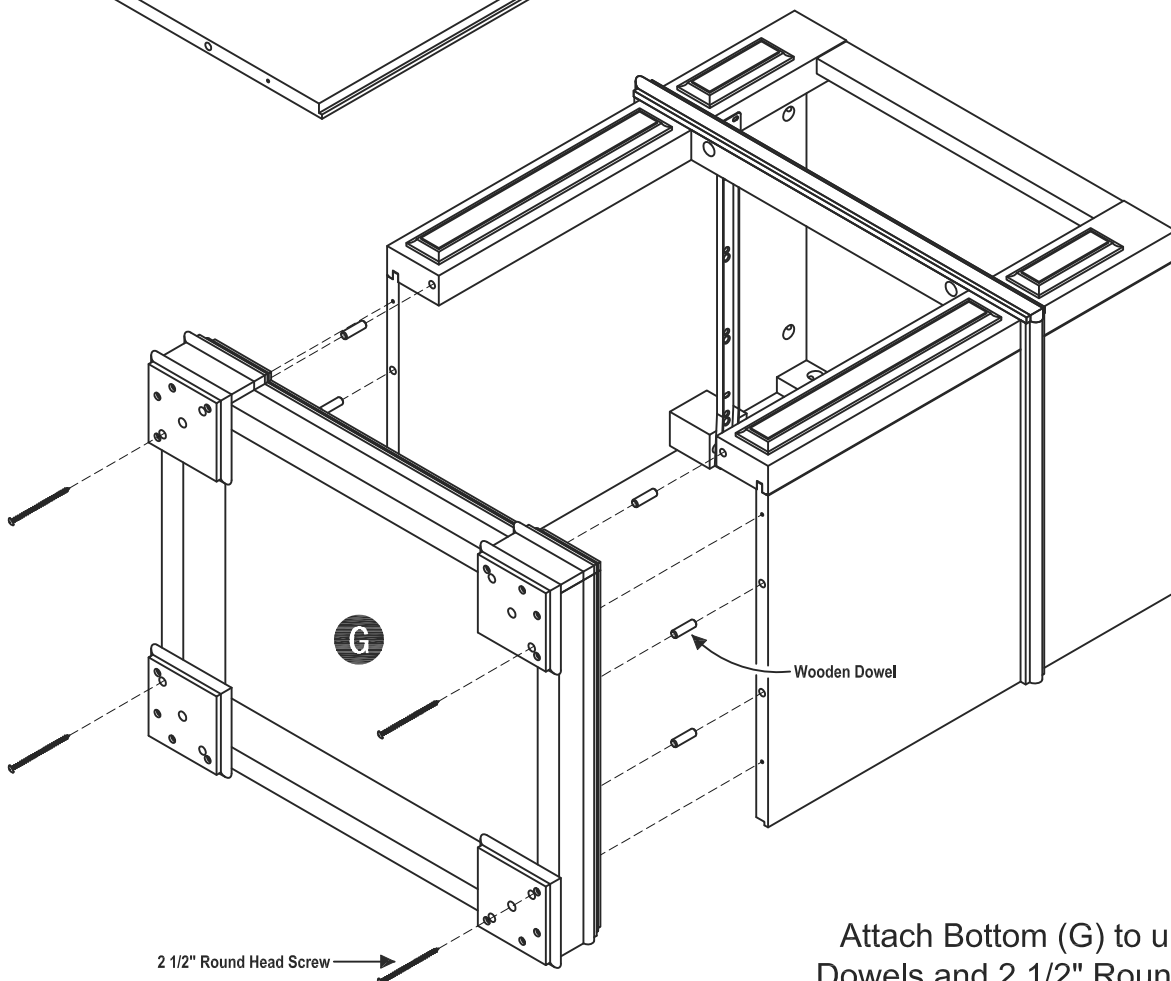
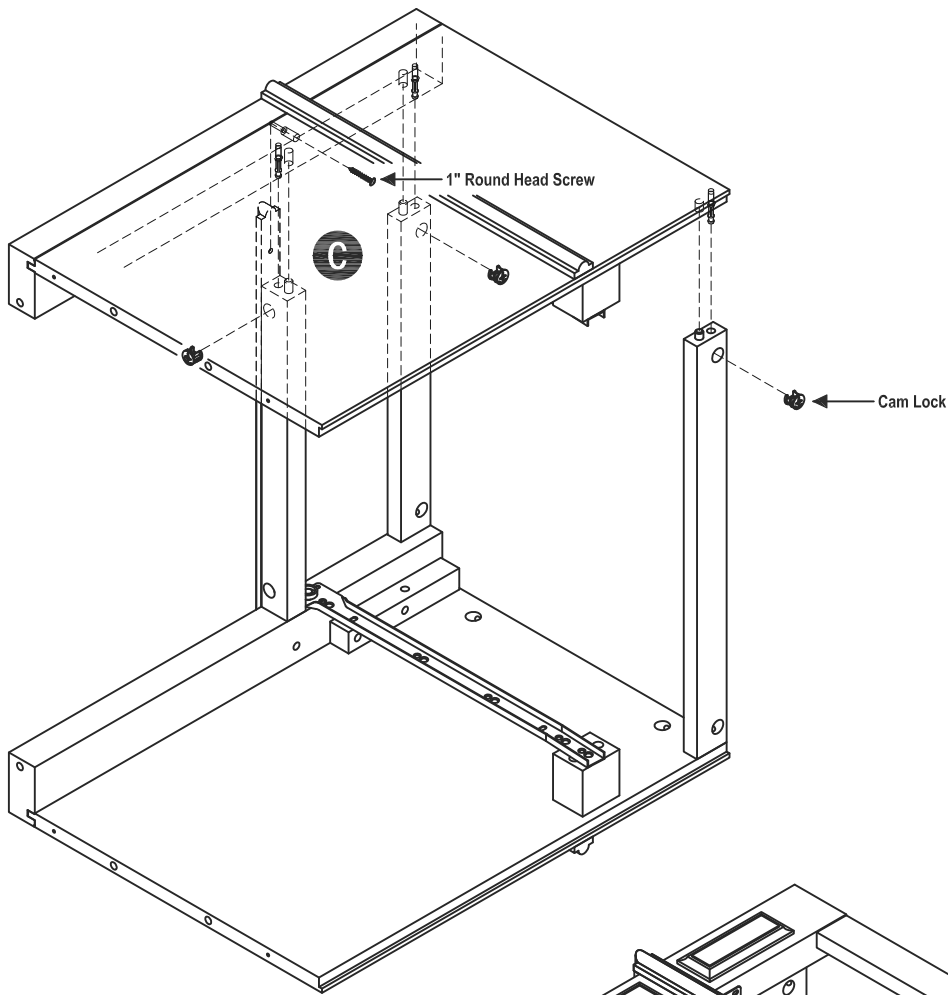
STEP 2

Attach Front and Back Rails (D), (E) and (F) to Side Panel (B) with Cam Locks and 1" Round Head Screw. (See Figure 1)



STEP 3

Attach Side Panel (C) to unit with Cam Locks and 1" Round Head Screw.



STEP 4

Attach Bottom (G) to unit with Wooden Dowels and 2 1/2" Round Head Screws.

STEP 5

Attach Legs (I) to unit with Square Washers and Nuts.

Tighten all the Nuts with Wrench. (See Figure 2)

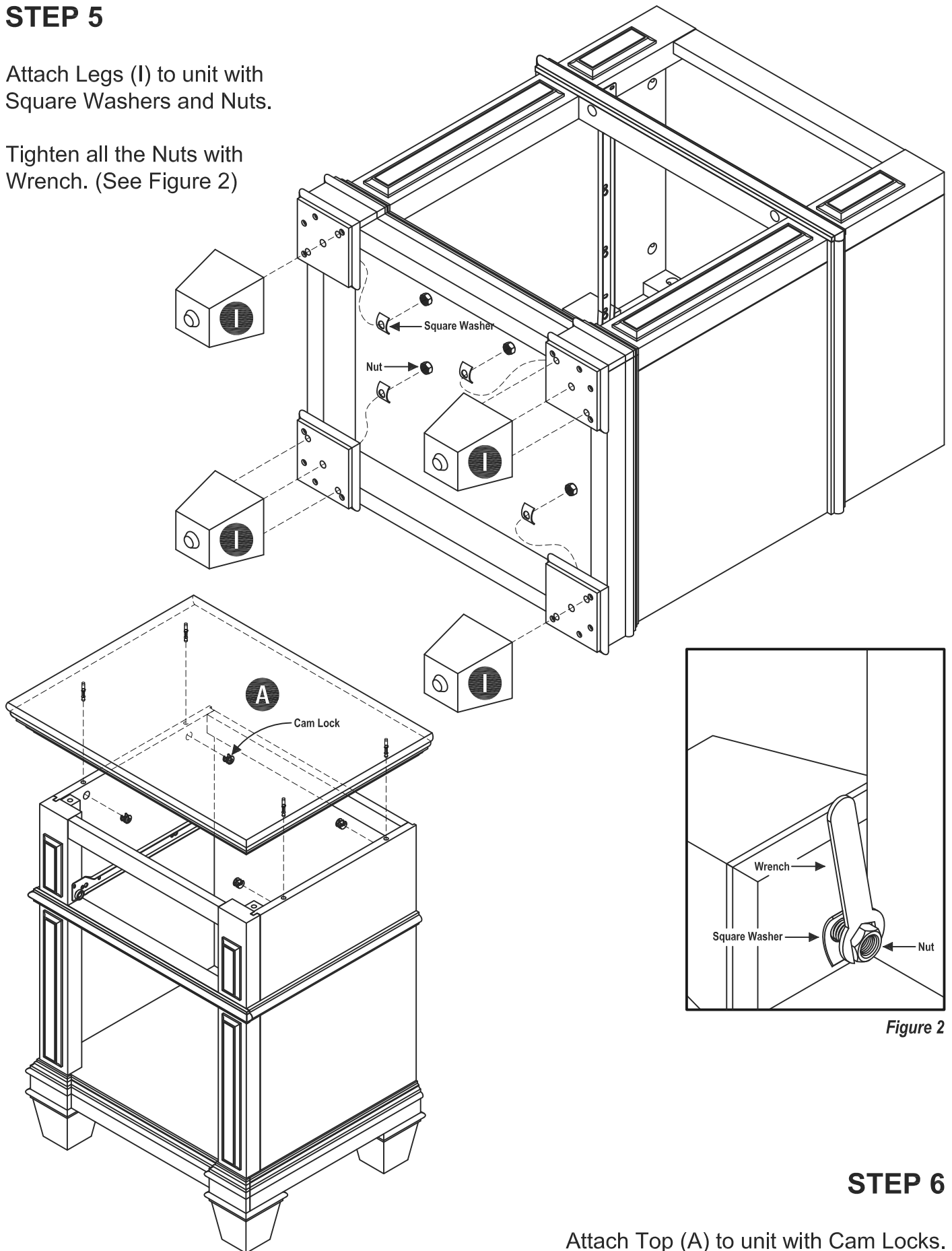


Figure 2

STEP 6

Attach Top (A) to unit with Cam Locks.

STEP 7

To level the unit, adjust the adjustable levelers on the bottom of the legs. (See Figure 3)

Note: Unit must be level to work properly.

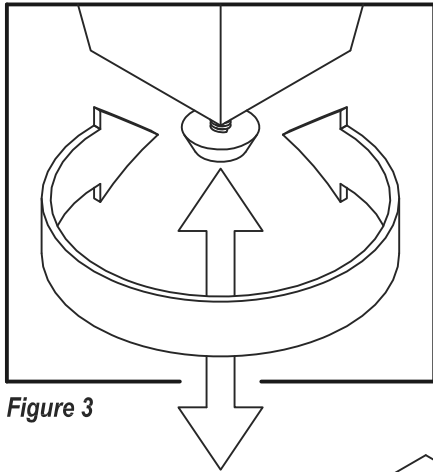
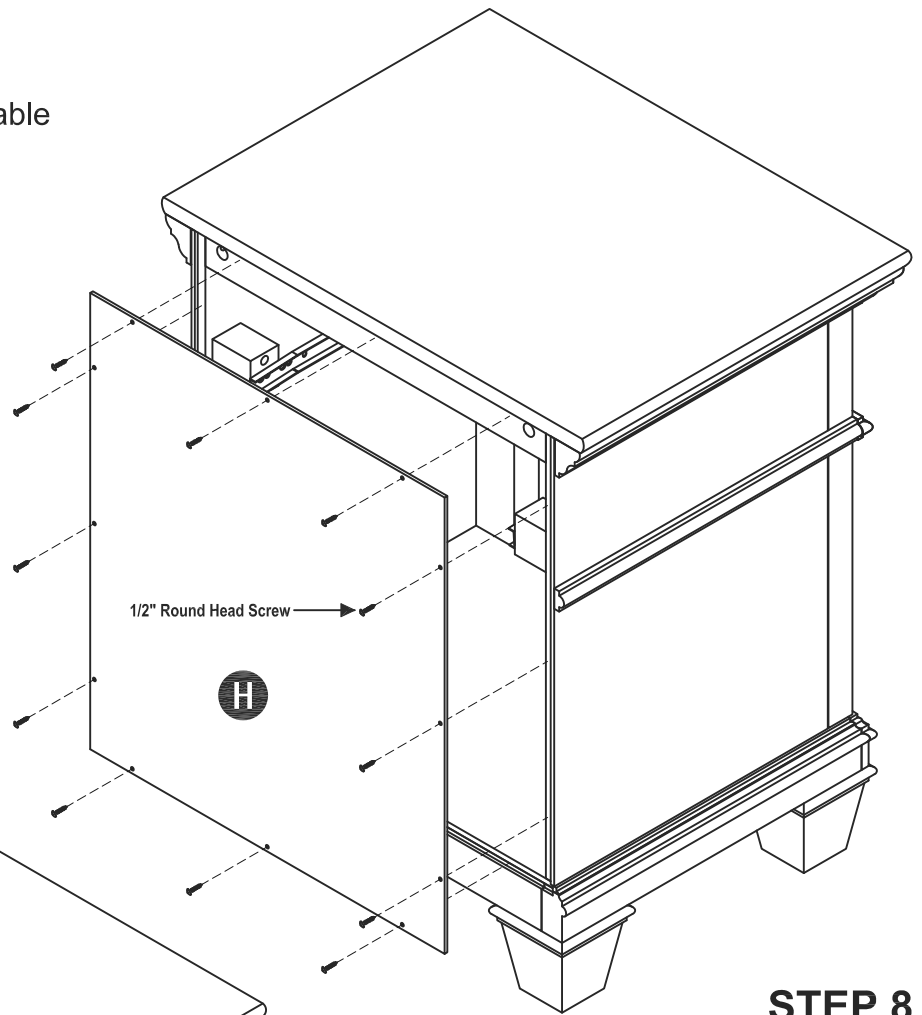


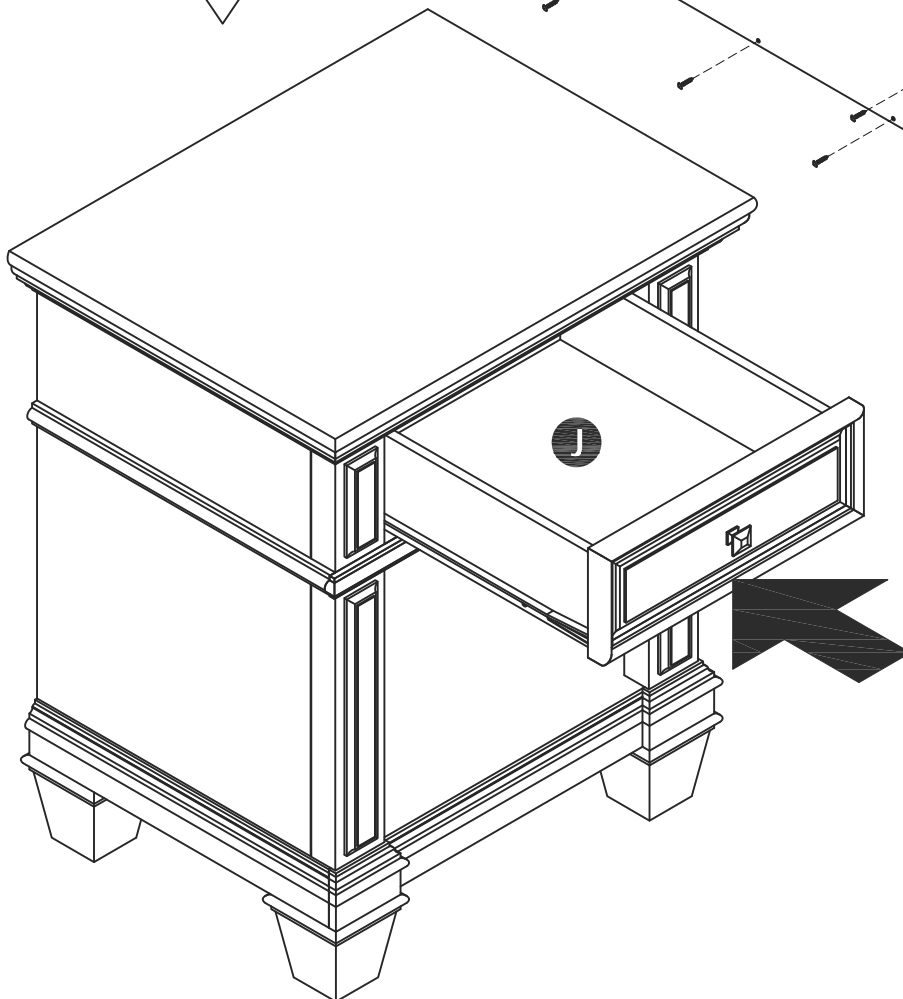
Figure 3



STEP 8

Attach Back Panels (H) to unit with 1/2" Round Head Screws.

Note: Please make sure unit is level before tightening these screws.



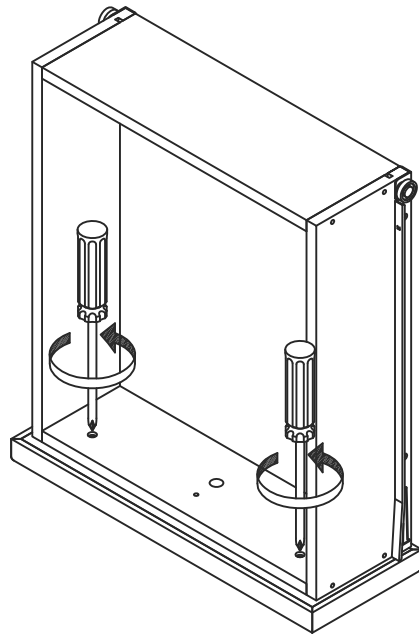
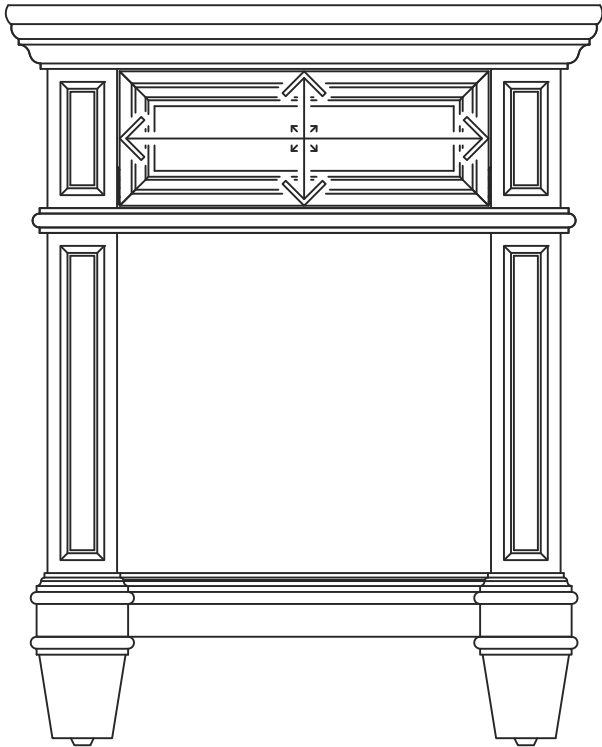
STEP 9

Slide Drawer (J) into place.

Note: Follow the steps on the next page to use 3/4" Flat Head Screws to complete drawer assembly.

STEP 10

Loosen slightly the two screws pre-installed on the back of the drawer fronts.

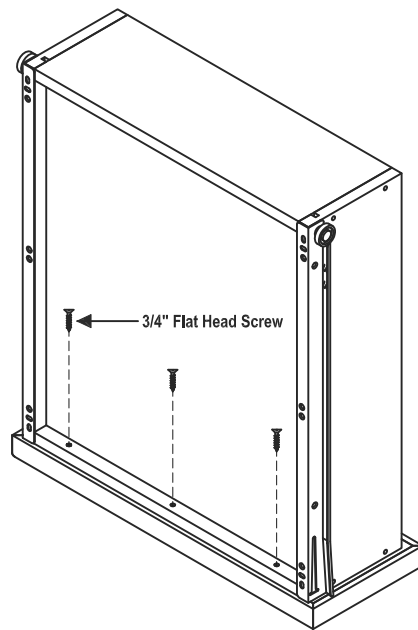
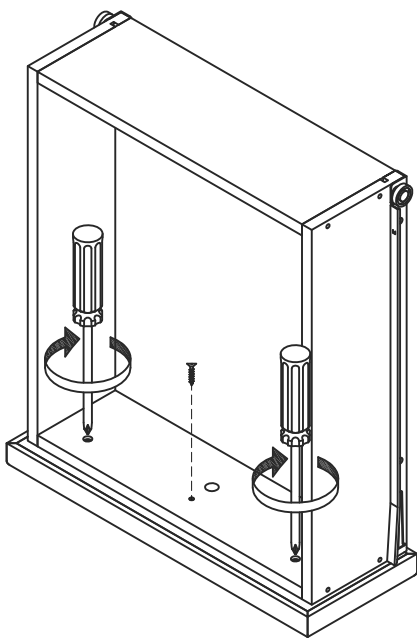


STEP 11

Insert the drawer into the unit, then adjust the drawer front panel left or right and up or down until the drawer gaps look proportional.

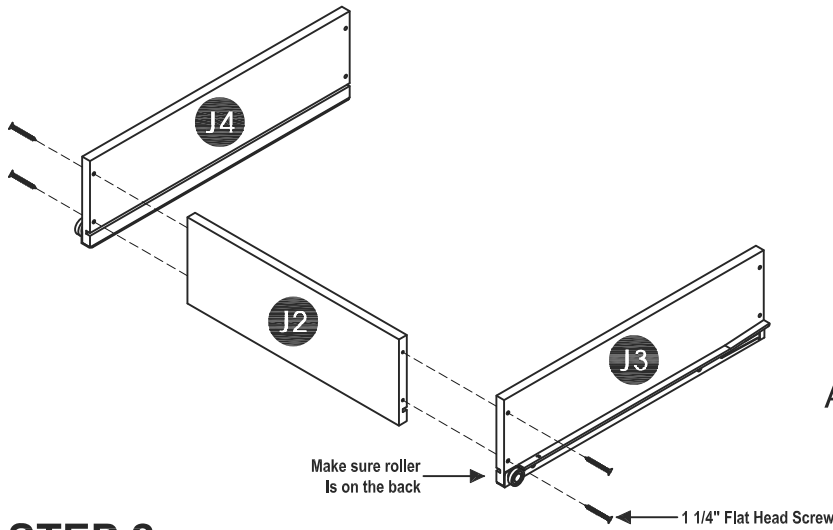
STEP 12

Pull the drawer open slowly and re-tighten the screws from Step 10. Make sure the front panel does not move and lock the drawer front panel into position with 3/4" Flat Head Screws.



Note: These 3/4" Flat Head Screws on this page must be installed to complete the drawer assembly.

Drawer (J)



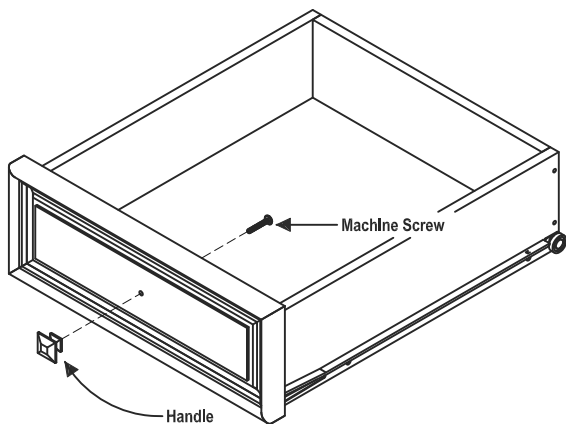
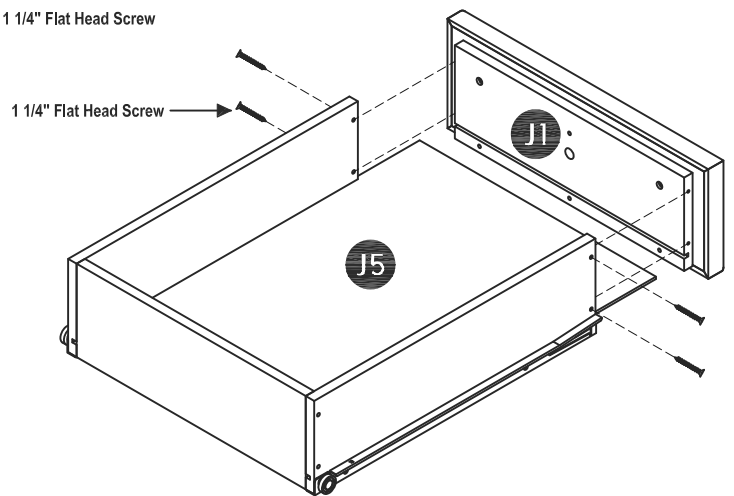
STEP 1

Attach Side Parts (J3) and (J4) to Back Part (J2) with 1 1/4" Flat Head Screws.

STEP 2

Insert Base Part (J5) into the groove.

Attach Front Part (J1) to unit with 1 1/4" Flat Head Screws.

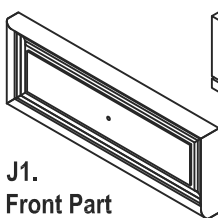


STEP 3

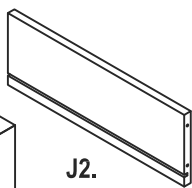
Attach Handle with Machine Screws.

Note: Drawer assembly is not complete until 3/4" Flat Head Screws are used in a later step.

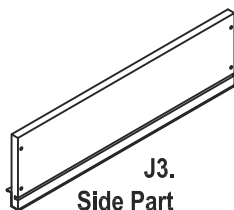
Part List



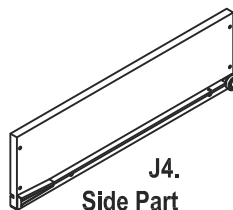
J1.
Front Part
1 pc.



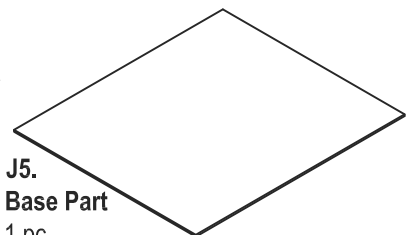
J2.
Back Part
1 pc.



J3.
Side Part
1 pc.



J4.
Side Part
1 pc.



J5.
Base Part
1 pc.

VERY IMPORTANT !!

CARE INSTRUCTIONS

NEVER

USE GLASS CLEANERS ON FINISHED FURNITURE. AMMONIA WILL CHEMICALLY ATTACK THE FINISH.

NEVER

ALLOW LIQUIDS OF ANY KIND TO REMAIN ON THE FURNITURE. ABSORPTION CAUSES PART TO WARP AND SPLIT AND FINISHES TO DELAMINATE.

DO NOT WRITE DIRECTLY ON SURFACE.



PREVENT MARKING

DO NOT PLACE IN DIRECT SUNLIGHT.



PREVENT FADING

DO NOT USE COMMERCIAL WAXES AND POLISHES.



PREVENT YELLOWING

DO NOT PLACE HOT OBJECTS ON SURFACE.



PREVENT FINISH DAMAGE

DO NOT USE RUBBER BASED PLACE MATS.



PREVENT DISCOLORING

TO CLEAN

USE A SOFT CLOTH MOISTENED IN LUKEWARM SOAP AND WATER, THEN BUFF WITH A DRY CLEAN CLOTH.



Home Styles will provide replacements free of charge for missing or damaged hardware or parts within 30 days of purchase. Digital images of the defective parts may be required. If this product was not purchased from an authorized retail affiliate, Home Styles is under no obligation to provide replacement parts. Parts are not available for fully assembled items nor are parts available for sale. Replacements for missing or damaged hardware or parts may be requested at:

www.homestyles-furniture.com/customer_service

Home Styles Consumer Assistance: www.homestyles-furniture.com,
servicedesk@homestyles-furniture.com, 888-680-7460, 877-831-0319