

# Installation Instructions

## Freestanding Heated Airbath with Heated Surface

Record your model number:  
Noter le numéro de modèle:  
Anoté su número de modelo: \_\_\_\_\_

Français, page 13  
Español, página 24

**KOHLER**<sup>®</sup>

# Thank You for Choosing KOHLER

---


Need help? Contact our Customer Care Center.

- USA/Canada: 1-800-4KOHLER (1-800-456-4537) Mexico: 001-800-456-4537
- Service parts: [kohler.com/serviceparts](http://kohler.com/serviceparts)
- Care and cleaning: [kohler.com/clean](http://kohler.com/clean)
- Patents: [kohlercompany.com/patents](http://kohlercompany.com/patents)

## Installation Instructions

---

 **WARNING:** When using electrical products, basic precautions should always be followed, including the following:


 **DANGER:** Risk of electric shock. Connect only to a circuit protected by a Ground-Fault Circuit-Interrupter (GFCI)\*.


Install to permit access for servicing.

A pressure wire connector marked "Earth/Ground" is provided within the wiring compartment. To reduce the risk of electric shock, connect this connector to the grounding terminal of your electric service or supply panel with copper wire equivalent in size to the circuit conductor supplying this equipment.

A pressure wire connector is provided on the exterior of the pump or control within this unit to permit connection of a bonding conductor between this unit and all the other exposed metal in the vicinity, as needed to comply with local requirements.

**NOTICE: Grounding is required.** The unit should be installed and grounded by a qualified service representative.

 **WARNING: Risk of injury or property damage.** Read all instructions thoroughly before beginning installation.

 **WARNING: Risk of electric shock.** A qualified electrician should make all electrical connections.

 **WARNING: Risk of electric shock.** Disconnect the power before installation or servicing.

**NOTICE: Follow all plumbing, building, and electrical codes.** In Canada, install this unit in accordance with the Canadian Electrical Code, Part 1.

\*Outside North America, this may be known as a Residual Current Device (RCD).

## Product Information

---

### Electrical Requirements

The installation must have **two** Class A Ground-Fault Circuit-Interrupters (GFCI). The GFCI protects against line-to-ground shock hazard. **Use a 120 V, 15 A, 60 Hz dedicated service for the blower. Use a separate 120 V, 15 A, 60 Hz dedicated service for the bubble heater and heated surface.**

If the blower supply cord is damaged, it must be replaced by the manufacturer, its service agent, or similarly qualified persons in order to avoid a hazard.

## Product Notices

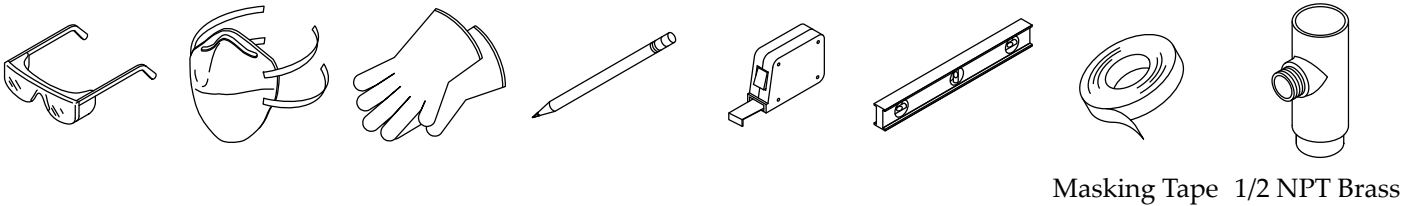
**IMPORTANT!** The recommended operating pressure for this system is 35-60 psi (241-414 kPA).

**NOTICE:** Keep the area around the blower clean and free of debris. Verify that the area around the blower is free of sawdust, insulation, dirt, and other small loose debris. Such material can block the blower air ducts and reduce the air flow through the blower.

**NOTICE:** This product contains an automatic water purge mode that turns the blower on for 5 minutes after the unit is turned off and drained.

## Tools and Materials

---



### Plus:

- Drop Cloth
- Shims
- 2x4s
- Wood Blocks
- 1/2" (13 mm) Exterior Grade Plywood (for Rim-mount Faucet)

## Before You Begin

---

**NOTICE:** This product requires remote blower installation. **Refer to the instructions included with the remote blower kit before proceeding.**

**NOTICE:** Adequate floor support must be provided. Note the **model number** on the components end of the bath, then visit the product page at [kohler.com](http://kohler.com) for additional information.

**NOTICE:** Do not lift the bath by the piping or blower, or use the piping or blower for structural support of the bath. To avoid damage to the bath, lift at the sides of the bath.

**NOTICE:** Before installing a rim-mount bath faucet, refer to the Specification Sheet on the bath product page at [kohler.com](http://kohler.com) for faucet area dimensions for your model.

**NOTICE:** Provide adequate backer board support for a rim-mount faucet; large faucets that may be inadvertently used as a means of support are not safe for this installation.

**NOTICE:** To ensure a successful installation, install the bath on a level, finished floor.

Follow all local plumbing, building, and electrical codes.

To simplify future maintenance, verify that all plumbing and control board connections around the bath are easily accessible.

Two people should perform this installation.

Use conduit to route electrical power wires from the circuit breaker.

Carefully plan moving the bath into the installation area. This bath will not easily fit through doorways.

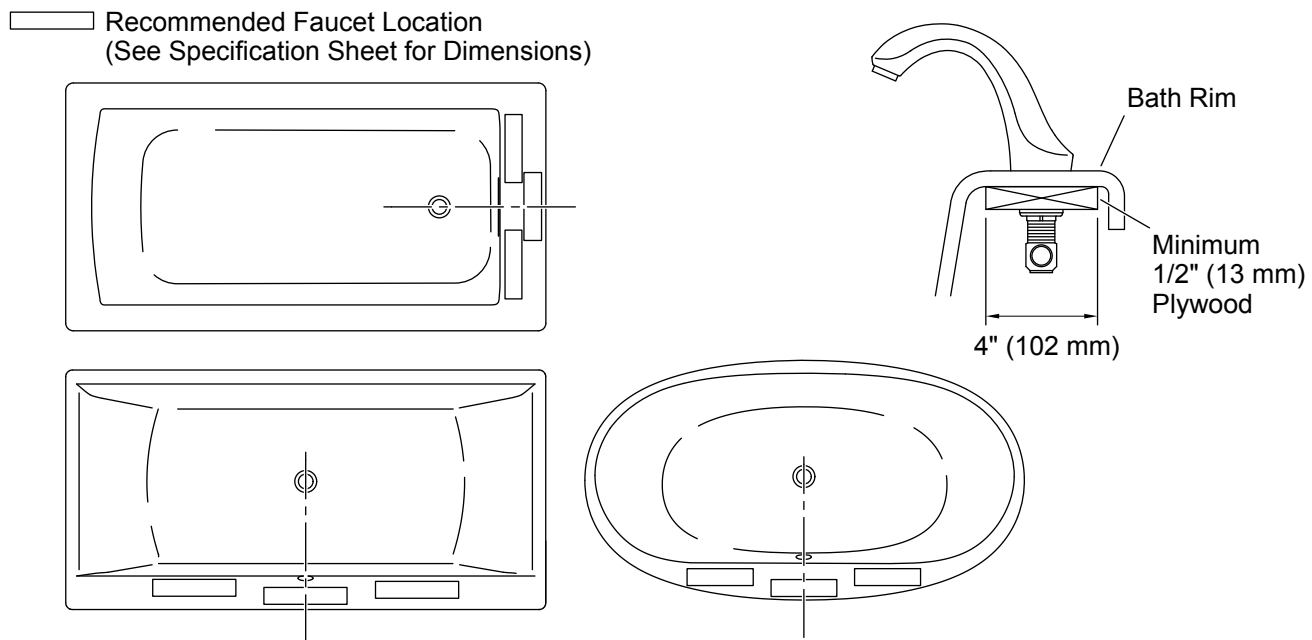
Unpack and inspect the bath and components for damage. Return the bath and components to the carton until installation.

This bath is designed for freestanding installation only.

If installing a rim-mount faucet, verify that there is no interference above or below the rim before drilling any holes.

Illustrations shown may not look like your actual product but they still apply to this installation.

## 1. Prepare the Rim-Mount Faucet (Optional)



**NOTICE:** Before installing a rim-mount bath faucet, refer to the Specification Sheet on the bath product page at [kohler.com](http://kohler.com) for faucet location dimensions for your model.

**NOTICE:** To accommodate the bath shroud, use flexible connections to attach the water supplies to a rim-mount faucet.

**NOTICE:** For rim-mount faucet installations, route the water supply lines high enough to permit access for making the final connections from above the shroud.

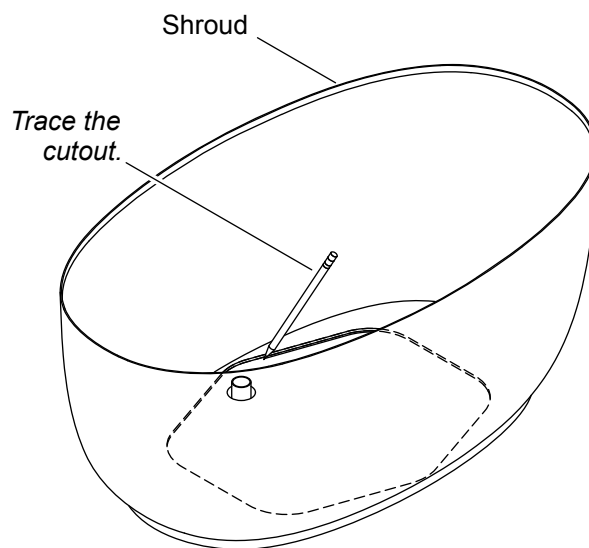
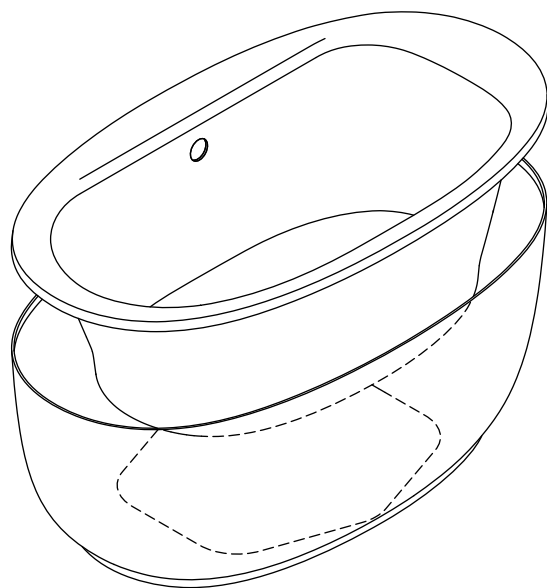
- Refer to the Specification Sheet on the bath product page at [kohler.com](http://kohler.com) to determine the recommended faucet location and drain model for your bath.
- Measure and cut a piece of 1/2" (13 mm) exterior grade plywood to support the faucet. The board should be 4" (102 mm) wide. The length should extend beyond the width of the faucet holes for proper support.
- Locate the faucet in the recommended location on the bath rim. Verify that the faucet trim fits on the bath rim without overhang. Verify that there is no interference above or below the rim before drilling any holes.
- Refer to the Installation Instructions packed with the faucet to determine faucet hole size.
- Use a pencil to mark the faucet hole centerlines. Do not drill the holes at this time.

**⚠ CAUTION: Risk of product damage.** To avoid scratching the bath, position a thin piece of cardboard under any clamps before tightening.

- Position the plywood on the underside of the rim, then clamp in place. To protect the finished surface, apply masking tape beneath the cardboard anywhere the clamps will make contact with the finished surface of the bath. Verify that the clamps do not directly contact the finished surface of the bath.
- Carefully drill the faucet holes.
- Install the valve according to the Installation Instructions included with the valve. **Do not** install the faucet trim until instructed.

## 2. Prepare the Site

---



**NOTICE:** Measure your product for site preparation. Note the **model number** located on the components end of the bath, then visit the product page at [kohler.com](http://kohler.com) for additional information.

**NOTICE:** Remote blower installation is required for freestanding bath installation. Refer to the Installation Instructions included with the remote blower kit before installing the remote blower.

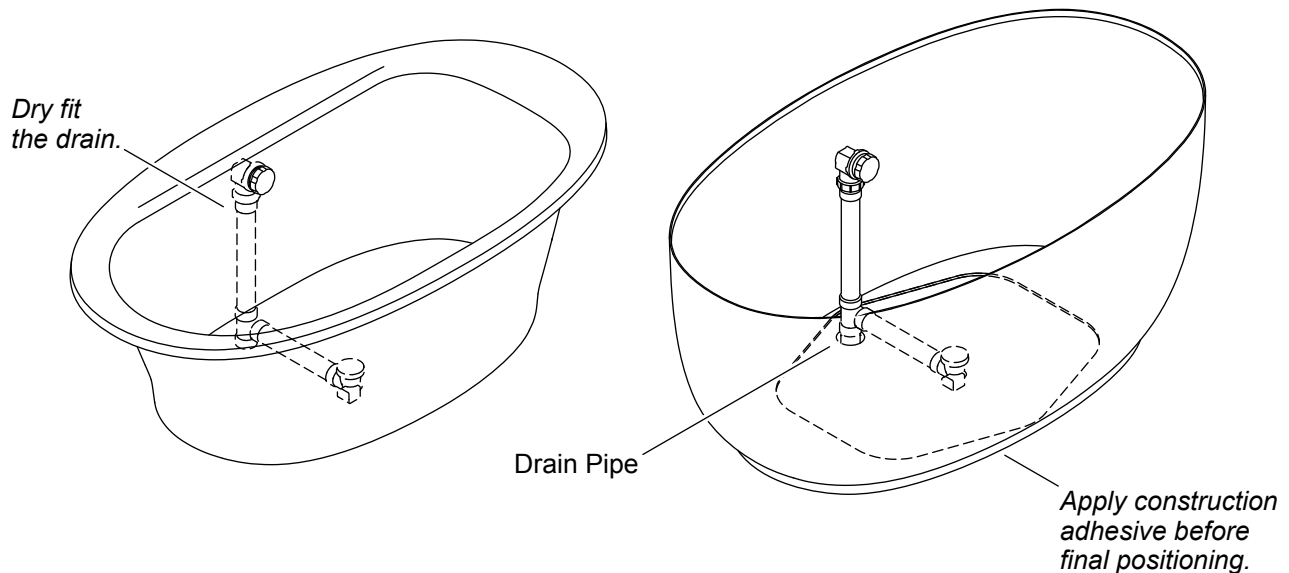
**IMPORTANT!** For a successful installation, install the bath on a level, finished floor.

**IMPORTANT!** Verify that the subfloor offers adequate support for the bath.

- Follow all local plumbing and building codes.
- Temporarily position the bath and shroud in the installation location.
- Verify that the **bath** is level. Shim under the shroud if necessary, and secure the shims to the floor with construction adhesive.
- Without moving the shroud, lift and remove the bath from the shroud.
- Trace the shroud cutout area onto the floor.
- Remove the shroud and set it aside.
- Refer to the Specification Sheet on the bath product page at [kohler.com](http://kohler.com) to determine any drain clearance requirements, and cut adequate floor clearance as needed.
- Refer to the Specification Sheet on the bath product page at [kohler.com](http://kohler.com) for drain height details. Position and install a standard PVC or brass bath drain pipe to the correct height.

### 3. Prepare the Bath

---

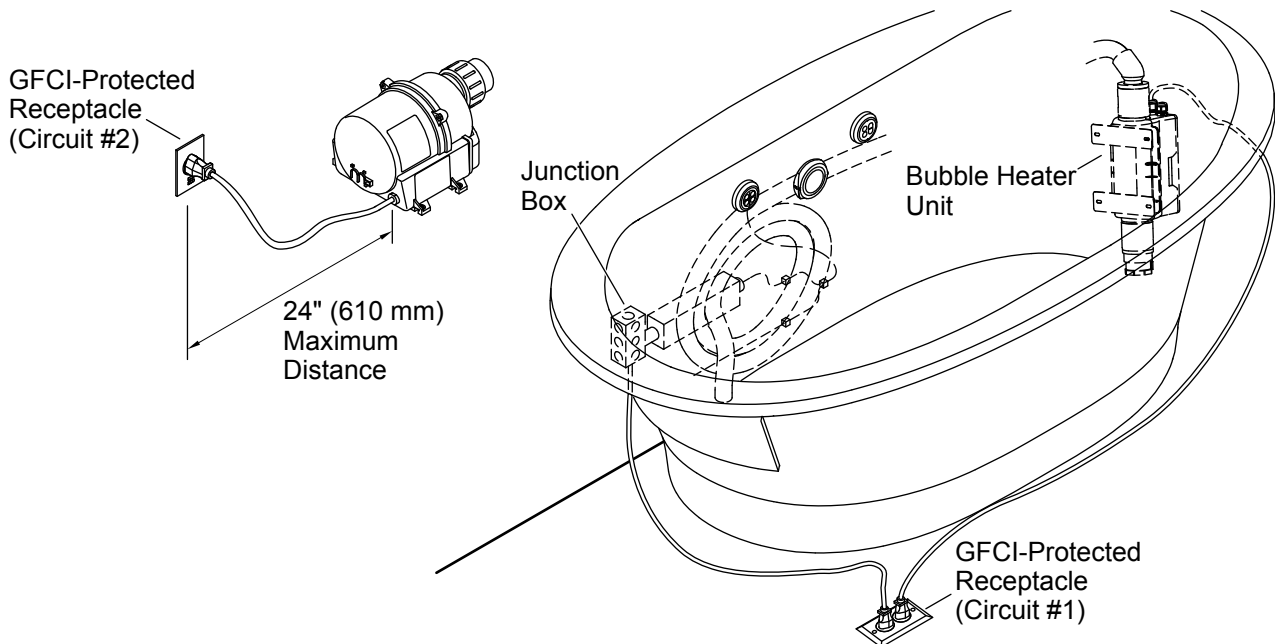


**NOTICE:** Refer to the drain instructions to dry fit the drain to the bath. **Do not cement and complete the drain installation until instructed.**

- Dry fit the drain assembly to the bath. Refer to the drain instructions. **Do not apply sealant or cement** to the drain components at this time.
- Loosen the drain and overflow connections from the bath, and remove the drain assembly from the bath.
- Dry fit the drain assembly to the drain pipe, which has already been cut to the correct height.
- Temporarily position the shroud in place over the drain assembly.
- With help, temporarily lift the bath into place in the shroud. Verify that the bath rim is completely seated over the shroud to engage the alignment guides.
- Verify that the drain and overflow connections line up properly with the drain and overflow holes on the bath. Measure and record any adjustments needed to the drain or overflow tube lengths.
- Remove the bath and shroud, leaving the drain and overflow assembly attached to the drain pipe.
- Adjust the length of the drain tubes as needed to so that drain alignment with the drain and overflow holes in the bath.
- Repeat these drain fit steps until the drain and overflow connections line up with the drain and overflow holes in the bath.
- Cement and assemble the drain and overflow components. Connect the drain tee to the drain pipe.
- Apply 100% silicone sealant to both sides of the drain and overflow gaskets.
- Apply slow-drying construction adhesive to the bottom of the shroud.
- Carefully position the shroud over the drain, aligning the hole with the traced mark on the floor.
- Optional:** For extra stability, secure the shroud to the floor using four screws (not provided).

## 4. Install the Remote Blower

---



**NOTICE:** This product requires remote blower installation.

- Refer to the instructions included with the remote blower kit.

## 5. Make the Electrical Connections

---

**⚠ DANGER: Risk of electric shock.** Connect the junction box, blower motor, and bubble heater to properly grounded, grounding-type receptacles protected by a Ground-Fault Circuit-Interrupter (GFCI)\*. Do not remove the grounding pins from the plugs. Do not use grounding adapters.

**⚠ WARNING: Risk of electric shock.** Verify that the power has been disconnected before performing the following procedures.

**NOTICE:** The blower, heated surface, and bubble heater are equipped with cords and plugs. A qualified electrician must install **two** GFCI\*-protected, 120 V, 15 A, grounded electrical outlets. The bubble heater and heated surface can be on the same dedicated circuit (circuit #1), but no other load should be on this circuit. The remote blower must be on its own dedicated circuit (circuit #2). No other load should be on this circuit.

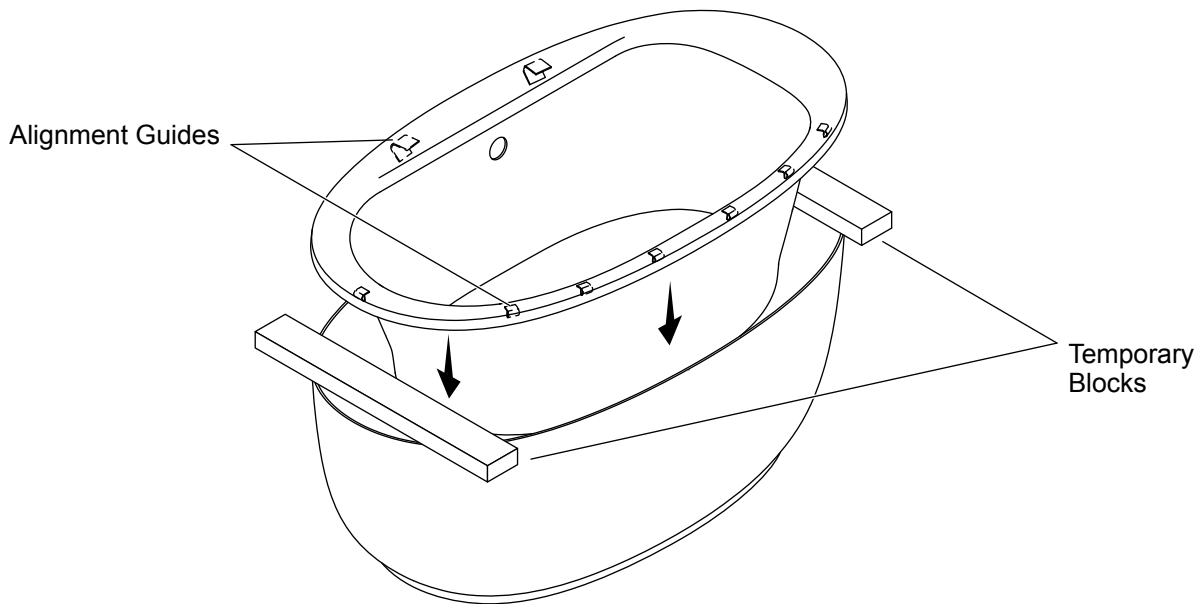
- Install two GFCI\*-protected electrical outlets within reach of the 24" (610 mm) power cords. One electrical outlet will be within 24" (610 mm) of the blower. The other electrical outlet will need to be within 24" (610 mm) of the bubble heater and heated surface junction box cord under the floor or inside of the shroud.
- Verify that the blower cord is plugged into one of the GFCI\*-protected electrical outlets (circuit #2).
- Plug the bubble heater cord into the separate GFCI\*-protected electrical outlet located under the floor or inside the shroud\*\* (circuit #1).
- Plug the heated surface cord into the same GFCI\*-protected electrical outlet located under the floor or inside the shroud\*\* (circuit #1).

\*Outside North America, this may be known as a Residual Current Device (RCD).

\*\*It is recommended to remote the GFCI to an accessible location not under the shroud.

## 6. Install the Bath

---



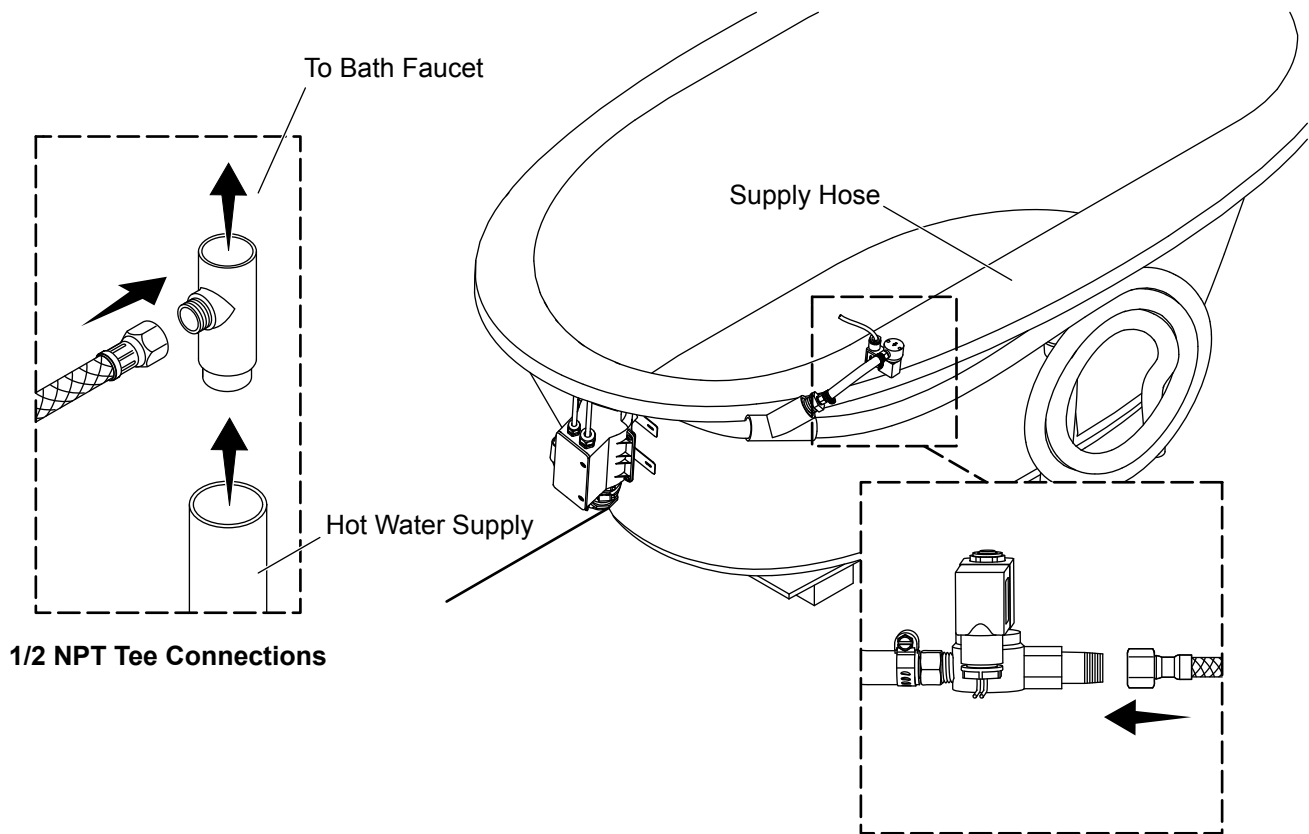
**NOTICE:** Do not lift the bath by the piping or blower, or use the piping or blower for structural support of the bath. To avoid damage to the bath, lift at the sides of the bath.

**NOTE:** To provide access for securing the connections, temporarily position block spacers on opposing ends between the shroud and the bath rim. Position the blocks to avoid damaging the alignment guides located under the bath rim. The type of alignment guides may vary by product.

- With help, carefully lift the bath into place over the shroud and onto the temporary blocks.
- For a rim-mount faucet, install the faucet and trim according to the faucet and trim instructions. Verify that there is adequate support under the bath rim to support the faucet. Refer to the "Prepare the Rim-Mount Faucet (Optional)" section.

## 7. Connect the Bubble Heater

---



**NOTE:** The water supply setup may differ depending on the type of bath faucet that is installed.

- Install the tee (not supplied) to the hot water valve on the bath faucet.
- Thread the supply hose (not supplied) onto the 1/2 NPT port of the tee.
- Thread the opposite side of the supply hose into the 1/2 NPT brass nipple. **Do not kink the hoses.**
- Verify that the bubble heater cord is plugged into the electrical outlet below the floor or in the shroud.

## 8. Complete the Installation

---

- Carefully remove the temporary blocks and verify that the bath rim engages the top of the shroud on all sides.
- Verify that all alignment guides are inside the shroud. There should be no gap between the bath and the shroud.
- Install the drain flange and overflow cover according to the drain instructions.
- Close the bath drain. Fill the bath to the overflow, and check for leaks.
- If desired, apply a thin, continuous bead of clear or color-matched 100% silicone sealant to the seam between the shroud and the finished floor.

### Test Run the Bath

- Check all electrical connections and verify that the electrical power to the bath is on.

- Operate the heated surface user keypad to test the temperature settings.
- Fill the bath to a level at least 4" (102 mm) above the top of the highest airjet.
- Operate the bath for 5 minutes and test the airjets.
- For additional information on bath and heated surface operation, see the Homeowners Guide for this product.