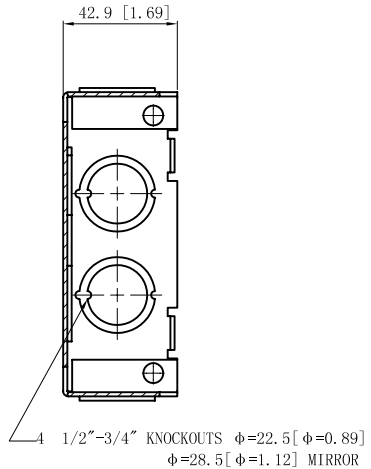
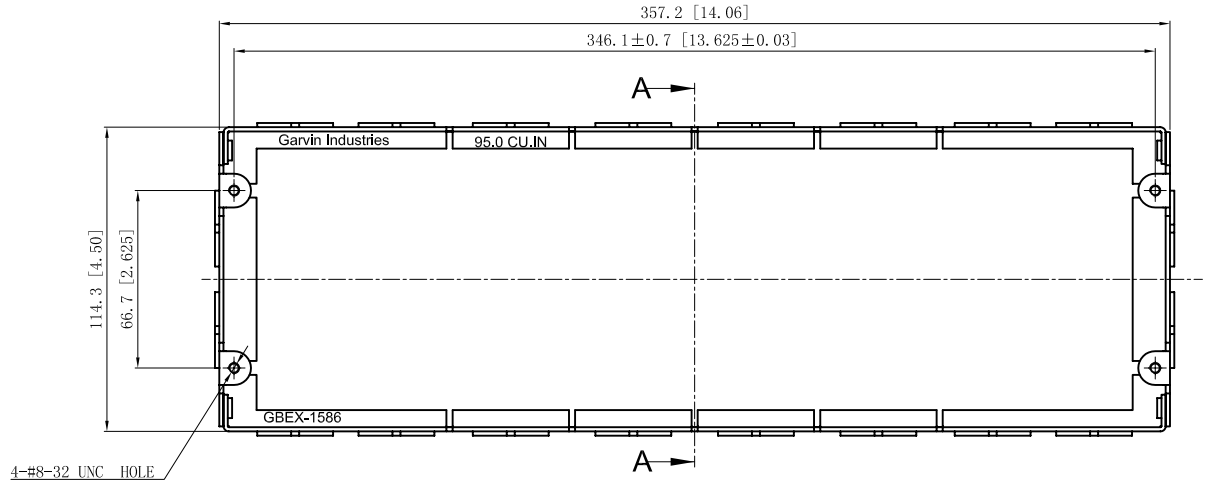
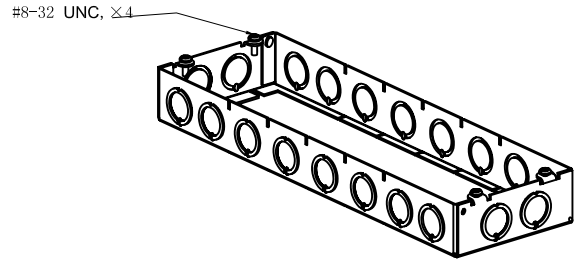
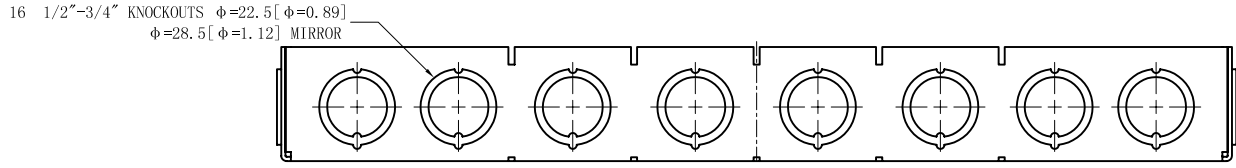


<b>SIDES</b>	<b>BOTTOM</b>
18 1/2"-3/4" KNOCKOUTS	
4 PCS 8-32X1/2 Screws Installed	
Material:Steel-0.0625"-G60 Galvanized	



**CUTAWAY VIEW A-A**



<b>DESCRIPTION</b>
<b>TRADE REFERENCE TERMS</b>

This data sheet is for reference only .GARVIN INDUSTRIES reserves the right to make changes to the design without prior notice.

<b>STANDARD PACKING</b>	<b>GARVIN INDUSTRIES</b>		
	TITLE <b>1-5/8" DEEP MULTI-GANG BOXES EXTENSION RIGS</b>		
5 PCS	SIZE	DWG NO.	REV
	A4	GBEC-1586	A
DATA SHEET			