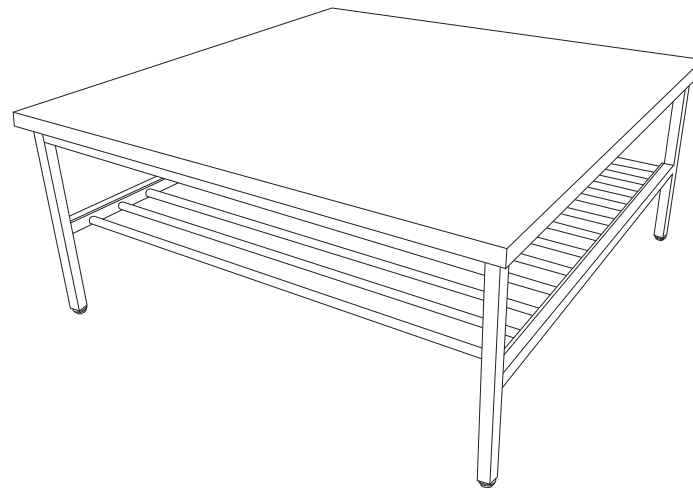
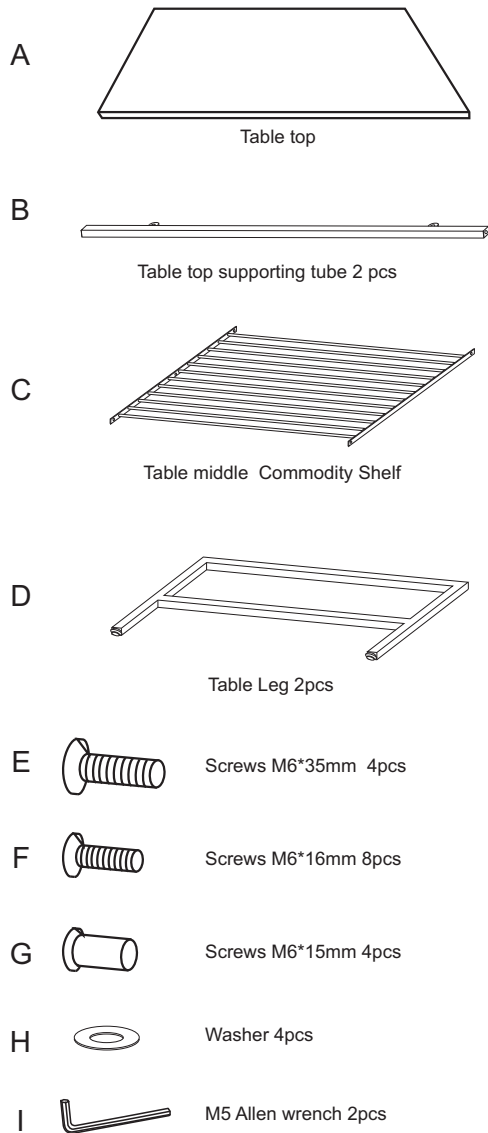


161-ST210 Metal and Wood Side Table

Parts Listing



Assembly Instructions

STOP Two People Needed For Assembly
Please read all instructions before assembly.

Step 1: Place the table top(A) on a flat, clean surface. Assemble it with table top supporting tubes(B) by screws(F) and Washers (H).

Step 2: Place the table legs(D) upside down on the table top and fix them with screws(E).

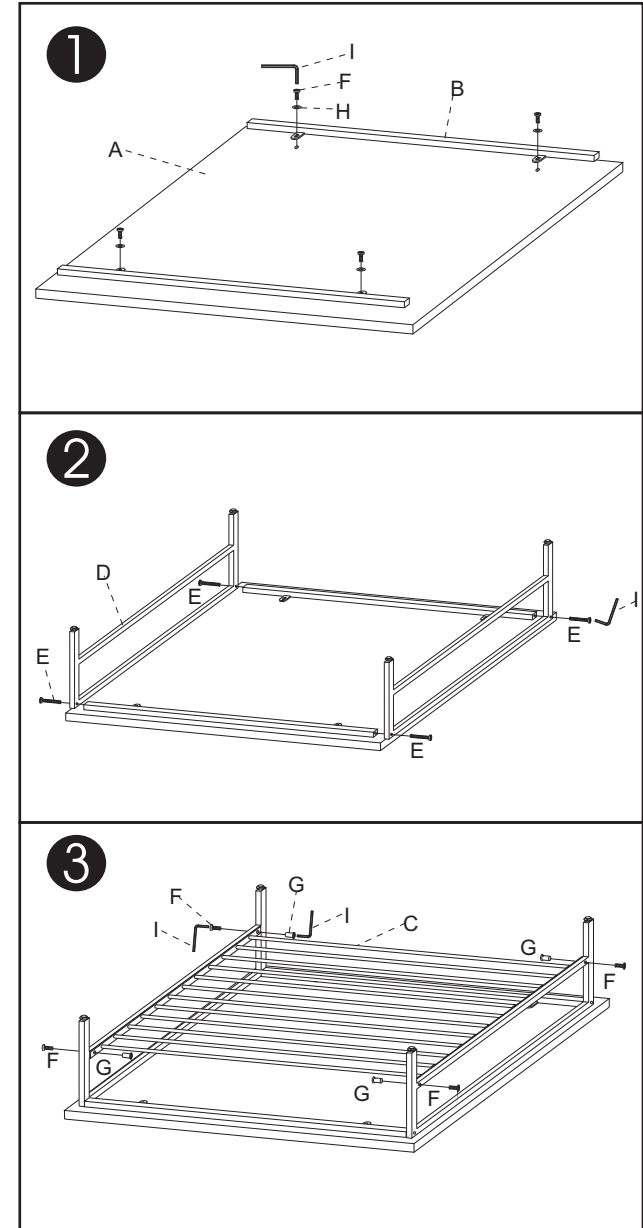
Step 3: Place the Table middle Commodity Shelf (C) into the metal frame and assemble them together with screws(F) and (G)

Assembly Notes:

During assembly, hand tighten screws only. When all screws are in place, you may then tighten all screws completely.

CAUTION:

1. Do not use this table as a step ladder.
2. Check for loose screws and tighten them every 6 months.



ofm

161 Tradition Trail, Holly Springs, NC 27540
800-520-7471 (voice) 919-362-4765 (fax)
919-303-6389 (voice) www.ofminc.com
support@ofminc.com