

Console Sink INSTALLATION INSTRUCTIONS

Swiss Madison®
well made forever



@SwissMadison
#WellMadeForever





PRIOR TO INSTALLATION:

- Inspect product to ensure no damages have occurred while in shipping.
- Observe all plumbing and building codes in accordance with your state and local requirements.
- Floor must be level prior to installation.
- Console height is not adjustable.
- All dimensions are nominal! Be sure to measure your sink prior to installation.
- The step-by-step guidelines in the installation instructions are a general reference. Should there be any discrepancies, Swiss Madison cannot be held liable. It is recommended to install all Swiss Madison products by hiring a licensed professional.
- Read installation and maintenance instructions thoroughly before installing. Be sure to use proper tools and always wear proper personal safety accessories for your protection.
- Two people are recommended to install and move this product.

If you have any questions or concerns please contact us:
1-434-623-4766
info@swissmadison.com

SUGGESTED TOOLS & MATERIALS:

INCLUDED PARTS:



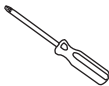
Safety Glasses



Wrench



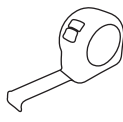
Caulk



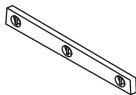
Screwdriver



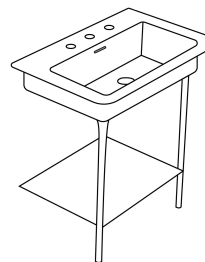
Drill



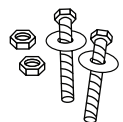
Tape Measure



Level



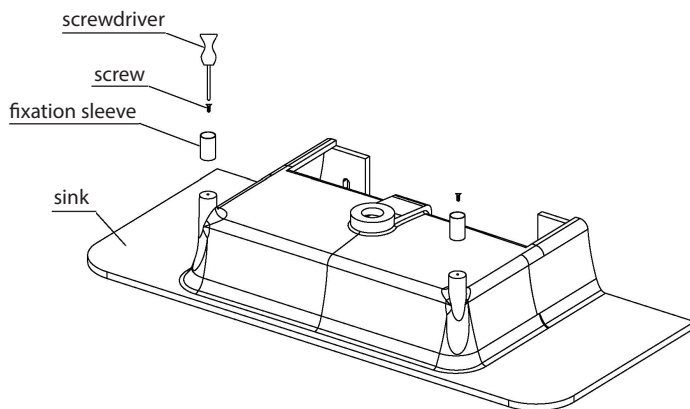
Console Sink & Legs



Mounting Hardware

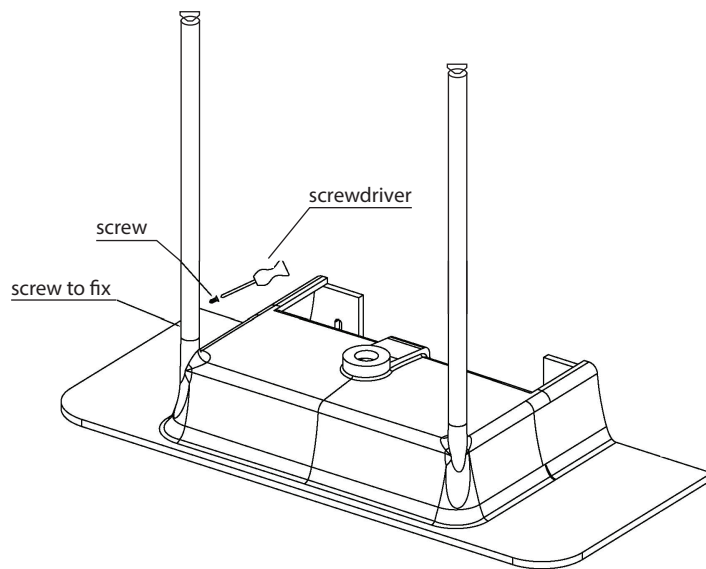
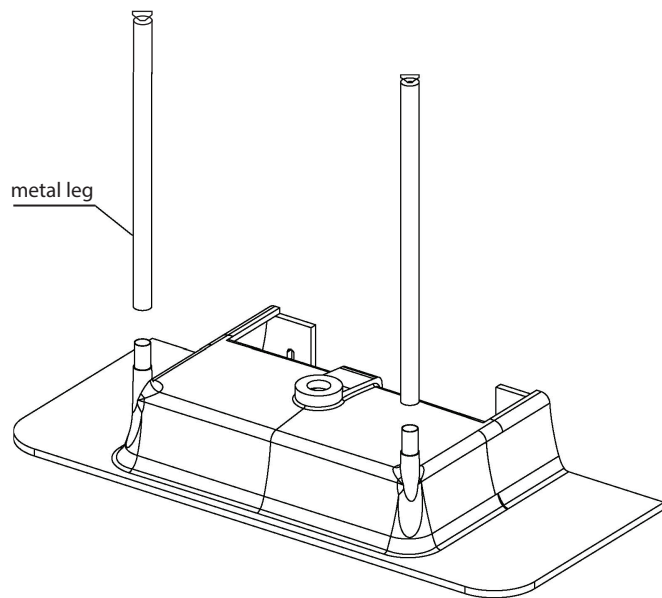
1. Install Inner Sleeve

- Fix the sleeves onto the molded legs of the sink.



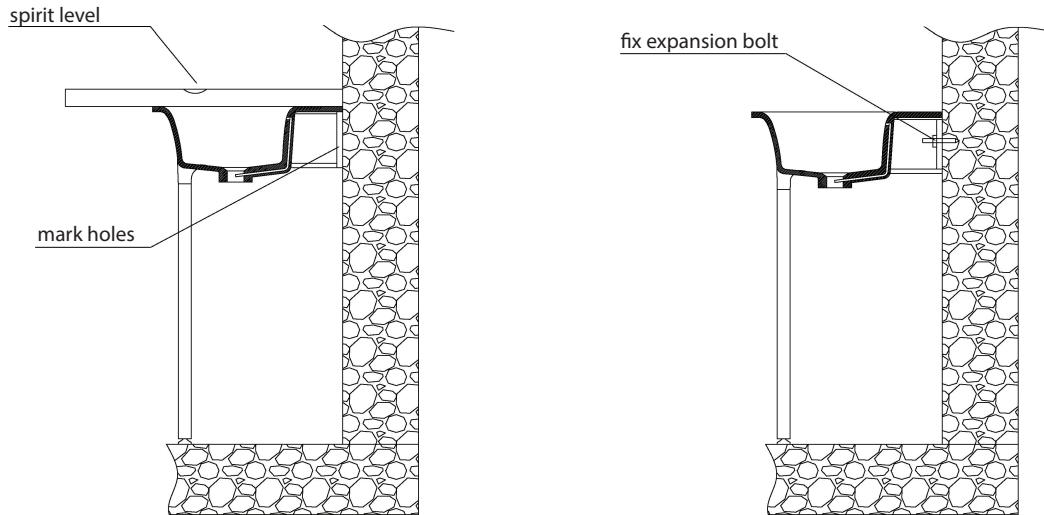
2. Install Legs

- Fix the metal legs onto the sleeves, fasten all screws.



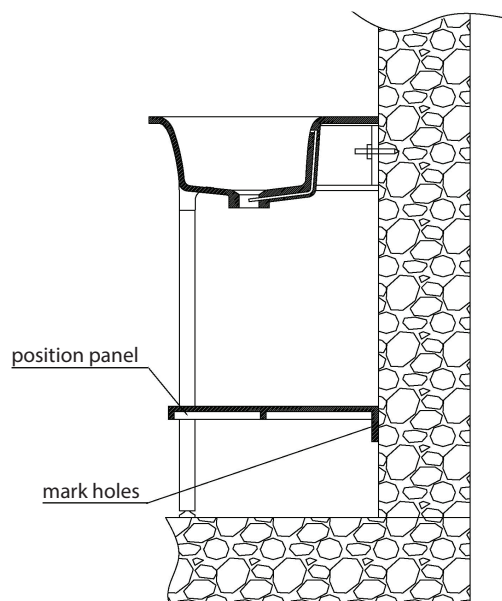
3. Install Console

- Flip over the sink carefully, and attach it to the wall, level the sink with a spirit level, mark the screw holes on the wall. Remove the sink. Drill the screw holes on the wall, insert the expansion bolt sleeve anchor, attach the whole sink on the wall again, fix it with expansion bolt on each moulded aprons underneath the sink.



4. Secure Shelf Panel

- Determine the fixing position of the panel by using the screws (do not fully fasten the screws). Mark the position using a marker pen or pencil; Remove the panel, drill the holes on the wall.



ONE YEAR LIMITED WARRANTY

Swiss Madison® products are made with quality materials and excellent craftsmanship to provide our customers with beautiful, durable, long-lasting products. Should there be any defects in materials or craftsmanship under regular use that are discovered within the first year of installation, Swiss Madison® will provide replacement parts at no charge, or at its discretion, replace any product or part of the product that is deemed defective, under normal installation, use, service or maintenance. This warranty applies only to the original purchaser. Proof of purchase will be required in the instance of a claim.

Swiss Madison® recommends all installations of Swiss Madison® products to be conducted by a licensed, professional plumber or contractor. Swiss Madison® will not be held responsible for any damage or product failure due to improper installation, misuse, or failure to utilize a licensed professional for installation. Swiss Madison® is not responsible for any installation or removal costs.

This One Year Limited Warranty Will Be Voided If:


- The installation recommendations were not followed by the installer
- The product has been moved from its initial place of installation
- The product has in any way been modified from its packaged state
- The product has been subjected to improper maintenance, abuse, misuse, excessive use of chemicals, accidents, or other damages, etc.

Swiss Madison® makes no implication that its products comply with any local building or plumbing codes. It is the consumer's responsibility and obligation to determine local code compliance prior to and during installation. This warranty extends only to the original purchaser and first consumer.

Swiss Madison® is not responsible for any special, incidental or consequential damages associated with the installation, replacement, return or use of the original purchaser's product. This includes, but is not limited to: freight costs, labor, travel time, lost profit, home damages and other contingent liabilities and costs (including, without limitation, costs associated with 'professionals' or 'experts', investigations, audits, analyses, attorneys and any other professional/hired services).

The Swiss Madison® warranty is a comprehensive and explicit limit of liability. All items not disclosed within the warranty are not addressable within the responsibility of Swiss Madison®. Certain states have variances regarding implied warranties; in those situations, we remain fully compliant.

**If you have any questions or concerns, please contact us directly at
1-434-MADISON (623-4766)**

 **WARNING:** Contents of your order may contain sharp and possibly other harmful pieces and may cause hazard to children and adults. Swiss Madison® is not responsible in any way for personal damages.

5. Secure to Wall

- Insert the expansion bolt sleeve into the wall; Trial fix the panel using the expansion bolt on the wall (do not fasten the bolts). Fasten the screws to fix the panel and the metal legs, then fasten the expansion bolts into the wall.

