

VP3636CS

36 x 36 x 76



PROFESSIONAL

FEATURES

- Durable high gloss finish
- Smooth, 4-piece kit
- Caulkless Installation
- Easy Wedge & Lock Installation
- Integral soap shelves
- Center drain
- Slip resistant, textured bottom
- Available in White only
- 15-year residential limited warranty

COMPONENTS OF KIT

Standard

- VP3636CPAN (Pan)
- VP3674CBW (Back Wall)
- VP2774CSW (Side Walls)

Aging in Place (AIP)

- - VP3636CPAN (Pan)
- - VP3674CBWA (Back Wall)
- - VP2774CSWA (Side Walls)

PACKAGED DIMENSIONS

- Pan: 37 1/2 x 37 1/2 x 8 1/2
- Back Wall: 76 1/4 x 37 3/4 x 10 1/2
- Side Wall Set: 76 1/4 x 30 1/2 x 5

VERITEK PRO

Lightweight and durable, Veritek Pro is produced with Swan Solid Surface, a proprietary SMC compound.

Veritek Pro is the better bathroom solution and is a snap to install!

Available in the Following Offerings:

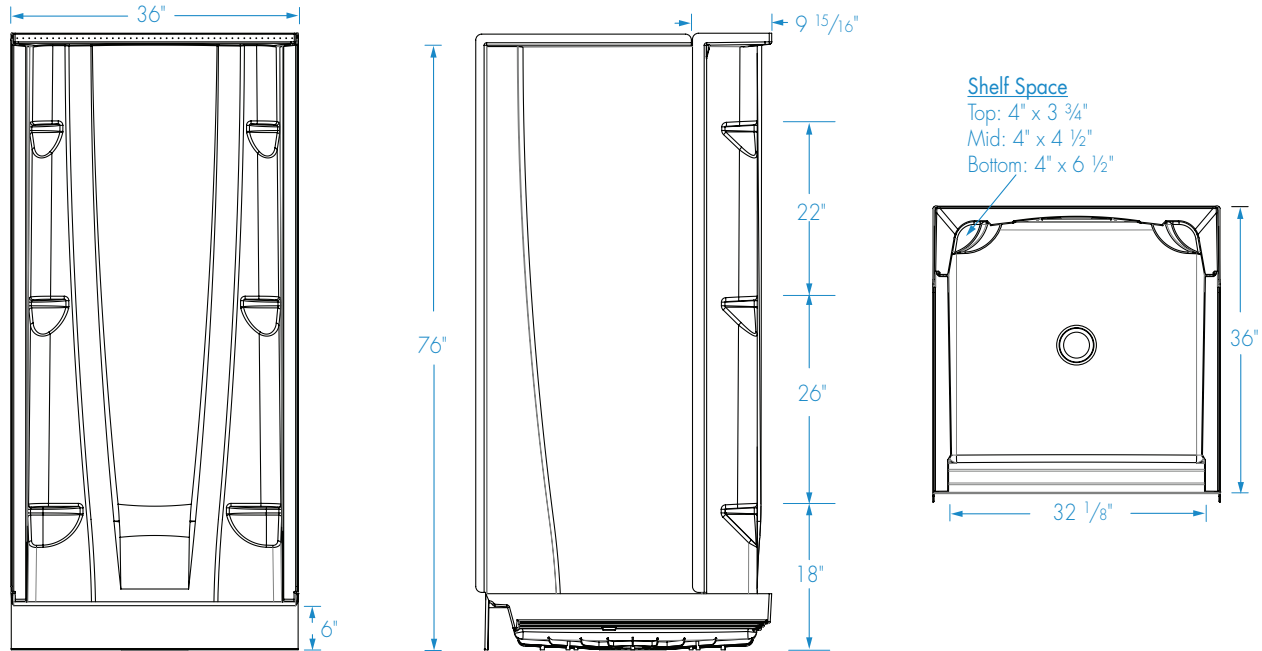
Depth	Width	Height Standard	Model Number	
			Standard	AIP
36	36	76	VP3636CS	VP3636CSA

- **Standard:** Base model shower, tub, or tub shower offering
- **Aging In Place (AIP):** Reinforced shower or tub shower walls that allows for future grab bar installation



VP3636CS

36 x 36 x 76 inches



FEATURES Dimensional Tolerance $\pm 3/8$ ". Dimensions needed for site preparation should be measured from the unit. Manufacturer assumes no responsibility for preparatory work.

Type	Model #	Material	Wall Finish	Pieces	Seat	Height	Drain	Net Wt. lbs	Pkg. Wt. lbs
Standard Shower	VP3636CS	Swan Solid Surface	Smooth	4	-	76	Center	109	124
AIP Shower	VP3636CSA	Swan Solid Surface	Smooth	4	-	76	Center	139	154

DIMENSIONS

Specifications	inches
Width: Overall / Net	36
Depth: Overall / Net	37 1/8 / 36
Height: Overall / Net	77 3/8 / 76
Enclosure Opening	32 1/8
Skirt Height	6
Drain Rough-In (from Back Wall)	17 1/2
Drain Rough-In (from Side Wall)	18
Drain: Diameter / Clearance	3 1/4 / 3/8

FRAMING DIMENSIONS inches

Type	D Depth	W Width	H Height	A	B	C
Alcove	37 1/8	36	-	Box Out	18	17 1/2

