

Features

- Antimicrobial finish inhibits the growth of mold-, mildew-, stain-, and odor-causing bacteria on the fixture surface. This product does not protect users against bacteria, viruses, or other disease organisms. Always clean and wash this product thoroughly before and after each use
- Ideal for healthcare and education installations
- Single faucet hole
- Oval basin
- Overflow drain
- Includes wall hanger
- Combination consists of the K-1997-SS1 basin and the K-1998-SS shroud

Material

- Vitreous china

Installation

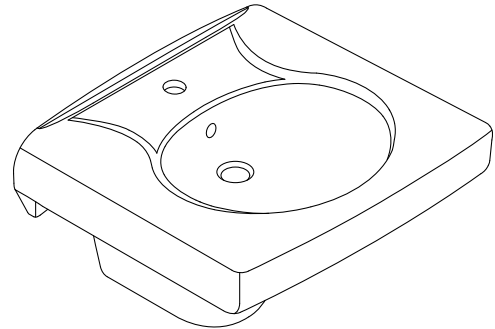
- Wall-mount
- Drilled for concealed arm carrier installation

Recommended Products/Accessories

- K-23726 Drain treatment
- K-23725 Cast iron cleaner

Optional Products/Accessories

- K-8998 P-Trap



ADA

CSA B651

OBC

Codes/Standards

ASME A112.19.2/CSA B45.1
ADA
ICC/ANSI A117.1
CSA B651
OBC

KOHLER® Vitreous China Bathroom Sink Lifetime Limited Warranty

See website for detailed warranty information.

Available Colors/Finishes

Color tiles intended for reference only.

Color Code Description

0 White

