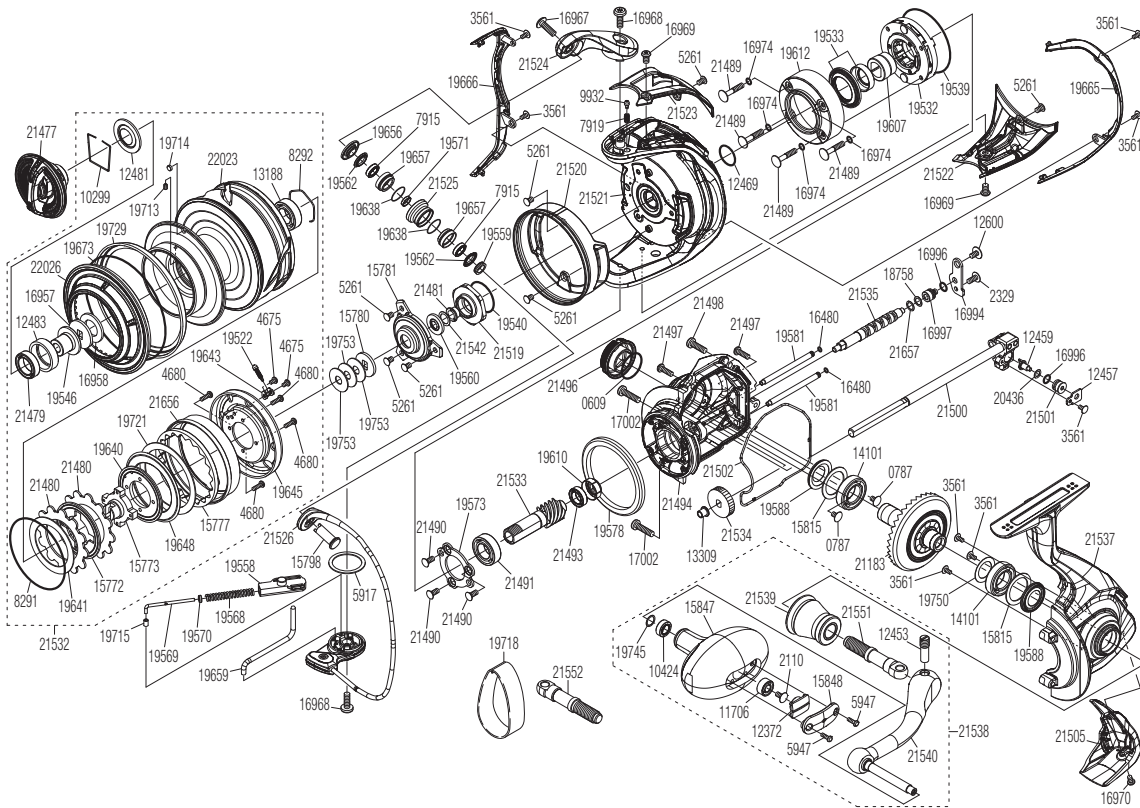


SHIMANO

TWIN POWER SA-RB

TP-SW14000XG



Please note that the number of adjusting washers may not always be the same as shown in the exploded views.

(51SF41U145X)

Please note that your actions take full responsibility when you take it apart.

#	Part No.	Description	#	Part No.	Description	#	Part No.	Description
0609	108WK	O Ring	16996	10TNF	O Ring	21477	10DSC	Drag Knob Assembly
0787	103L6	Screw	16997	106M6	Bushing	21479	10RJE	Ball Bearing
2110	103E9	Screw	17002	10PVQ	Screw	21480	10S4Z	Drag Washer B
2329	103KY	Screw	18758	10TK0	Washer	21481	10S4S	Spacer
3561	10MT4	Screw	19522	10E90	Drag Click Assembly	21489	10S4V	Screw
4675	10LV7	Screw	19532	10DUZ	Roller Clutch Assembly	21490	10MLD	Screw
4680	10LVM	Screw	19533	10DV8	Roller Clutch Waterproof Assembly	21491	10RJF	Ball Bearing
5261	103GX	Screw	19539	1014X	O Ring	21493	10RJC	Ball Bearing
5917	10HDP	Washer	19540	10163	O Ring	21494	1008H	Body
5947	103NH	Screw	19546	10152	Bearing Support	21496	1008C	Handle Screw Cap
7915	104W1	Ball Bearing	19558	10153	Bail Spring Guide B	21497	10172	Screw
7919	1077Q	Click Spring	19559	1014N	Collar	21498	10S50	Screw
8291	108WD	O Ring	19560	10DVG	Bearing Water Proof	21500	10TEU	Main Shaft Assembly
8292	10LWM	Bearing Retainer	19562	1016K	Line Roller Seal	21501	1004F	Oscillating Slider Bushing
9932	10CH7	Click Pin	19568	1015E	Bail Spring	21502	10S4R	Body Seal
10299	10B6K	Retainer	19569	1016J	Bail Spring Guide A	21505	1008L	Rear Protector
10424	105BN	Ball Bearing	19570	10DUU	Spring Guide A Support Collar	21519	10S4M	Rotor Nut
11706	10KX1	Ball Bearing	19571	1014P	Collar	21520	10S4U	Rotor Brim
12372	10B97	Handle Knob Seal	19573	10150	Bearing Retainer	21521	100UW	Rotor Assembly
12453	10PV0	Screw	19578	1014J	Friction Ring	21522	10S4X	Bail Hold Support Guard
12457	10H7R	Oscillating Pawl Cover	19581	10147	Oscillating Guide	21523	10S4Q	Bail Spring Cover
12459	106V5	Oscillating Pawl	19588	1015Q	Bearing Water Proof	21524	1004H	Bail Arm
12469	108WP	O Ring	19607	1014F	Roller Clutch Inner	21525	1004C	Line Roller
12481	10LQZ	Waterproof Sheet	19610	10169	Bushing	21526	10TET	Bail Assembly
12483	10LWS	Bearing Bushing	19612	10148	Clutch Water Proof Cover	21532	10DT4	Spool Assembly
12600	103LD	Screw	19638	1015S	O Ring	21533	10S4P	Pinion Gear
13188	10BGD	Ball Bearing	19640	10T7T	Drag Disk B	21534	10S4T	Idle Gear
13309	106E8	Bushing	19641	1016A	Drag Washer C	21535	1004J	Worm Shaft
14101	104PW	Ball Bearing	19643	1017R	Spring Holder	21537	10TF3	Side Cover Assembly
15772	10B58	Drag Disk A	19645	1014B	Heat Sink	21538	10DT2	Handle Assembly
15773	10LTY	Bearing Bushing	19648	10RC9	Spool Bearing Water Proof	21539	10TF5	Handle Shaft Cover Assembly
15777	109ZQ	Drag Click Ratchet	19656	10161	Line Roller Plate	21540	10TF6	Handle Shank Assembly
15780	103MW	Spool Support	19657	1015A	Bushing	21542	10RZ7	Washer
15781	10K30	Retainer	19659	1016D	Bail Trip Lever	21551	10RFY	Handle Shaft
15798	10Q3F	Line Roller Support	19665	1010U	Rotor Guard A	21656	100LX	Drag Cover
15815	10BGG	Washer	19666	1010X	Rotor Guard B	21657	10E6K	Washer
15847	102KE	Handle Knob	19673	1015W	O Ring	22023	10TU0	Spool Shell
15848	108T1	Handle Knob ID Plate	19713	10PVL	Set Screw	22026	1004D	Collar
16480	10JAB	O Ring	19714	10EAG	Spool Ring Pin			
16957	10BCD	Key Washer	19715	10R2F	Bail Spring Guide A Bush			
16958	10349	Drag Washer A	19721	100WL	Drag Plate Washer			
16967	10PVR	Screw	19729	1015V	Spool Ring			
16968	10PSH	Screw	19745	104FH	Washer			
16969	10PSE	Screw	19750	101DP	Washer			
16970	10PRX	Screw	19753	101DJ	Spool Washer			
16974	10LAD	O Ring	20436	100CW	Washer	19718	109UW	Belt (M) (accessory)
16994	10ATG	Worm Shaft Retainer	21183	10ECV	Drive Gear Assembly	21552	10RFH	Handle Shaft (Right) (accessory)