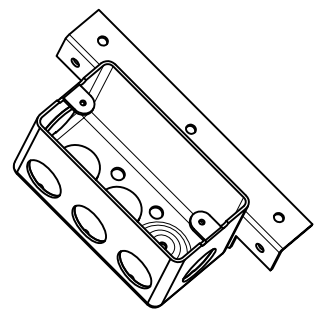
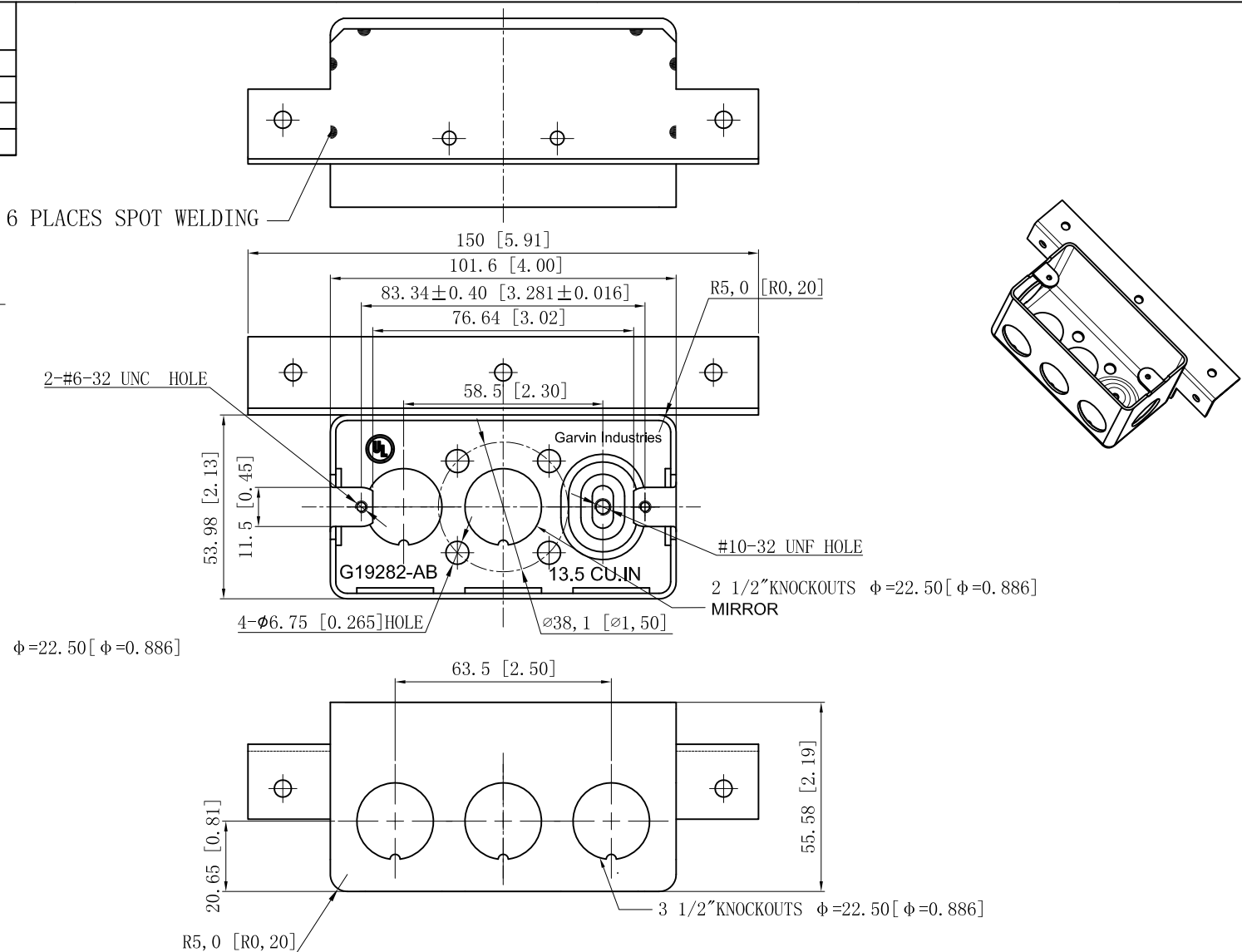


<b>SIDES</b>	<b>BOTTOM</b>
5 1/2" KNOCKOUTS	2 1/2" KNOCKOUTS
	1 Ground Hump
Material: Steel-0.0625"-G60 Galvanized	



<b>DESCRIPTION</b>
<b>TRADE REFERENCE TERMS</b>

This data sheet is for reference only .GARVIN INDUSTRIES reserves the right to make changes to the design without prior notice.

<b>STANDARD PACKING</b>	<b>GARVIN INDUSTRIES</b>		
	TITLE <b>HANDY UTILITY BOXES &amp; EXTENSION RINGS</b>		
25 PCS	SIZE	DWG NO.	REV
	A4	G19282-AB	A
DATA SHEET			