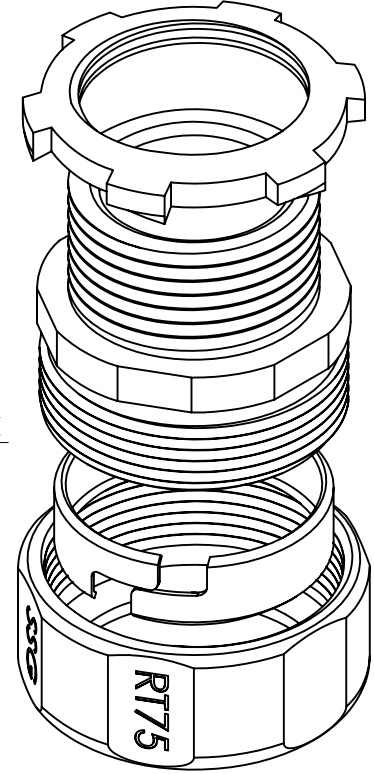
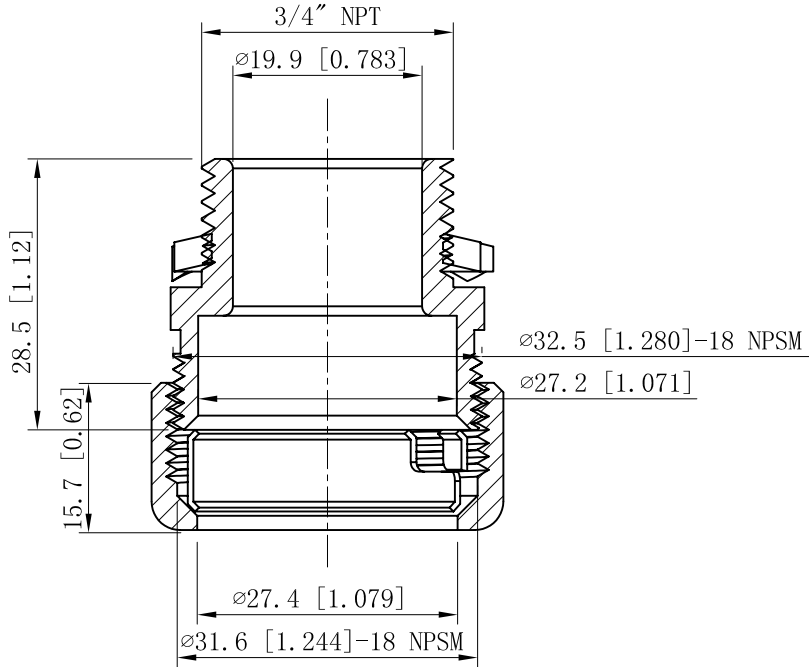
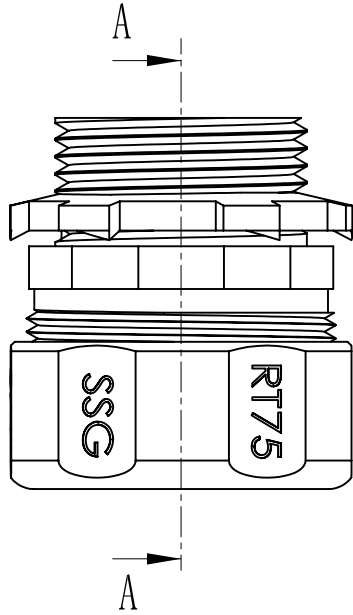


SIDES	BOTTOM
Material:C1018 Seamless steel tube	



CUTAWAY VIEW A-A

DESCRIPTION
TRADE REFERENCE TERMS

This data sheet is for reference only .GARVIN INDUSTRIES reserves the right to make changes to the design without prior notice.

STANDARD PACKING	<h1 style="text-align: center;">GARVIN INDUSTRIES</h1> <h2 style="text-align: center;">NO-THREAD CONNECTOR & COUPLINGS</h2>						
25 PCS							
	<table border="1" style="width: 100%;"> <tr> <td>SIZE</td> <td>DWG NO.</td> <td>REV</td> </tr> <tr> <td>A4</td> <td>RT75</td> <td>A</td> </tr> </table>	SIZE	DWG NO.	REV	A4	RT75	A
SIZE	DWG NO.	REV					
A4	RT75	A					
	DATA SHEET						