

88 5001 004 Buffet

IMPORTANT NOTE

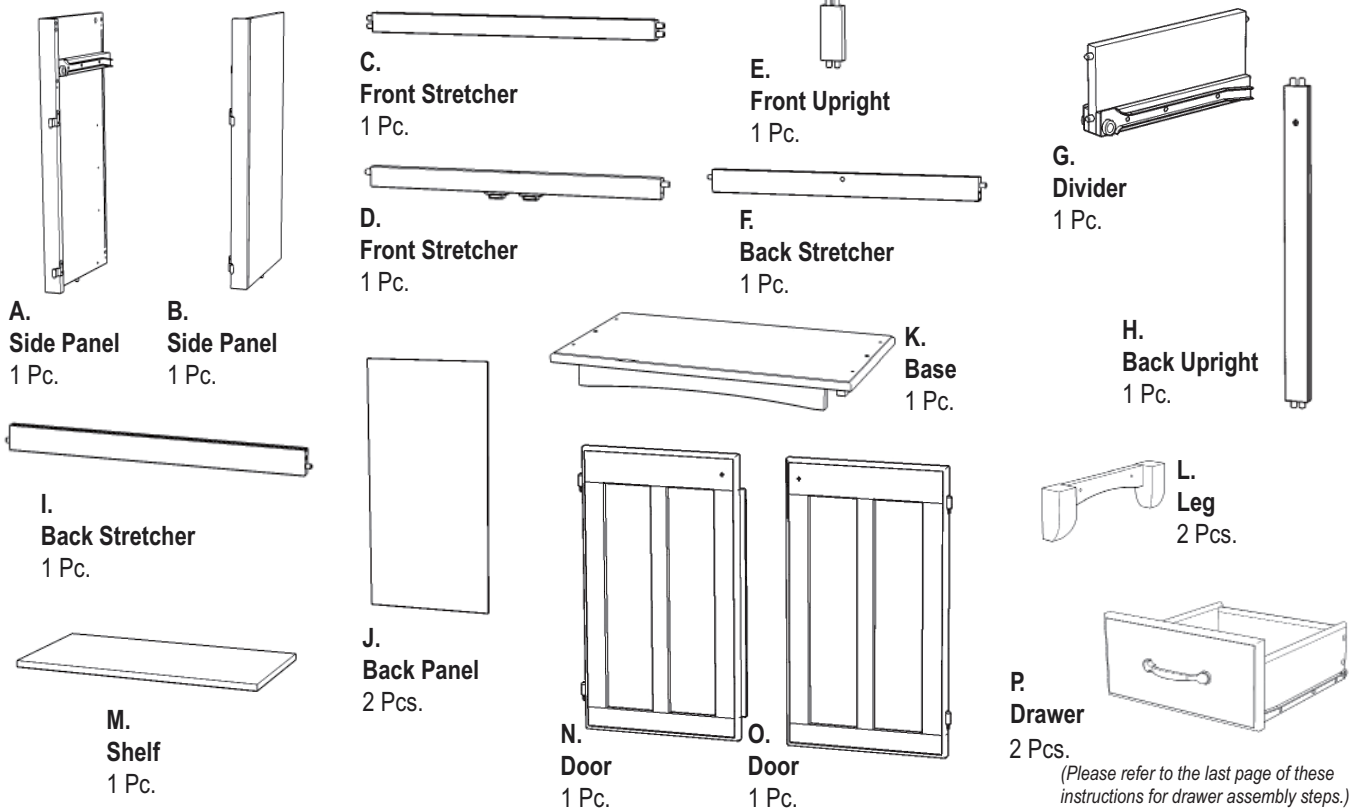
Carefully remove all the parts from the carton and put them individually on a soft cloth to prevent scratches or other damage occurring to the parts.

We have taken great care in the design of this product and request that you carefully and strictly follow our assembly instructions to ensure a completed product as it was designed.

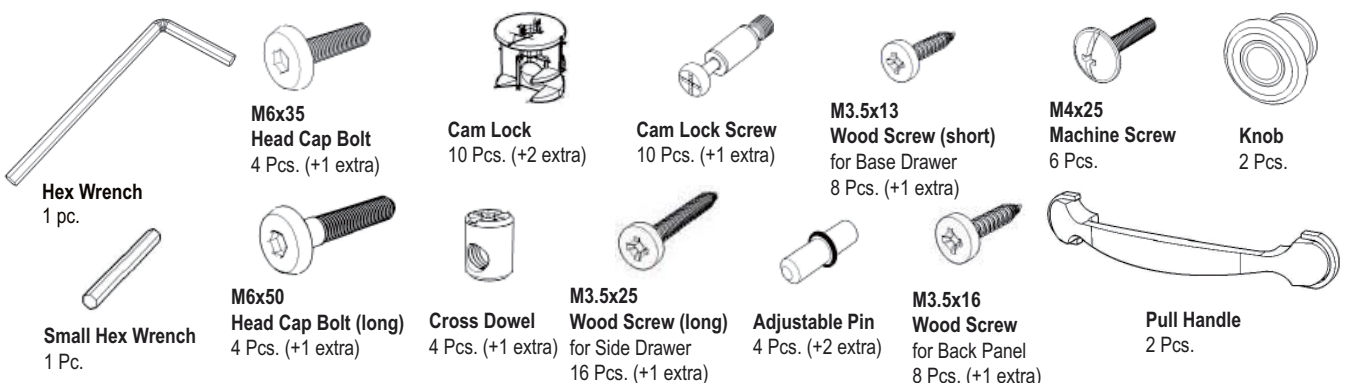
*Home
Styles*



Part List



Hardware List

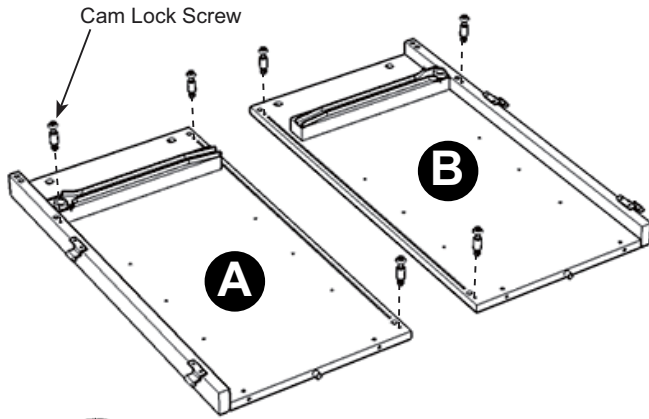


Tools required for assembly : Phillips screwdriver, Drill, 3/8" Drill Bit, Level

Home Styles Consumer Assistance : www.homestyles-furniture.com,
servicedesk@homestyles-furniture.com, 888-680-7460, 877-831-0319

IMPORTANT

- * Please keep Hex Wrench in a safe place as you may need to tighten up the Head Cap Bolts in the future.
- * Do not tighten up all the bolts until each part is properly assembled.
- * Use a soft cloth between these parts and the floor.
- * After assembly, item must be level to work properly. Use the included adjustable levelers to level.



STEP 1

Insert Cam Lock Screws into pre-drilled holes of Side Panels (A) and (B) and then tighten. (See Figure 1)

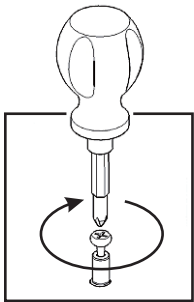


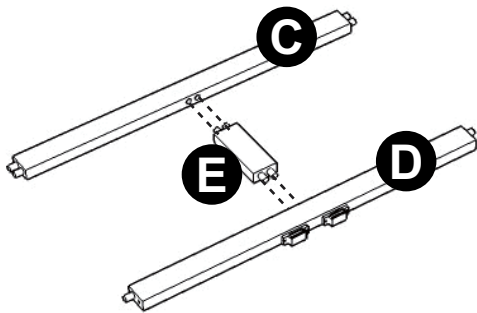
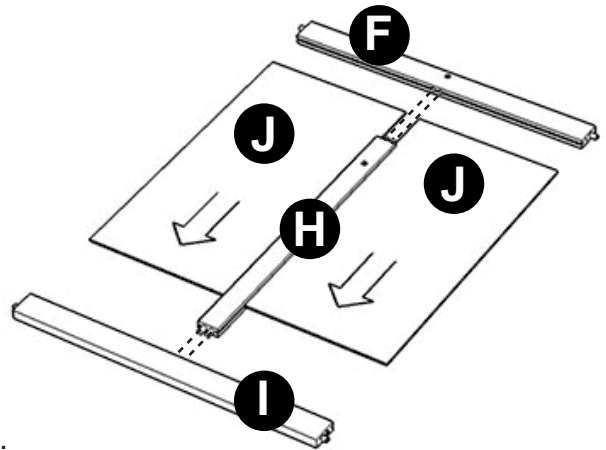
Figure 1

STEP 2

Attach Back Upright (H) to Back Stretcher (I).

Slide Back Panels (J) into place.

Attach Back Stretcher (F) to Back Upright (H).



STEP 3

Attach Front Stretchers (C) and (D) to Front Upright (E).

STEP 4

Attach Divider (G) to unit from Step 2.

Attach unit from Step 3 to unit.

Attach Side Panels (A) and (B) to unit with Cam Locks. (See Figure 2)

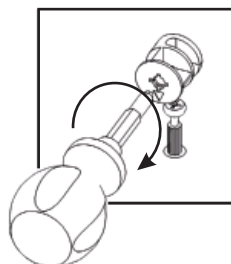
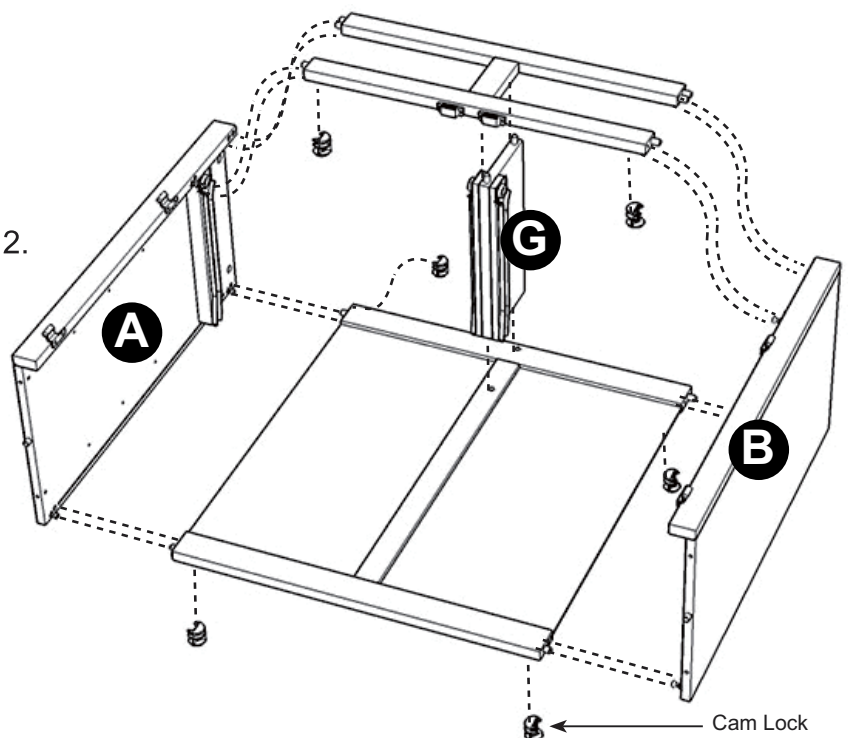
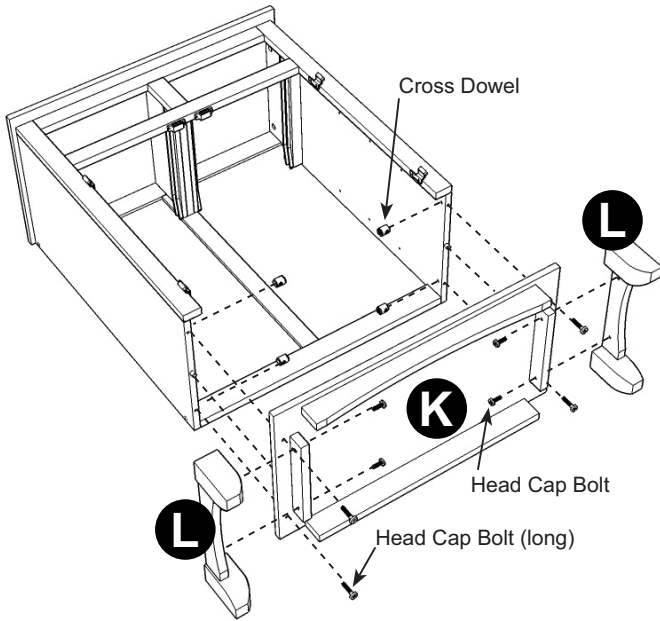


Figure 2





STEP 5

Attach Base (K) to unit with Cross Dowels and Head Cap Bolts (long).

Attach Legs (L) to Base (K) with Head Cap Bolts. (See Figure 3)

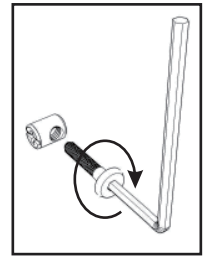
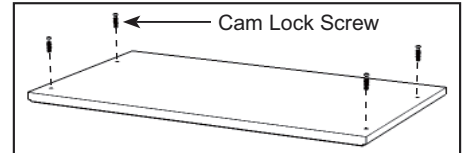


Figure 3



STEP 6

Insert Cam Lock Screws into the pre-drilled holes of Top.

STEP 7

Turn the unit to its' upright position.

Attach Top to unit with Cam Locks.

Insert Adjustable Pins into side panels at the desired level.

Place Shelf (M) into position.

Attach Knobs to Door (N) and (O) with Machine Screws. (See Figure 4)

Attach Door (N) and (O) to side panels by sliding the door lift hinges into the side panel lift hinges. (See Figure 5)

To level the unit, adjust the adjustable levelers on the bottom of unit (See figure 6)

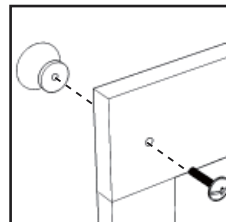
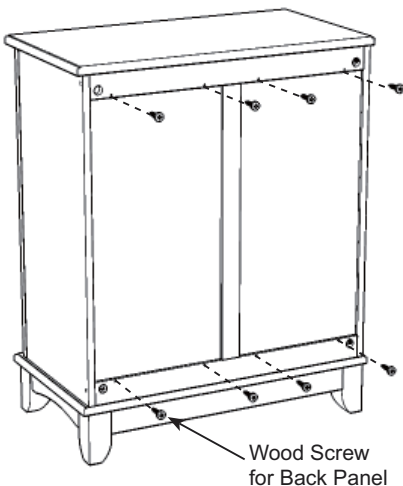
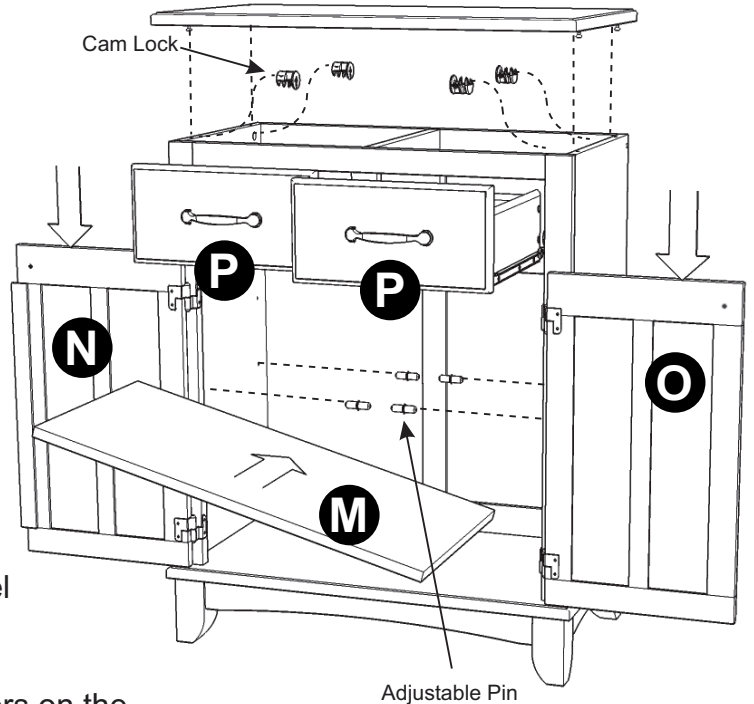


Figure 4

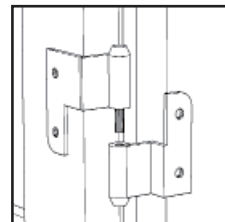


Figure 5

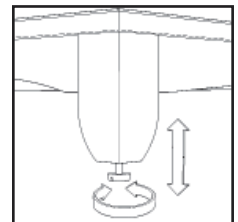


Figure 6

STEP 8

Insert 8X Wood Screws for back panel into pre-drilled holes of back panel.

Note : Please make sure unit is level before tightening these screws.

Attention!

To help reduce the risk of the unit tipping over, the Tipover Restraint must be installed following these instructions exactly!

Place unit at desired location.

Drill a 3/8" hole in wall at the appropriate location.

Insert Anchor into the wall hole and attach Bracket with Wall Screw.

Attach Bracket at pre-drilled hole at top of unit with Wood Screw.

Use Tipover Restraint to secure Bracket on unit to Bracket on wall.
(See Figure X)

Put tie end of Tipover Restraint into loop end of Tipover Restraint and pull until tight.

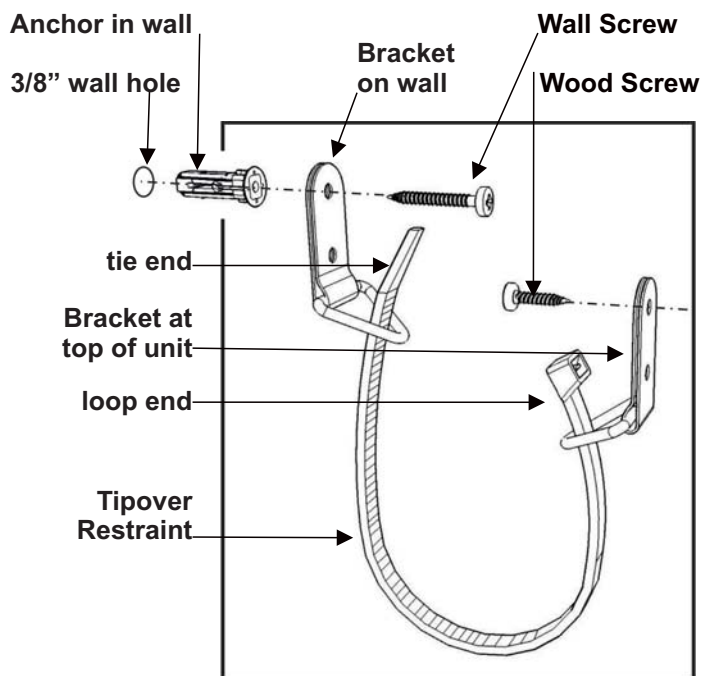
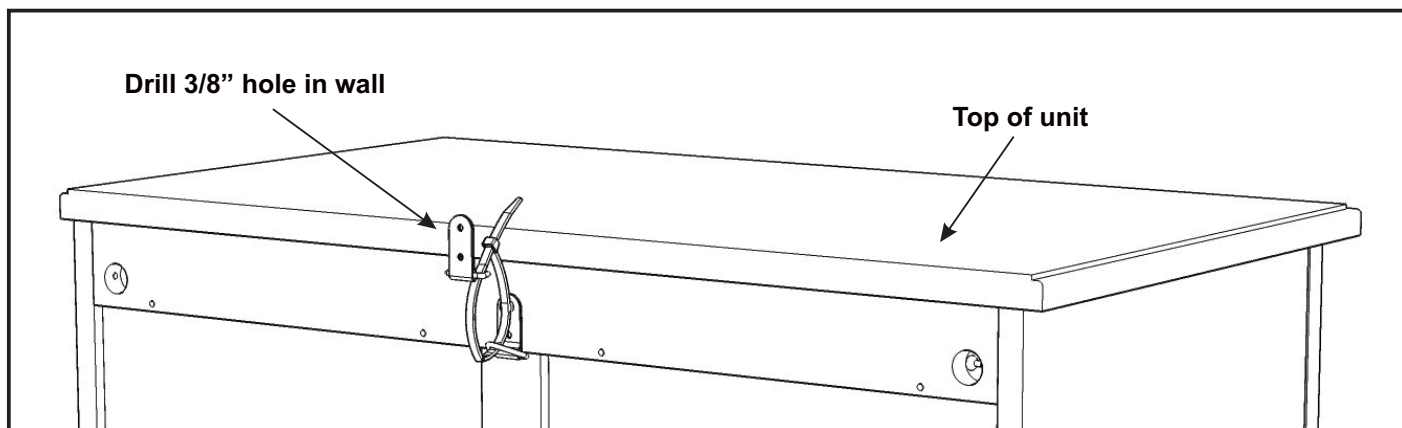
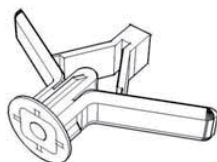


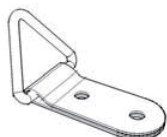
Figure X



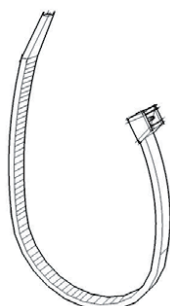
Hardware List



Anchor
1 pc.(+1 extra)



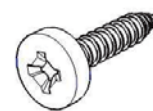
Bracket
2 pcs.(+1 extra)



Tipover Restraint
1 pc.(+1 extra)



**M3.5x40
Wall Screw**
1 pc.(+1 extra)



**M3.5x13
Wood Screw**
1 pc.(+1 extra)

Drawer

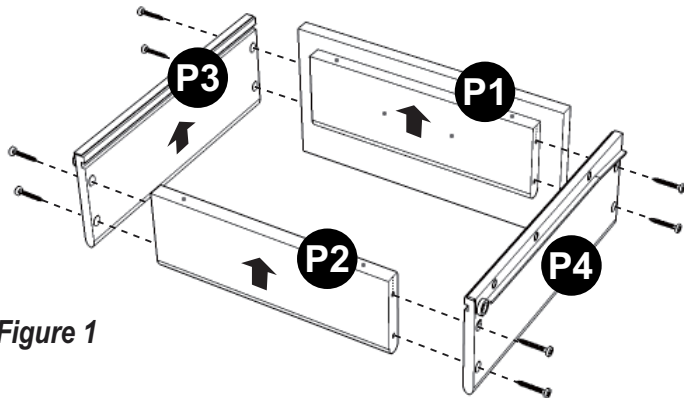
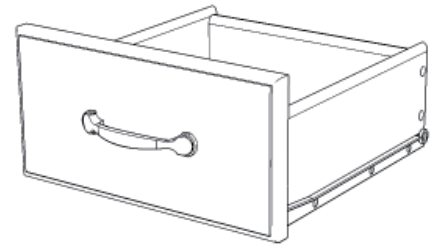


Figure 1

STEP 1

Attach P1, P3 and P4 using a Phillips screwdriver and long Wood Screws (4X), tighten halfway.

Attach P2 to P3 and P4 using long Wood Screws (4X), tighten halfway. (See Figure 1)

STEP 2

Slide P5 into grooves in P3 and P4. Be sure to push P5 all the way forward so it meets P1. (See Figure 2)

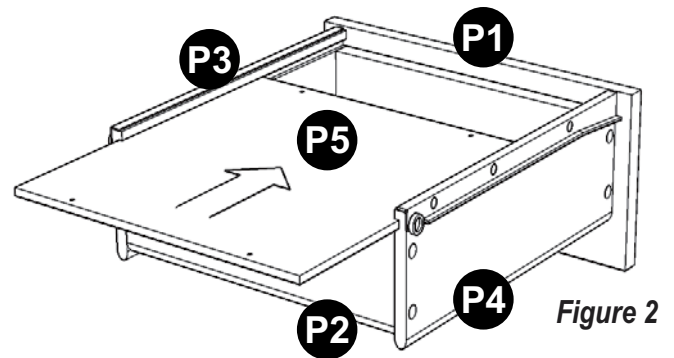


Figure 2

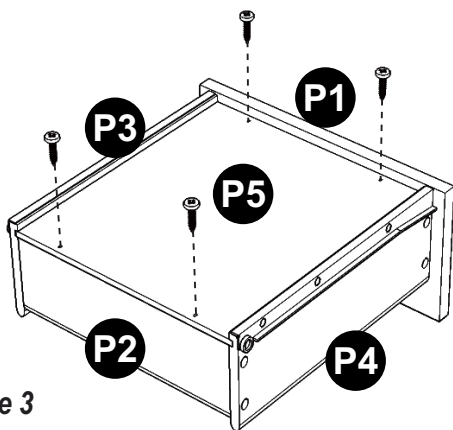


Figure 3

STEP 3

Insert short Wood Screws (4X) into pre-drilled holes in P5, tighten screws. (See Figure 3)

STEP 4

Attach Pull Handle with Machine Screws. (See Figure 4)

Tighten all screws used in drawer assembly.

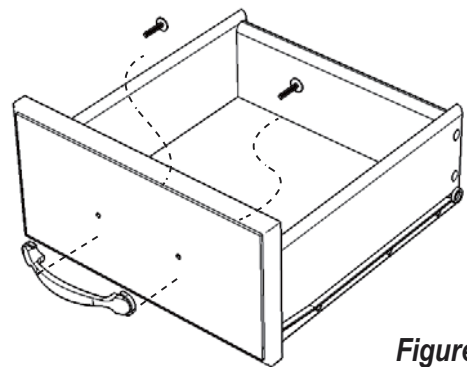
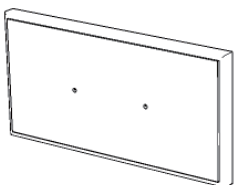
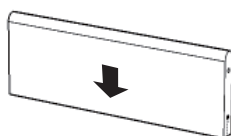


Figure 4

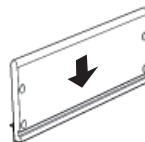
Part List



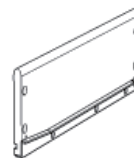
P1.
Front Part
2 Pcs.



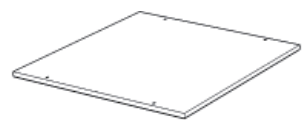
P2.
Back Part
2 Pcs.



P3.
Side Part
2 Pcs.



P4.
Side Part
2 Pcs.



P5.
Base Part
2 Pcs.