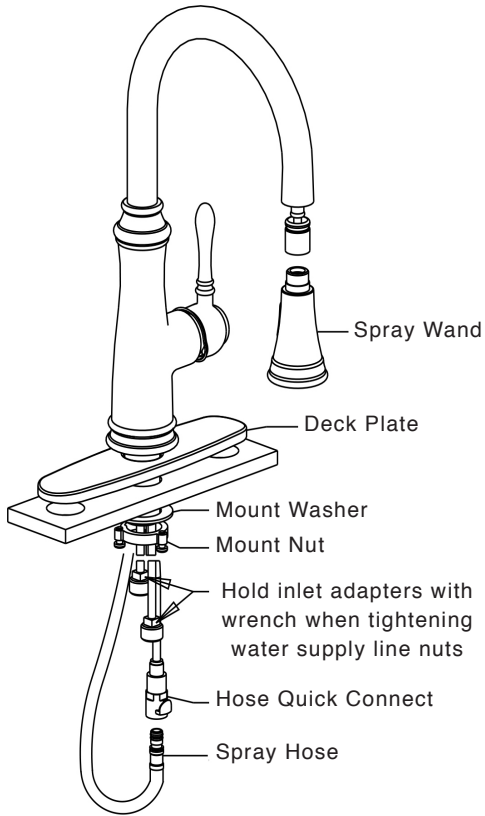


81501 - Chrome
81502 - Brushed Nickel
81503 - Oil Rub Bronze


INSTALLATION INSTRUCTIONS:

1. Assemble optional deck plate to faucet for three hole sink installations. Optional deck plate is not required for single hole sink installations
2. Position faucet on sink
3. From underside of sink, assemble "Mount Washer & Nut"
4. Assemble "Braided Spray Hose" to "Hose Quick Connect" **CAUTION:** Make sure hose is properly engaged and secure in faucet hose quick connect
5. Assemble hose weight to spray hose if desired. (Hose weight is optional and not required)
6. Assemble water supply lines to faucet **CAUTION:** Use wrench or pliers to hold faucet inlet adapters when tightening supply line nuts to prevent twisting copper tubing or damaging solder joints
7. Remove spray wand from faucet and flush water through faucet to remove any line trash
8. Assemble spray wand and run water through faucet while checking for leaks at all connections

PRODUCT SPECS AND STANDARDS:

DESCRIPTION:

- Brass body with copper supplies
- Brass supply connection adapters with 1/2" IPS threads
- One (1-3/8" min to 1-5/8" max DIA.) Hole

OPERATION:

- Requires less than 5LB force to operate valve
- Flow adjustment: 90° turn from full hot to full cold
- 1.8 GPM (6.8 L/min) Aerator

CARTRIDGE:

- 35mm ceramic disc with hot limit adj. ring

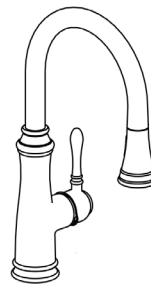
STANDARDS:

- IAPMO/UPC Certified:
- ASME A112.18.1-2012/CSA B 125.1-12
- NSF/ANSI 61-2012
- NSF/ANSI 372-2011 (Lead Free)
- Watersense approved
- ADA Compliant

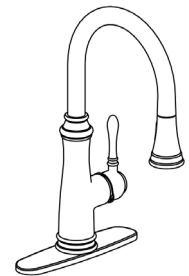
WARRANTY:

- 100 Year drip-free warranty
- Product to be free of defects in material or workmanship

Single Hole Installation



Three Hole Installation





WOLVERINEBRASS

Quality Plumbing Products Since 1896

Timeless™

Pull Down Kitchen Faucet

CLEANING INSTRUCTIONS

Use only a clean, soft cloth, water, and mild hand soap to clean unit.

WARNING: Do NOT use abrasive cleaners, chemicals, or abrasive cleaning pads to clean fixture. A very hard protective coating has been applied to this product to maintain it's appearance, but this product could be damaged with improper cleaning. Failure to follow cleaning instructions will void product warranty.

PRODUCT WARRANTY

Wolverine Brass faucets have been manufactured to our high quality standards and workmanship. **The warranty covers defects in materials and/or workmanship to the original purchaser/home owner (warranty is not transferable to another person).** The faucet is warranted to remain drip-free during normal use. All parts and finishes will be free from manufacturing defects. With the exception of items listed below, this product has a limited warranty against defects in materials or workmanship for a period of 1 year from the date of purchase. The warranty is voided if the product is found to be misused or the following cleaning instructions were not followed. Damage due to accidents or installation is not warranted.

1. Faucet valve cartridges have a limited warranty for a period of 100 years from the date of purchase. This date is stamped on the valve cartridge
2. Product finish has a limited warranty for a period of 100 years from the date of purchase. Failure to follow the cleaning instructions listed below voids all finish warranty. Damage due to accidents or installation is not warranted.

This warranty covers replacement of cartridges, parts and finish only. It does not include labor charges and/or damage incurred during installation.

Wolverine Brass will provide free of charge all parts and cartridges found to be covered under the warranty; any part that proves defective in material and/or workmanship under normal installation, use and service. Finish warranty is not covered if finish is exposed to extreme use of cleaners containing abrasives and alcohol, extreme cleaning, extreme chemical use, or any damage due to abuse or neglect (Oil Rubbed Bronze finish is warranted for 1 year).

**Please see cleaning instructions provided with each faucet. This warranty excludes all industrial, commercial, and business usage of faucets and only pertains to single dwelling residential use. Faucets used for other than single dwelling residential use are covered by a 1-year limited warranty from the date of purchase.

CALIFORNIA PROP. 65

WARNING: Plumber, California law requires that this warning be given to the customer. Under federal guidelines set forth by the Safe Drinking Water Act, the U.S. Environmental Protection Agency enforces limits on the amount of lead used in brass and solder for plumbing products. This faucet, along with any other brass components of a water system (e.g. other faucets, water meters), as well as lead based solder joints can contribute detectable amounts of lead to water that is allowed to stand in them for prolonged duration. To reduce the exposure to lead from any brass faucet we suggest that you: **ALWAYS RUN WATER FOR A FEW SECONDS TO CLEAR THE STANDING WATER IN YOUR FAUCET. ALSO, WASH HANDS AFTER INSTALLATION, REPAIR, OR REMOVAL OF THIS PRODUCT.**

WARNING: THIS FAUCET CONTAINS LEAD, A CHEMICAL KNOWN TO CAUSE BIRTH DEFECTS OR OTHER REPRODUCTIVE HARM. Should you wish to have your water tested, there are many private laboratories certified by the U.S. E.P.A. or your state E.P.A. that can do such testing.

