

## DS-M7508HNI Series Mobile NVR



### Introduction:

Adopting embedded Linux operating system, Hikvision DS-M7508HNI series dedicated Mobile NVR (Digital Video Recorder) provides powerful monitoring functionalities, including audio and video encoding & decoding, 3G & Wi-Fi (optional) wireless network transmission, satellite positioning service, secure data storage, hard disk vibration damping. It can both work alone as a recorder and cooperate with other devices to build a comprehensive surveillance system.

Thanks to the features of high stability, easy-to-carry and low power consumption, the DS-M7508HNI series Mobile NVR is widely applied to the surveillance projects of public transportations, school buses, etc.

### Available Models:

DS-M7508HNI series



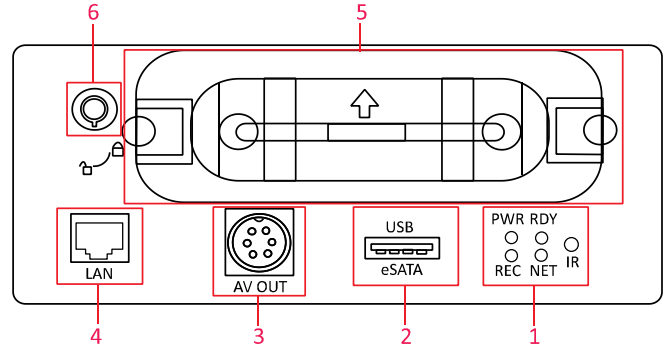
The 3G dialing function is only supported by the “/GW” devices.

### Main Features:

- User-friendly GUI providing easy and flexible operations
- Pluggable 3G (WCDMA) module providing flexible data transmission solutions
- pluggable GPS (Global Positioning System) module precisely positioning the vehicle via the satellite and recording the location information in the video stream
- Hikvision private protocol (4000 protocol) and ONVIF supported
- 8 independent network interfaces connectable to 8 IP cameras; each channel supporting up to 1080P resolution with H.264 encoding technology
- 3-ch CVBS video outputs and 3-ch audio outputs
- 1-ch VGA video output at up to 1920×1080 resolution
- Two pluggable 2.5-inch HDDs / SSDs, adopting hard disk vibration damping technology
- Information collection interfaces collecting driving information such as left/right turn, braking, backing up, etc.
- Hard disk box with USB interface supporting intelligent temperature control and data export
- Specialized aviation connectors ensuring signal stability
- Built-in G-sensor detecting and recording acceleration speed information in 3-axial (X, Y, Z) directions
- Delay (0~6h) shutdown and 24-hour scheduled startup/shutdown
- Wide-range power input (+8VDC ~+36 VDC)
- Power-off protection avoiding key data from loss
- Aluminum die-cast chassis with no fan design well adaptable to working environment
- Software-based firewall supported

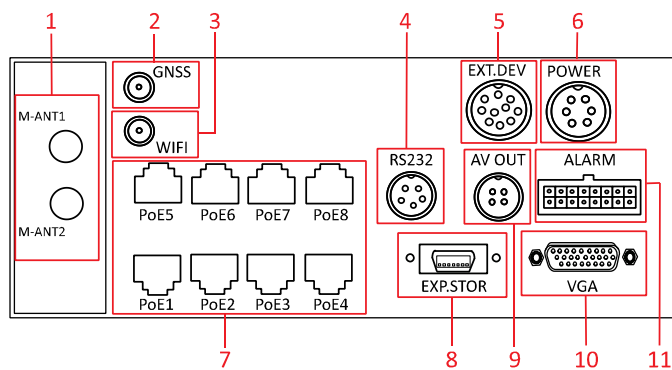
### Physical Interfaces:

#### Front Panel



Index	Name	Description
1	Indicators	<b>IR: IR Receiver</b> Receive IR signal from remote control.
		<b>PWR: Power indicator</b> Light in green after device startup; light in red when device standby.
		<b>RDY: Ready indicator</b> Light in green after device starts up properly.
		<b>REC: Record indicator</b> Light in green in recording; light off when all recording channels are abnormal.
		<b>NET: Network indicator</b> Light in green when network connection is normal.
2	AV OUT	6-pin aviation plug for audio & video output; providing DC12V power supply.
3	USB / eSATA	USB interface, eSATA interface
4	LAN	10M/100M/1000M self-adaptive Ethernet interface
5	Hard disk lock	Lock/Unlock the hard disk box.
6	Hard disk box	Insert two 2.5-inch SATA HDDs / SSDs for data storage.

## Rear Panel



Index	Name	Description
1	<b>M-ANT1;</b> <b>M-ANT2</b>	3G antenna interfaces (M-ANT2, reserved)
2	<b>GNSS</b>	GNSS antenna interface
3	<b>Wi-Fi</b> (optional)	Wi-Fi antenna interface
4	<b>RS232</b>	RS-232 interface, 5-pin aviation plug
5	<b>EXT.DEV</b>	RS-422 communication interface, 10-pin aviation plug
6	<b>POWER</b>	6-pin aviation plug for power supply and start control
7	<b>PoE1-POE8</b>	PoE interfaces connectable to IP cameras, providing the power supply
8	<b>EXP.STOR</b> (reserved)	Connectable to external storage device
9	<b>AV OUT</b>	4-pin aviation plug for audio & video output; providing DC12V power supply.
10	<b>VGA</b>	VGA interface
11	<b>ALARM</b>	Alarm input / output interfaces



- Part function is optional. For details, see the actual device model.
- Pin definition of aviation plugs is for reference only. For details, see the tag on the corresponding component.

## Specifications

Model		DS-M7508HNI series
Video/Audio input	Analog video input	None
	IP video input	8-ch, PoE supported
	Two-way audio	1-ch, G.722
	Incoming bandwidth	160Mbps
Video/Audio output	Recording resolution	1080P / 720P
	VGA output	1-ch
		Resolution: 1920×1080 / 60Hz, 1280×1024 / 60Hz, 1280×720 / 60Hz, 1024×768 / 60Hz
	CVBS output	3-ch
		Aviation plug (1.0 Vp-p, 75 Ω); resolution: PAL: 704 × 576, NTSC: 704 × 480
Audio output	3-ch	
	Aviation plug (linear level, 600 Ω)	
Decoding	Live view	8-ch
	Synchronous playback	1-ch
Hard disk	Type	Two 2.5-inch SATA HDDs / SSDs, external storage expansion supported (reserved) Note: If two HDDs / SSDs are installed, the disk size should be of 7mm.
	Capacity	Up to 2*1TB capacity supported
	Installation	Pluggable
	Protection	3-generation hard disk box
	Backup	Hard disk box, USB interface and eSATA interface supporting data backup
Wireless Network	Dialing	3G (WCDMA), dual SIM card mode reserved
	Wi-Fi (optional)	802.11 b/g/n supported, 2.4GHz
Positioning	GNSS	GPS
External interface	Alarm in	7-ch high/low level signal input; 1-ch pulse signal input; 3mm connector
	Alarm out	2-ch; 3mm connector
	Network interface	1; RJ45; 10M/100M/1000M self-adaptive Ethernet interface
	PoE	8; RJ45
	Antenna interface	SMA interfaces: two for 3G (one for reserved), one for Wi-Fi (optional) and one for GPS
	Serial interface	RS-232, RS-422, aviation plug
	eSATA interface	1
	USB interface	1 × USB2.0
	EXP.STOR	Connectable to external HDD for storage expansion (reserved)
	SIM card	2, standard SIM card slots (one for reserved)
General	Operating system	Linux
	Operating method	IR remote control
	Power supply	Input: +8~ +36VDC; Output: 12VDC/2A, 5VDC/1A
	Consumption	Standby: Max. 0.5W; Full load: Max.20W (without IP camera or hard disk)
	Working temperature	-10 ℃ ~ +55 ℃ (14 ℉ ~ 131 ℉)
	Working humidity	10%~90%
	Dimensions (W×D×H)	245.8mm×202mm×86.87mm
	Weight	Aprox.3.3kg (without hard disk)