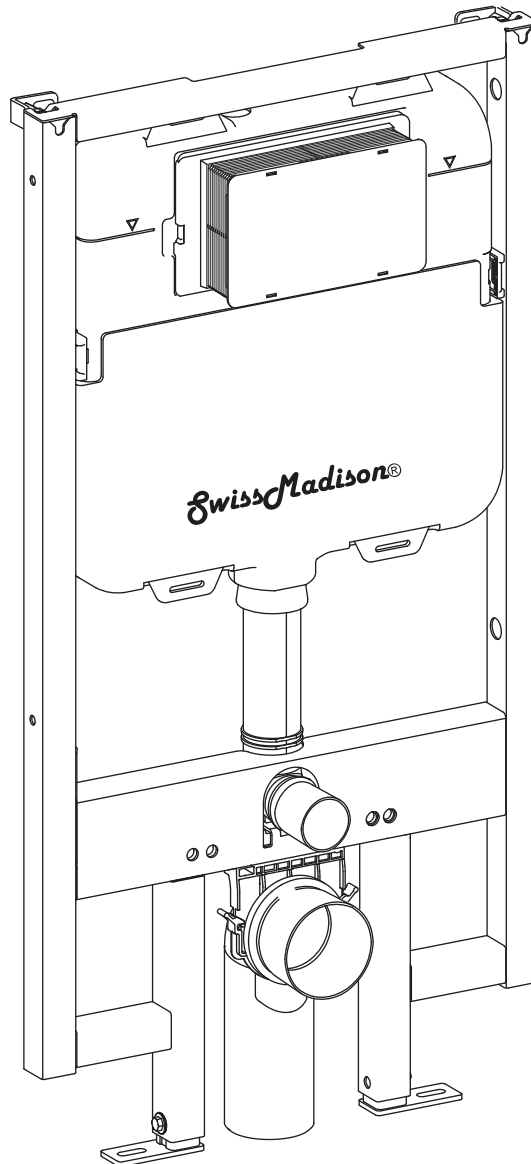


Wall-Hung Carrier System INSTALLATION INSTRUCTIONS

Swiss Madison
well made forever

Residential Concealed In-Wall Toilet Tank Carrier System for Wall-Hung Toilet

SM-WC424



@SwissMadison
#WellMadeForever



**PRIOR TO INSTALLATION:**

- Inspect carrier to ensure no damages have occurred while in shipping.
- Observe all plumbing and building codes in accordance with your state and local requirements.
- All dimensions are nominal! Be sure to measure your toilet prior to installation.
- The step-by-step guidelines in the installation instructions are a general reference. Should there be any discrepancies, Swiss Madison cannot be held liable. It is recommended to install all Swiss Madison products by hiring a licensed professional.
- Read installation and maintenance instructions thoroughly before installing. Be sure to use proper tools and always wear proper personal safety accessories for your protection.
- Be sure to properly bleed all air from the piping system, trapped air can cause damage to the flushing system and toilet bowl.
- Avoid outside wall installations to avoid possible freezing.

If you have any questions or concerns please contact us:

1-434-623-4766

info@swissmadison.com

SUGGESTED TOOLS & MATERIALS:

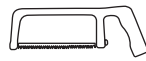
Safety Glasses



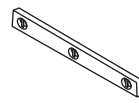
Plumbers Grease



Wrench



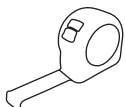
Hacksaw



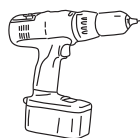
Level



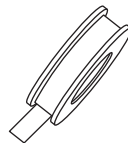
Flat File



Tape Measure



Drill



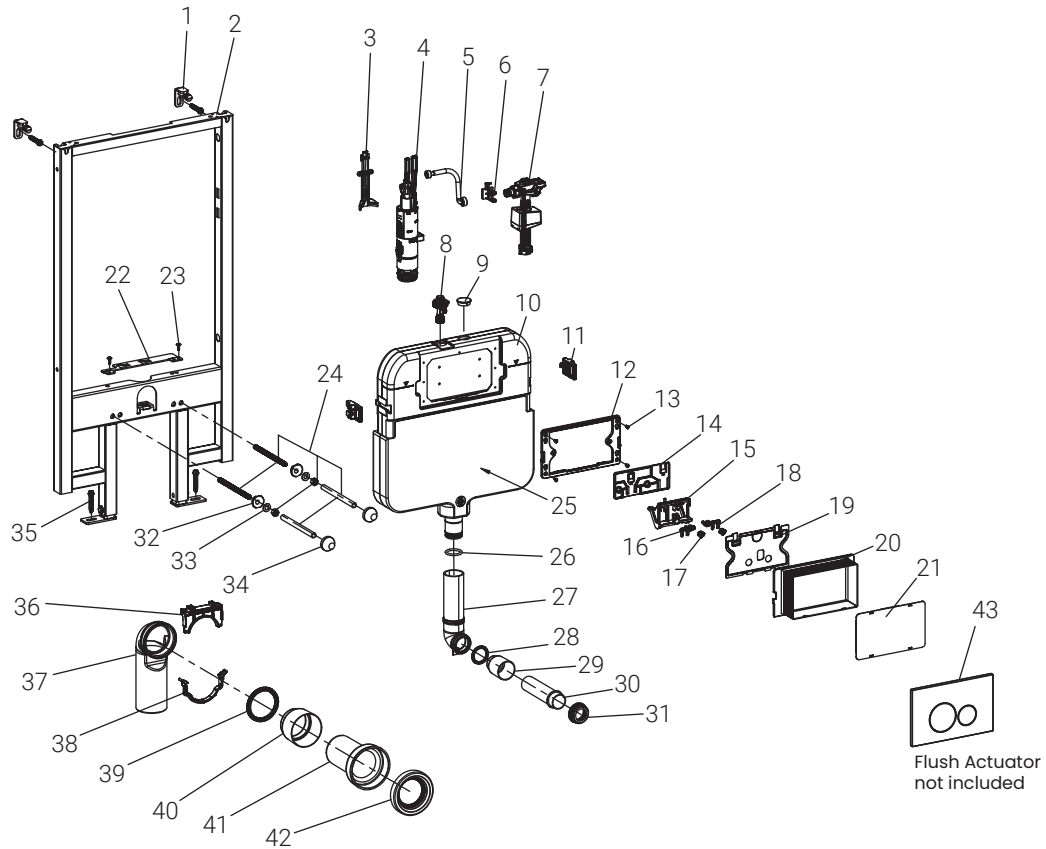
Plumbers Tape



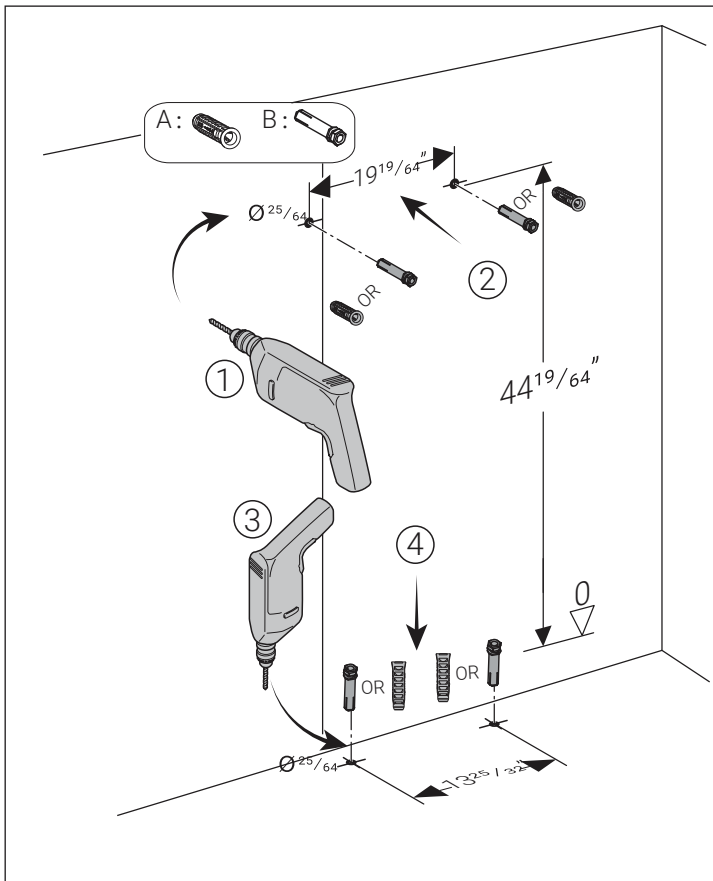
Scissors



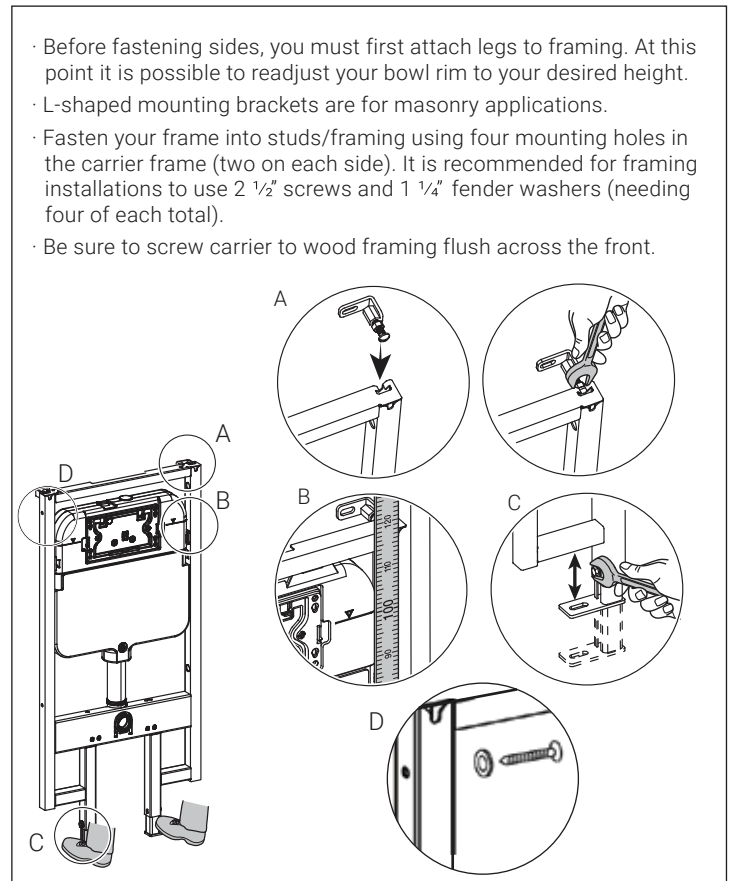
Coupler
not included



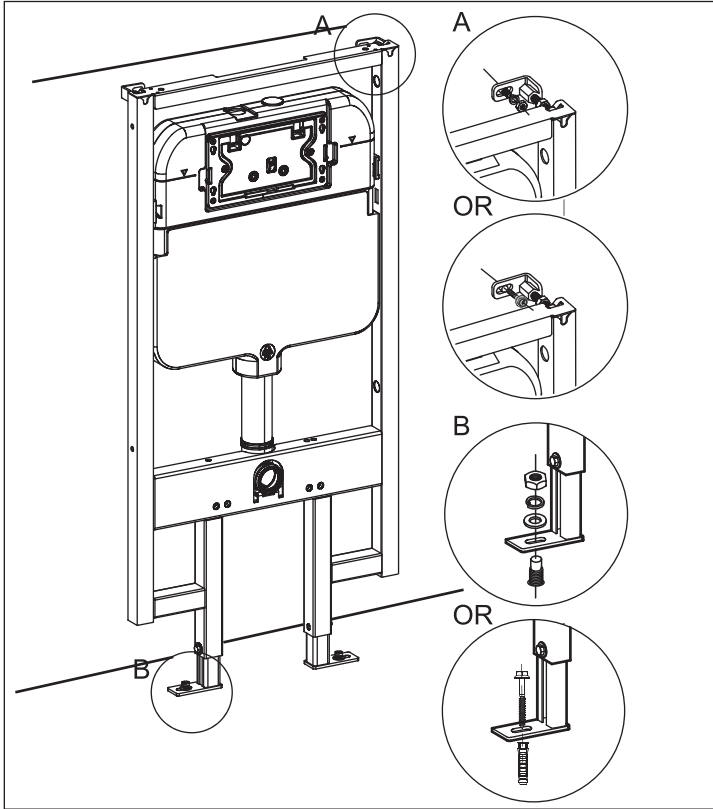
1.



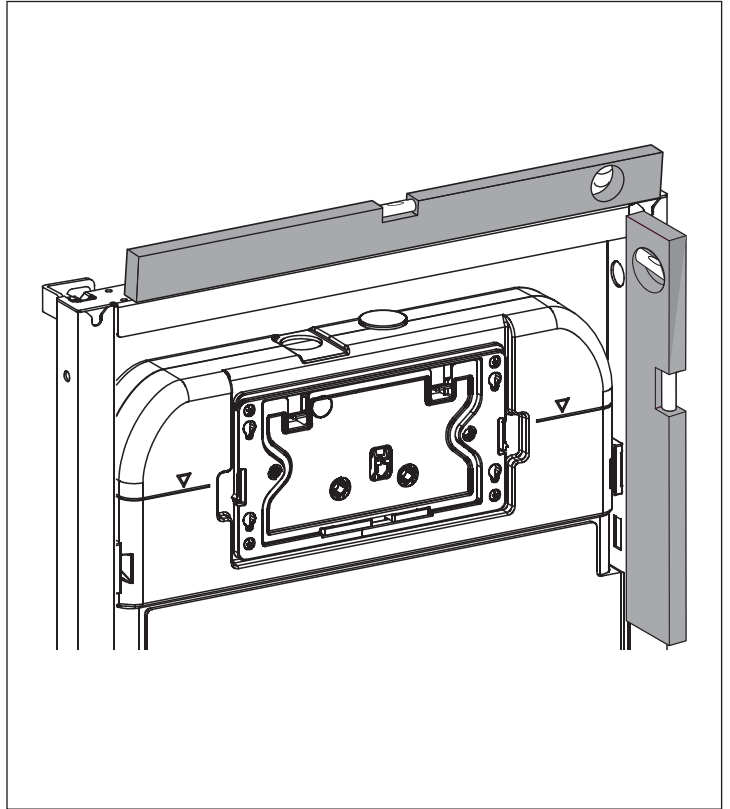
2.



3.



4.



5.

0° 1 49/64"

-45°~0°~45° 3 35/64"

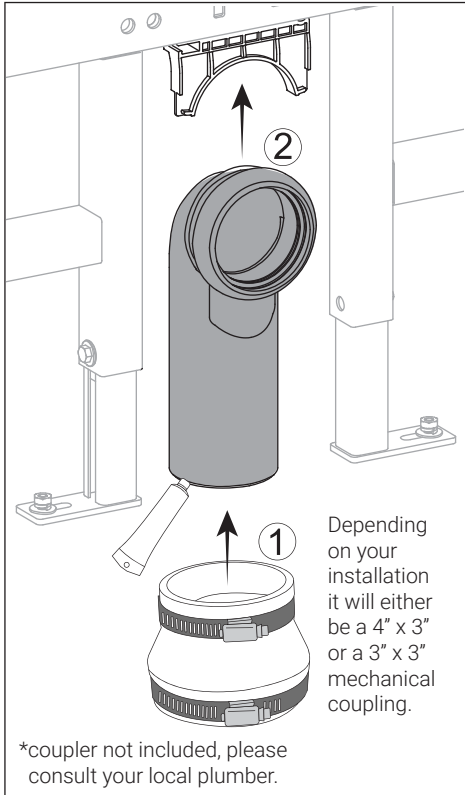
· When connecting to a 3" sewer line it is advised to drill a 3 5/8" hole before connecting the discharge pipe to the frame.

· It is possible to offset the discharge pipe left or right. If offsetting is required, you must move the top bracket holding the discharge pipe to the back holes in the frame. This allows you to miss the carrier frame when connecting the necessary plumbing.

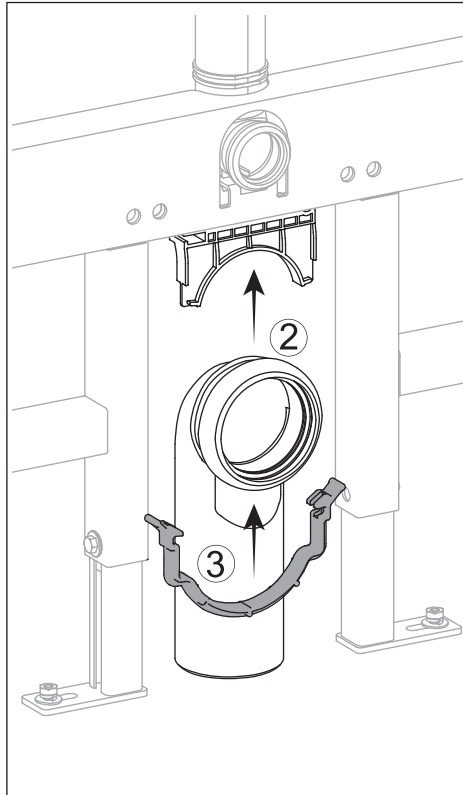
· For a vertical discharge, leave bracket as shown above.

· Use this mounting position for an offset installation.

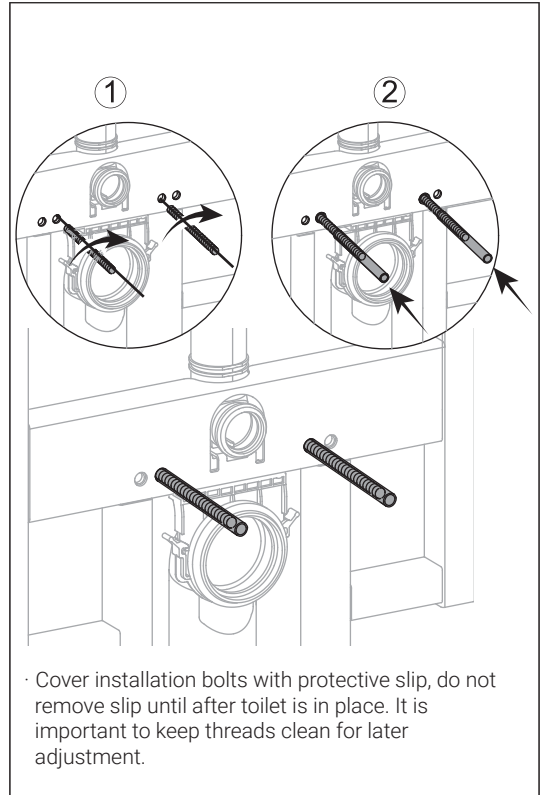
6.



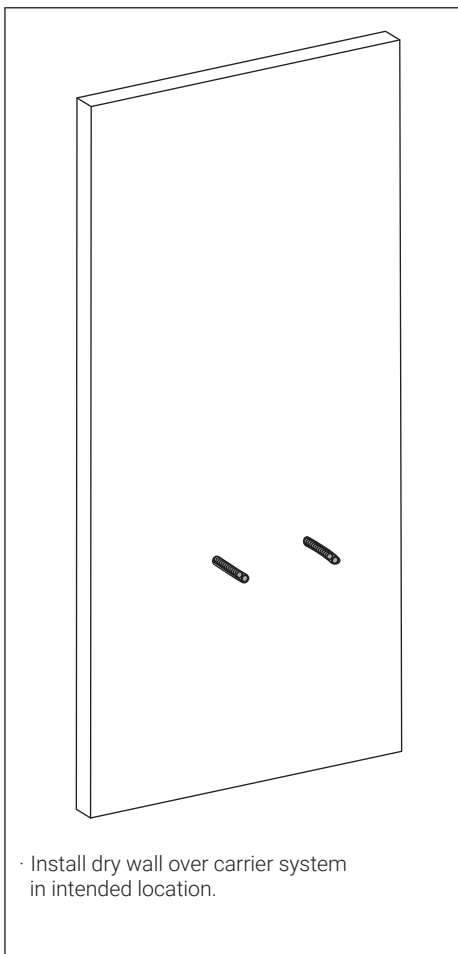
7.



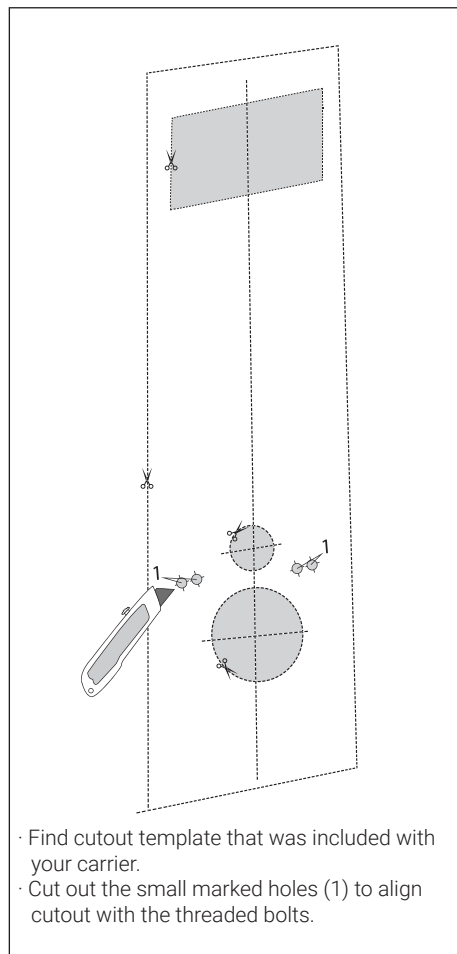
8.



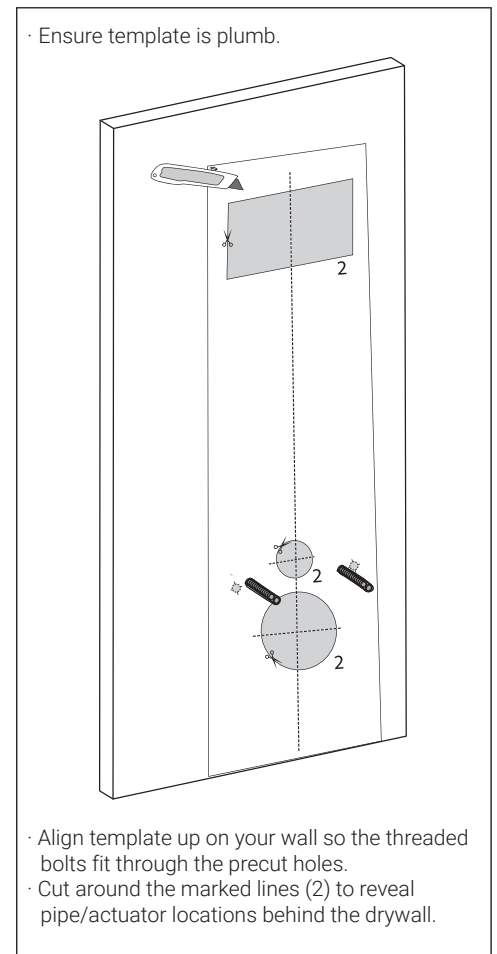
9.



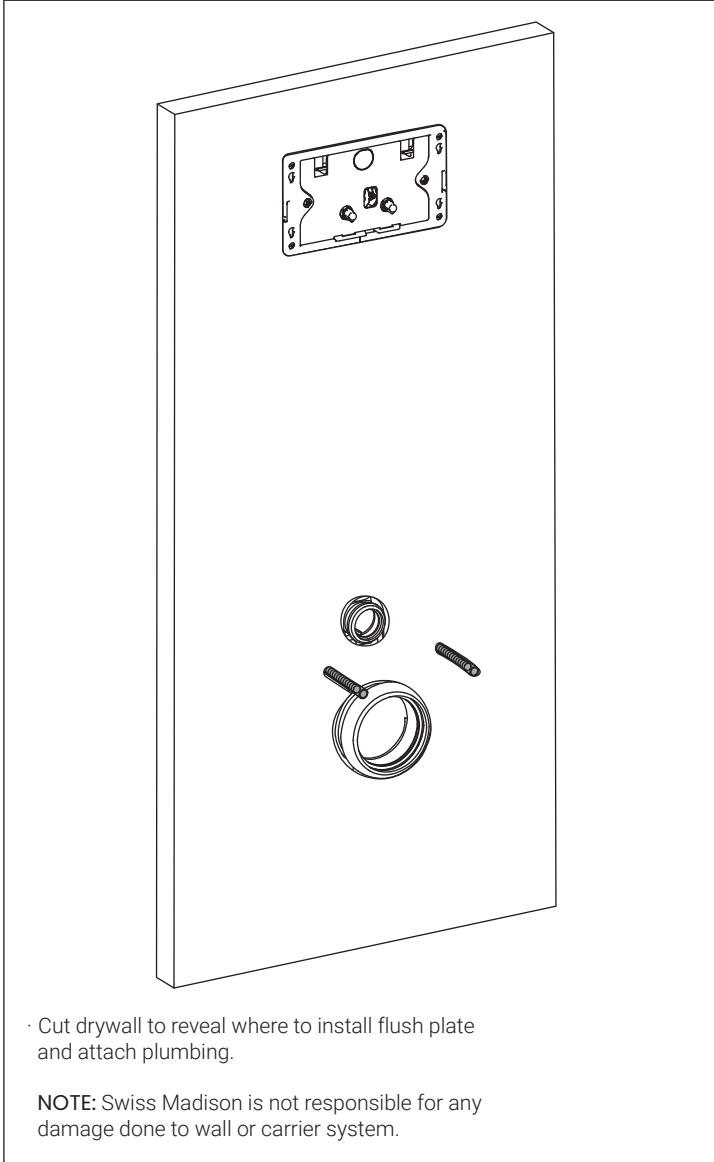
10.



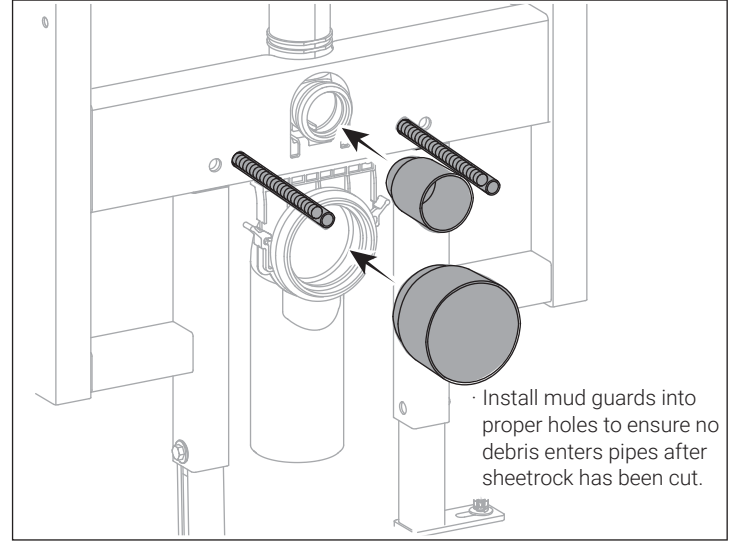
11.



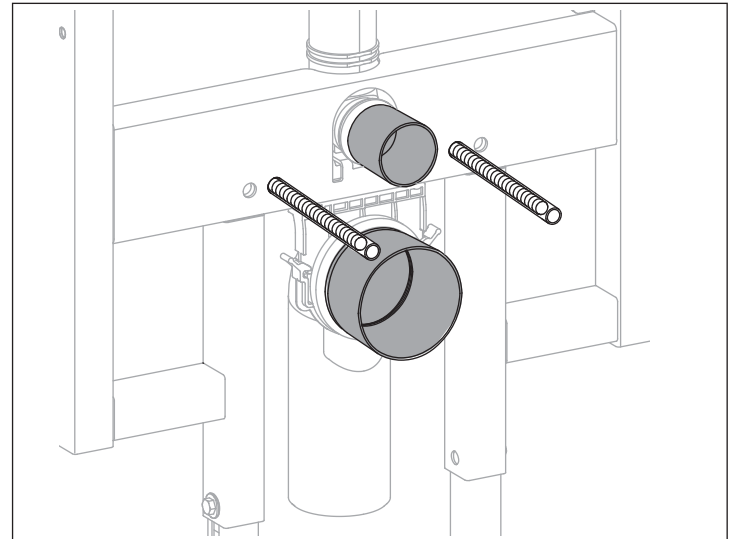
12.



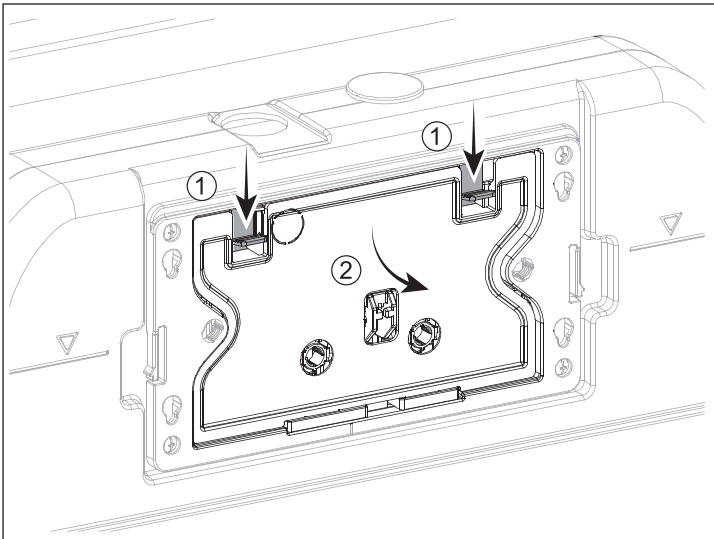
13.



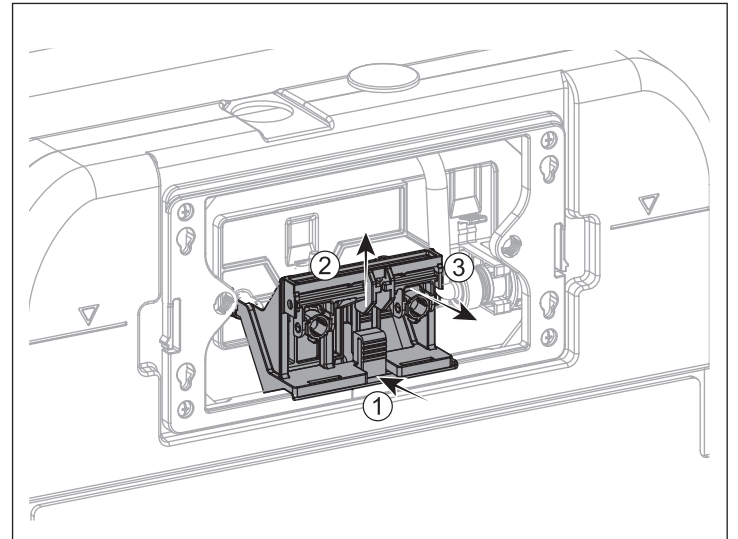
14.



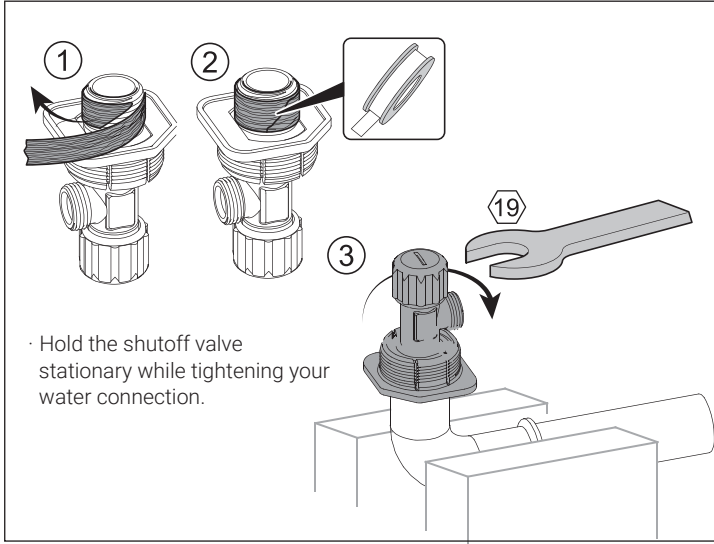
15.



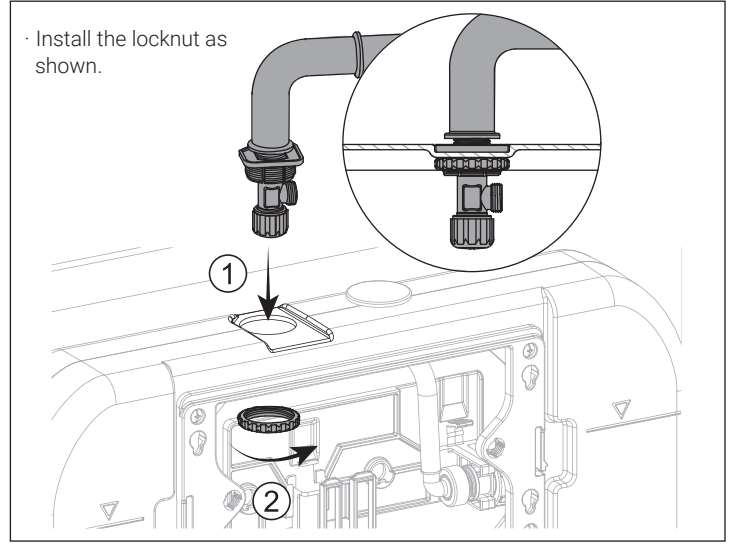
16.



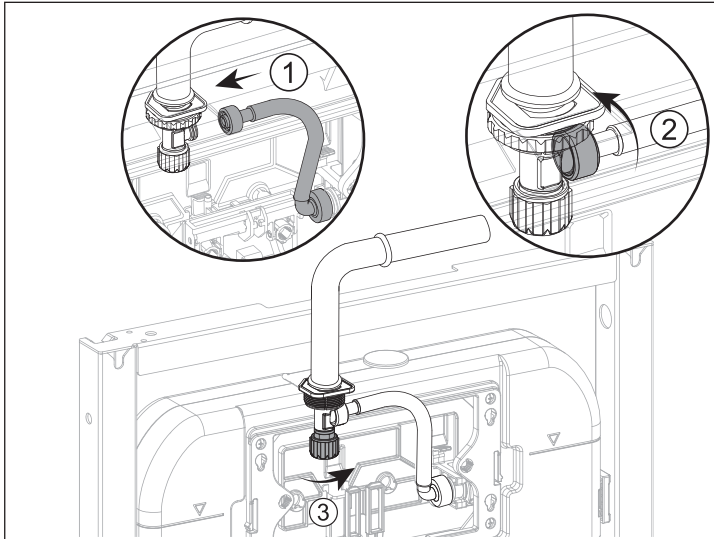
17.



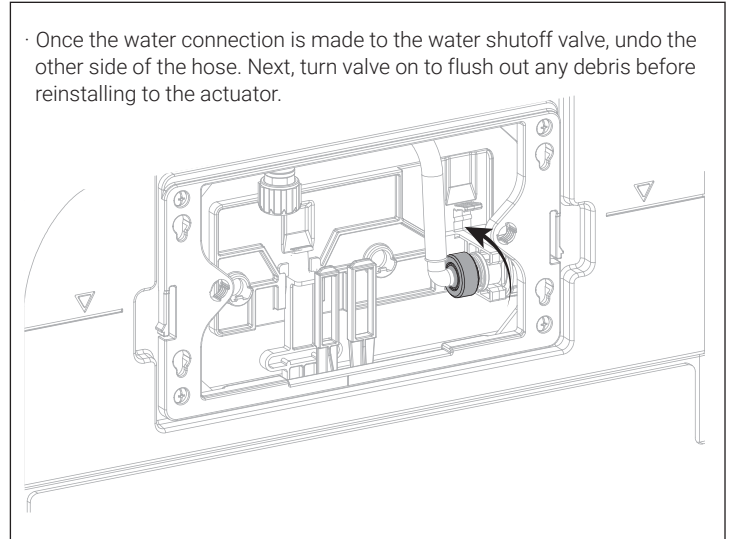
18.



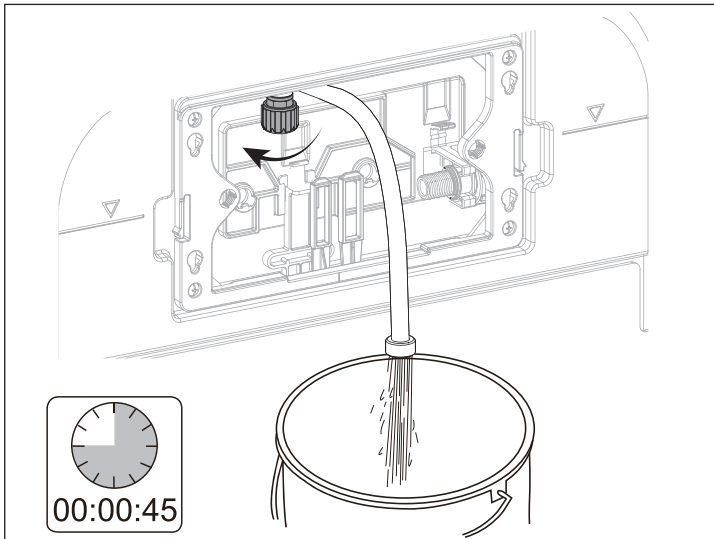
19.



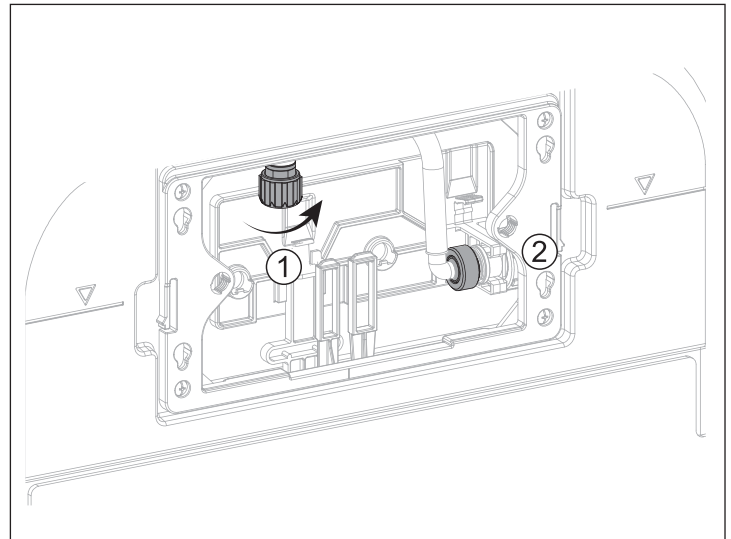
20.



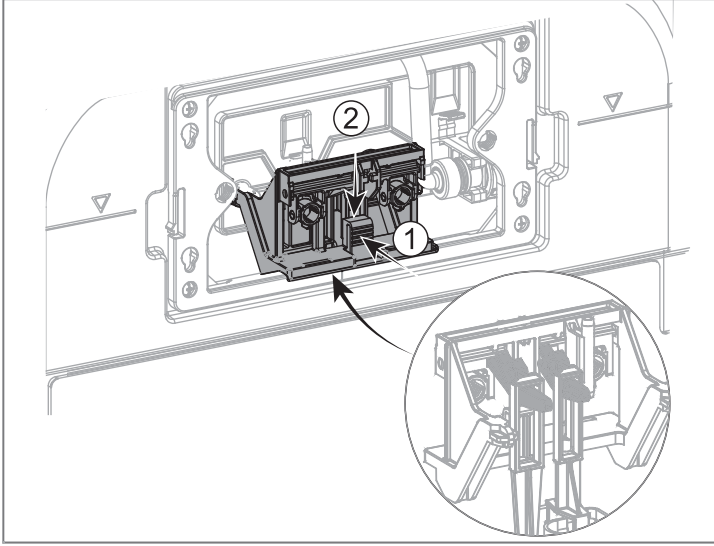
21.



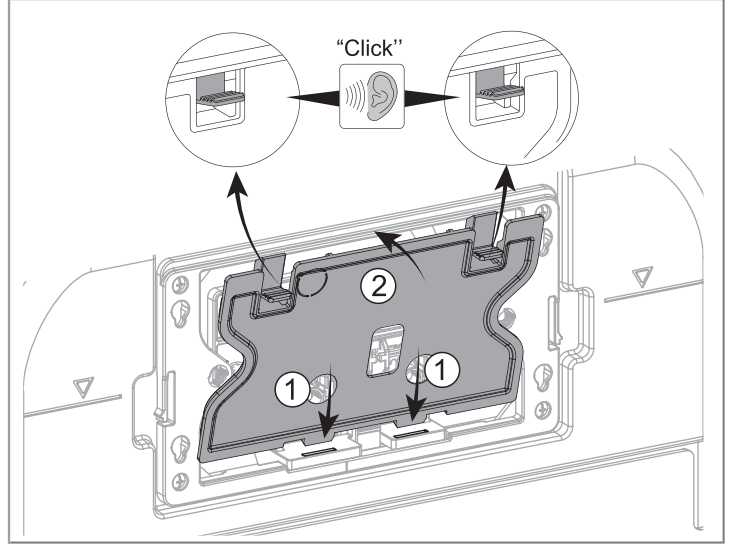
22.



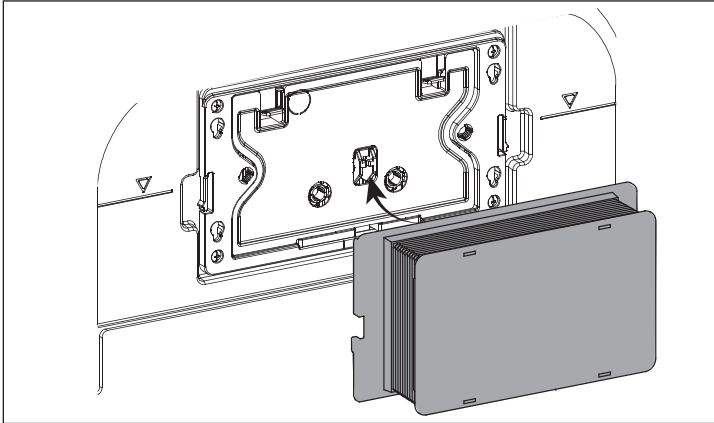
23.



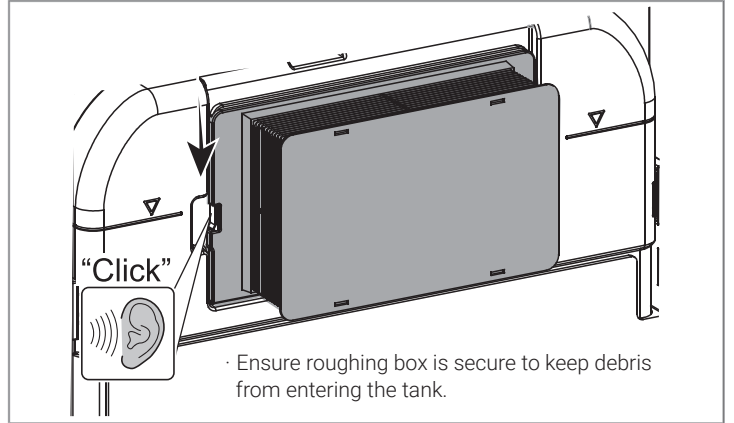
24.



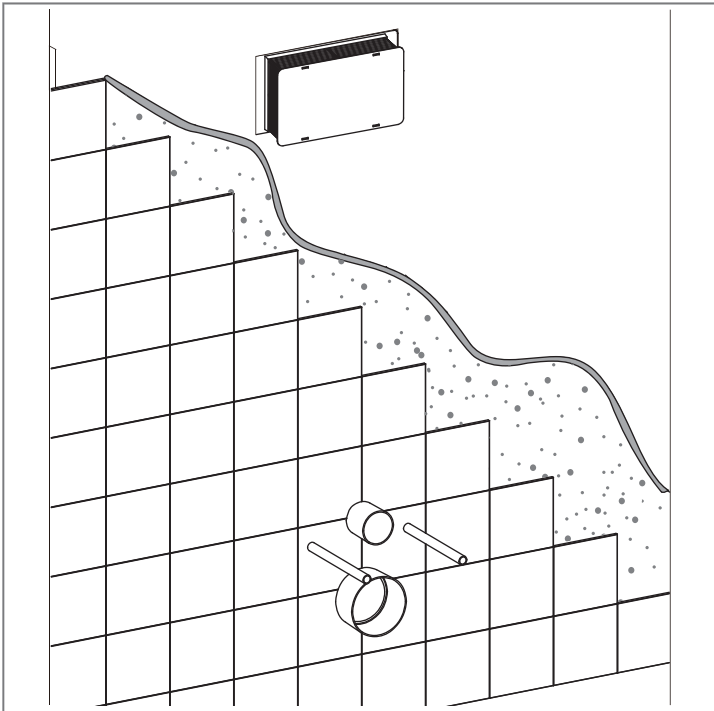
25.



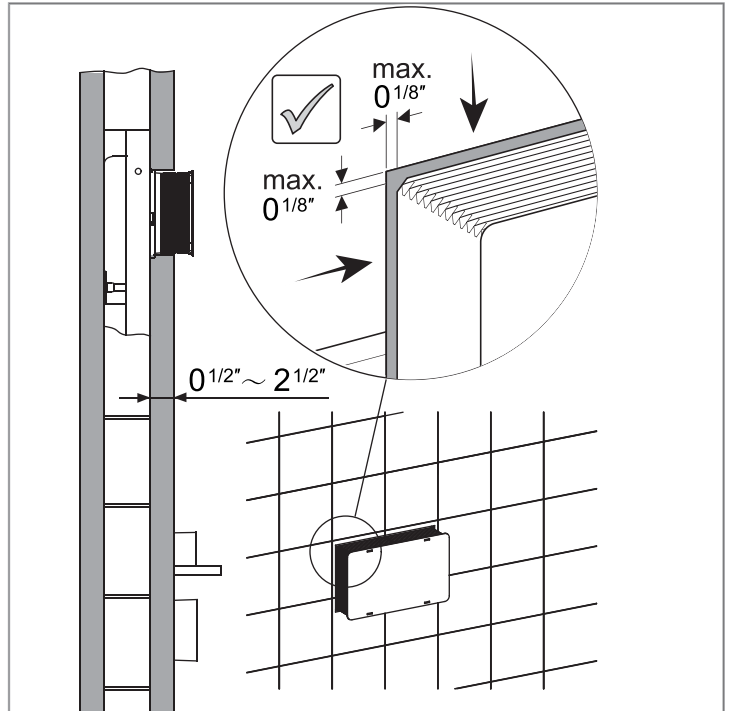
26.



27.



28.



Installing the Toilet.

1.

· Install pipes. Be sure to seal them thoroughly.

2.

· With a ruler, against finished wall, on top of pipe, mark as shown.

3.

· Remove pipes from wall and install into back of bowl. Make sure pipes are sealed thoroughly.

4.

· With a ruler, against the back of the bowl, on top of pipe, mark as shown.

5.

· Measure distance between both lines on pipes. Take measured distance, deduct from bald end of pipe and cut pipes as shown in step 6. This will allow some tolerance to recut if necessary.

6.

· L1: The distance between the two lines on the straight tube.
· L2: The distance between the two lines on the connecting pipe.

7.

· After cutting, take file and remove all burrs. Try and bevel edge.

8.

9.

· With grease, sponge thoroughly to lubricate all ends.

10.

· Before mounting bowl, measure thickness of china and mounting hardware to get approximate depth of threaded rods.

11.

· Use slotted end of thread bolt to adjust in or out. Do not damage the thread.

12.

· Install with mounting hardware and ensure toilet bowl is level.

ONE YEAR LIMITED WARRANTY

Swiss Madison® products are made with quality materials and excellent craftsmanship to provide our customers with beautiful, durable, long-lasting products. Should there be any defects in materials or craftsmanship under regular use that are discovered within the first year of installation, Swiss Madison® will provide replacement parts at no charge, or at its discretion, replace any product or part of the product that is deemed defective, under normal installation, use, service or maintenance. This warranty applies only to the original purchaser. Proof of purchase will be required in the instance of a claim.

Swiss Madison® recommends all installations of Swiss Madison® products to be conducted by a licensed, professional plumber or contractor. Swiss Madison® will not be held responsible for any damage or product failure due to improper installation, misuse, or failure to utilize a licensed professional for installation. Swiss Madison® is not responsible for any installation or removal costs.

This One Year Limited Warranty Will Be Voided If:


- The installation recommendations were not followed by the installer
- The product has been moved from its initial place of installation
- The product has in any way been modified from its packaged state
- The product has been subjected to improper maintenance, abuse, misuse, excessive use of chemicals, accidents, or other damages, etc.

Swiss Madison® makes no implication that its products comply with any local building or plumbing codes. It is the consumer's responsibility and obligation to determine local code compliance prior to and during installation. This warranty extends only to the original purchaser and first consumer.

Swiss Madison® is not responsible for any special, incidental or consequential damages associated with the installation, replacement, return or use of the original purchaser's product. This includes, but is not limited to: freight costs, labor, travel time, lost profit, home damages and other contingent liabilities and costs (including, without limitation, costs associated with 'professionals' or 'experts', investigations, audits, analyses, attorneys and any other professional/hired services).

The Swiss Madison® warranty is a comprehensive and explicit limit of liability. All items not disclosed within the warranty are not addressable within the responsibility of Swiss Madison®. Certain states have variances regarding implied warranties; in those situations, we remain fully compliant.

**If you have any questions or concerns, please contact us directly at
1-434-MADISON (623-4766)**

 **WARNING:** Contents of your order may contain sharp and possibly other harmful pieces and may cause hazard to children and adults. Swiss Madison® is not responsible in any way for personal damages.