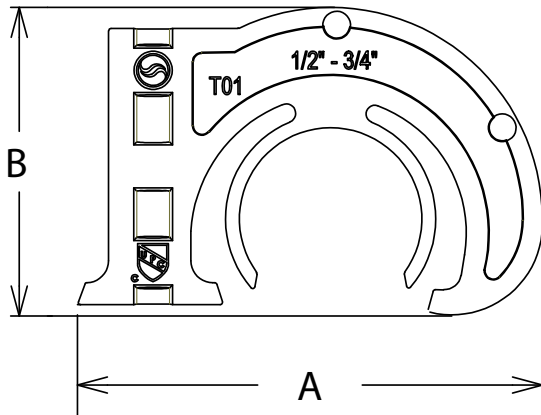


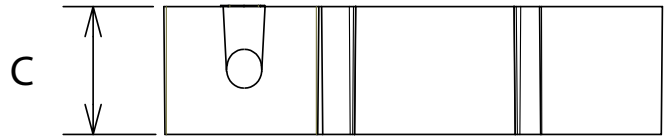


DUAL CLAMP

- Dual clamp for tube sizes 1/2"-3/4"
- Polypropylene material
- Preloaded with steel nail for copper, CPVC and PEX tubing
- Makes hanging pipe installation neat and prevents sagging
- Impact resistance to 0°F and withstand 160°F
- Maximum Load Rating: 25 lbs
- Products are in compliance with Uniform Plumbing Code (UPC) and National Plumbing Code of Canada (cUPC)
- IAPMO Certified



Bottom View of Clamp



Part No.	Description	A	B	C	Nail Length
H24D100	Pack of 100	1.57"	1.10"	0.40"	2.13"
H24D850	Bucket of 850	1.57"	1.10"	0.40"	2.13"