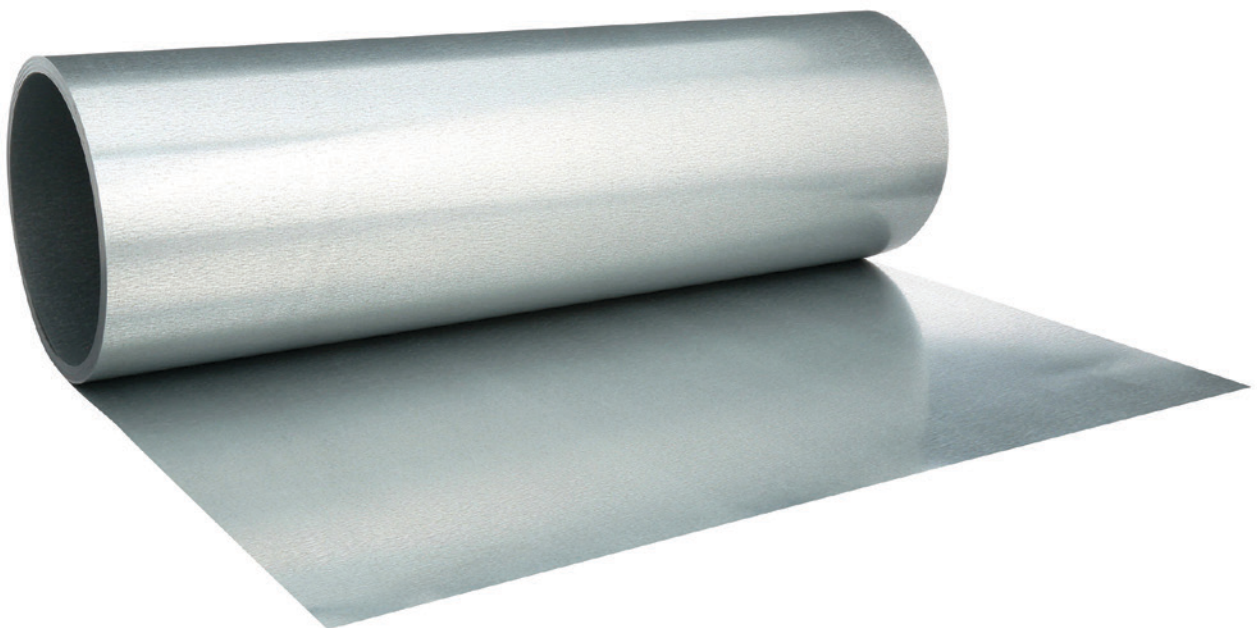
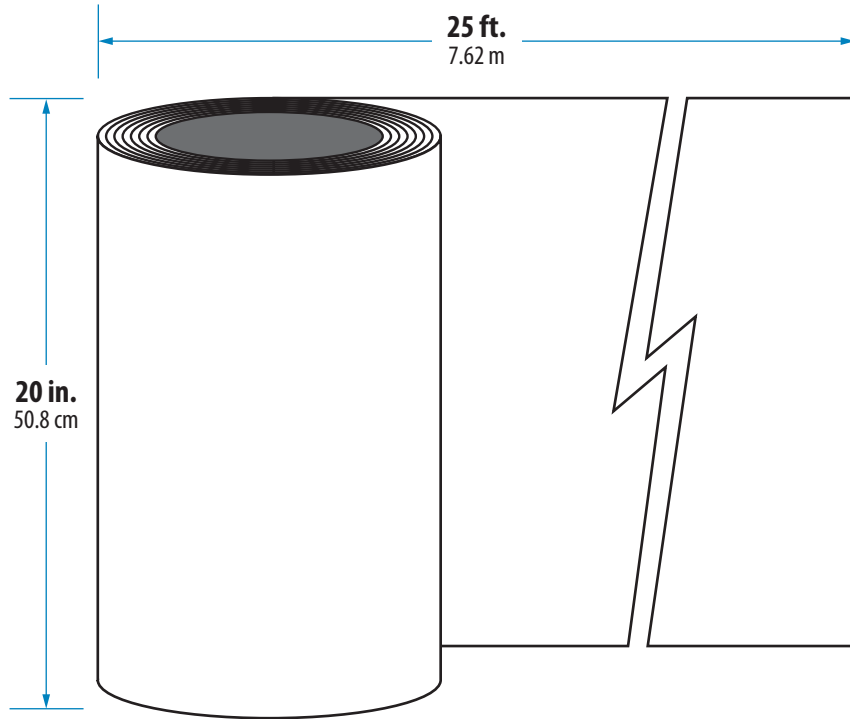


31 Gauge Galvanized Steel · 20 in. x 25 ft.



Mill Finish