

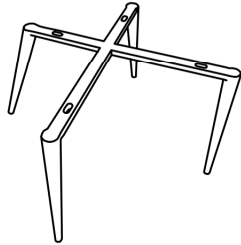
# WINSTON DINING CHAIR ASSEMBLY INSTRUCTIONS



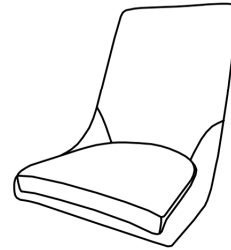
## PARTS/PACKAGING CONFIGURATION

- A. LEG FRAME 2PCS
- B. SEAT 2PCS

A



B



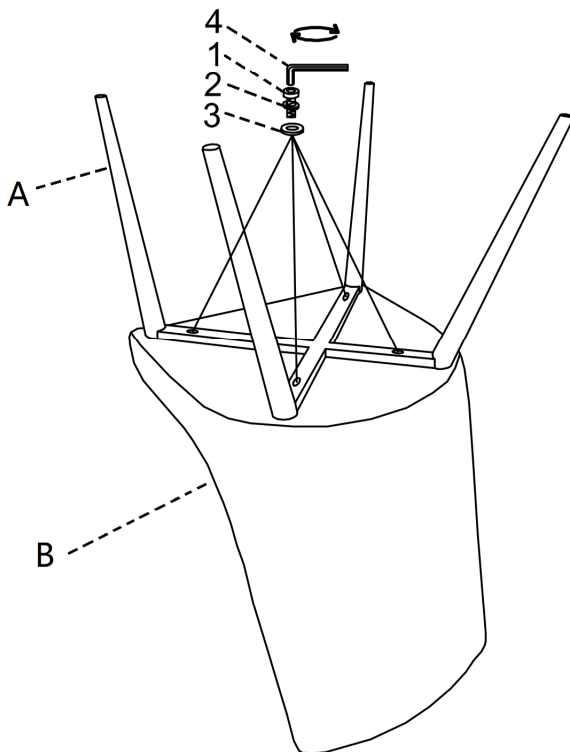
HARDWARE ENCLOSED IN CARTON ( for 2 chairs )

**FULLY ASSEMBLED**

NO.	DESCRIPTION	IMAGE	QUANTITY
1	ALLEN BOLT(6X35mm)		8 PCS
2	LOCK WASHER(M6)		8 PCS
3	FLAT WASHER (M6)		8 PCS
4	ALLEN KEY ( M4)		2 PCS



### STEP 1:



### ASSEMBLY COMPLETE

