

KALLISTA®

Central Park West® by Robert A.M. Stern
Architects

Transfer trim, lever handle
P21385-LV

Features

- High-quality solid-brass construction for durability and reliability
- Allows for directed water flow
- Required rough-in sold separately
- Unlacquered Brass (ULB) available in North America and the United Kingdom only

Required Products/Accessories

P29513-00 Transfer Valve

or

P29514-00 Transfer Valve, Eco

Adapters, Rough-in and Extension Kits

P29513-00 Range: 2-7/16" (62 mm) -
3-3/4" (95 mm)

P29514-00 Range: 2-7/16" (62 mm) -
3-3/4" (95 mm)

Recommended Products/Accessories

P21375-LV Pressure balance trim, lever handle

P21250-00 Wall-Mount Bath Spout

P21510-G Air-Induction ECO Small Traditional Rain
Showerhead

P22076-00 Body Spray



ADA

CSA B651

OBC

Codes/Standards

ASME A112.18.1/CSA B125.1

ADA

ICC/ANSI A117.1

CSA B651

OBC

NOM Standards




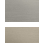


NOM 012-CONAGUA

KALLISTA® Five-Year Limited Warranty

See website for detailed warranty
information.

Available Colors/Finishes

Color tiles intended for reference only.

Color	Code	Description
	CP	Polished Chrome
	ULB	Unlacquered Brass
	BAF	Brushed French Gold
	BN	Brushed Nickel
	BV	Brushed Bronze
	SN	Polished Nickel

1-888-4-KALLISTA (1-888-452-5547)

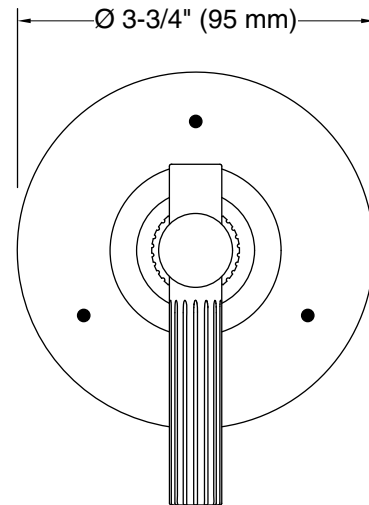
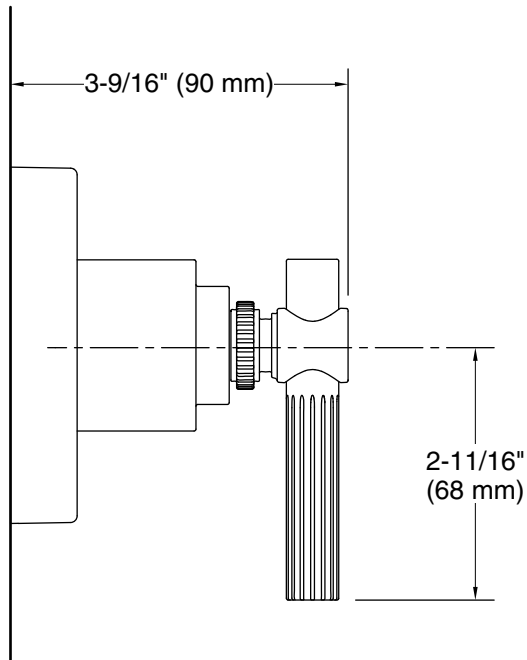
Kallista reserves the right to make revisions without notice to product specifications.

For the most current Specification Sheet, go to www.kallista.com.

1-26-2026 20:33 - US/CA

KALLISTA®

Central Park West® by Robert A.M. Stern
Architects
Transfer trim, lever handle
P21385-LV



Technical Information

All product dimensions are nominal.

Notes

ADA, OBC, CSA B651 compliant when installed to the specific requirements of these regulations.