

# SPEAKMAN® SM-3010

## Sentinel Mark II® Pressure Balance Shower System

### FEATURES:

- Sentinel Mark II concealed anti-scald balanced pressure shower.
- Chrome plated brass wall plate with metal index.
- Chrome plated brass lever handle.
- Independent center sleeve allows up to 1 in. of rough-in variation.
- Adjustable temperature limit stop. Brass body.
- Pressure balancing & ceramic temperature regulating cartridge with built-in check valves.
- Can be installed back-to-back.
- Roughing-in template.
- S-2272-E2 showerhead with flow control device reduces flow to a maximum of 2.0 gpm (7.6 L/min) flow rate
- S-2500 shower arm and wall flange.
- Four port valve with 1/2 in. female copper sweat inlets and shower outlet (tub outlet 1/2 NPT female).
- Furnished with 1/2 in. pipe plug.

### FINISH:



PC

### COMPLIANCE:

- ASSE 1016 & ASME 112.18.1/CSA B125.1 standards
- WaterSense certified (S-2272-E2 shower head)

### OPTIONS:

Add suffix to model #

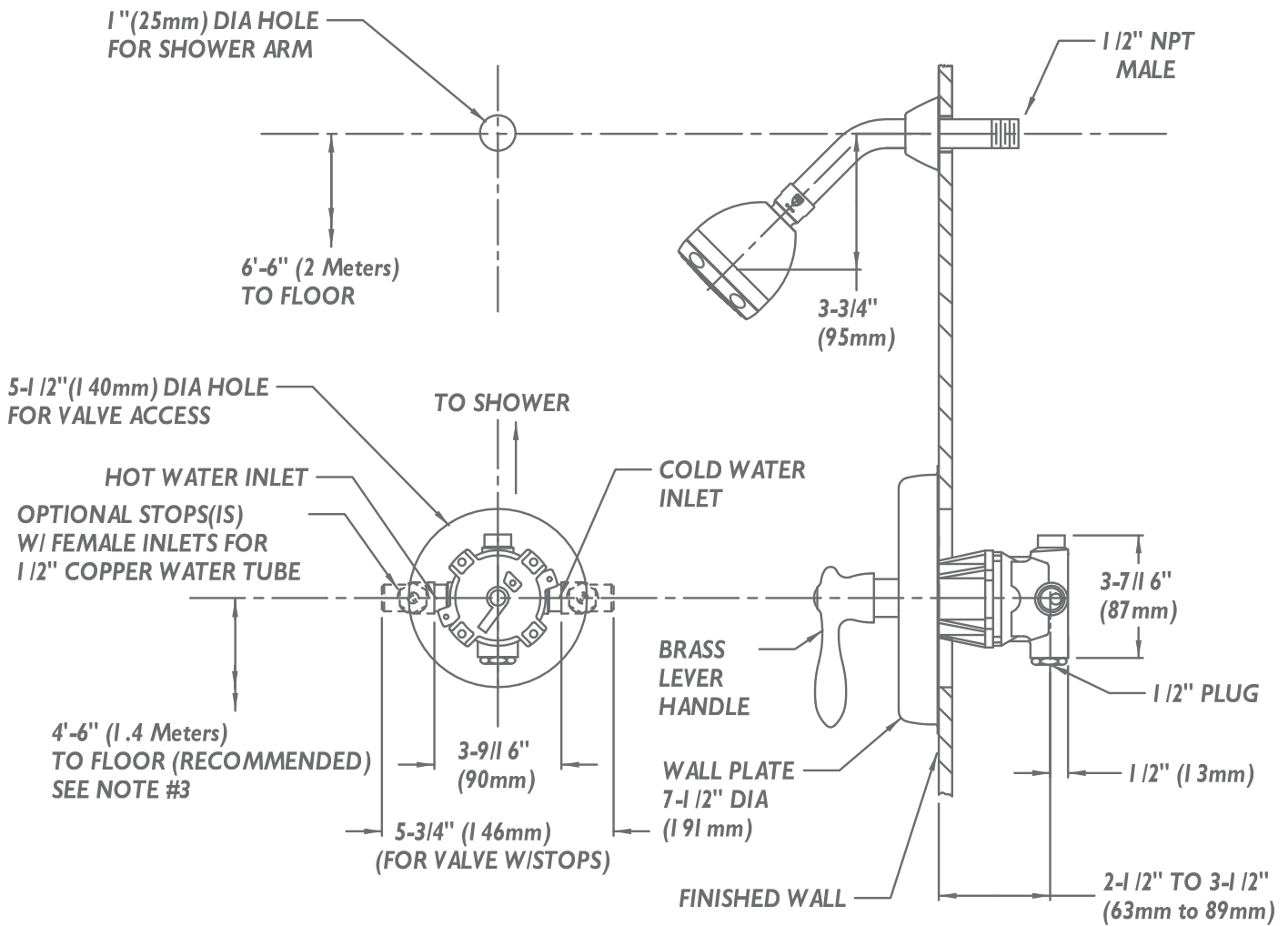
- Integral stops  -IS
- Less showerhead  -LH
- S-2251 showerhead  -1
- S-2252 showerhead  -2
- S-2253 showerhead  -3
- S-2292 showerhead  -9
- Contractor Packs Available

### WARRANTY:

- 5 year limited



**DIMENSIONS:** NOTE: 1. All dimensions are in inches (millimeters) unless otherwise specified and are subject to change without notice. 2. Unless otherwise specified all inlets and outlets are 1/2" female copper sweat. 3. For ADA mounting locations consult ADAAG, ANSI A17.1, or state regulations.



# SPEAKMAN® SM-3030

## Sentinel Mark II® Pressure Balance Shower/Tub System

### FEATURES:

- Sentinel Mark II® concealed anti-scald balanced pressure shower
- Chrome plated brass wall plate with metal index.
- Chrome plated brass lever handle.
- Independent center sleeve allows up to 1 in. of rough-in variation.
- Adjustable temperature limit stop. Brass body.
- Pressure balancing & ceramic temperature regulating cartridge with built-in check valves.
- Can be installed back-to-back.
- Roughing-in template.
- S-2272-E2 showerhead with flow control device reduces flow to 2.0 gpm (7.57 L/min) maximum.
- S-2500 shower arm and wall flange.
- S-1556 diverter tub spout.
- Four port valve with 1/2 in. female copper sweat inlets and shower outlet (tub outlet 1/2 NPT female).

### FINISH:



PC

### COMPLIANCE:

- ASSE 1016 certified
- ASME 112.18.1/CSA B125.1 certified
- WaterSense certified (S-2272-E2 shower head)

### OPTIONS: Add suffix to model #

- Integral stops  -IS
- Less showerhead  -LH
- S-2251 showerhead  -1
- S-2252 showerhead  -2
- S-2253 showerhead  -3
- S-2292 showerhead  -9
- Contractor Packs Available

### WARRANTY:

- 5 year limited



Architect/Engineer Approval Space:

SPEAKMAN  
400 ANCHOR MILL ROAD  
NEW CASTLE, DE 19720

P: 800-537-2107  
F: 800-977-2747  
W: WWW.SPEAKMAN.COM  
R: OCTOBER 2017

NOTE: 1. All dimensions are in inches (millimeters) unless otherwise specified and are subject to change without notice. 2. Unless otherwise specified all inlets and outlets are 1/2" female copper sweat. 3. For ADA mounting locations consult ADAAG, ANSI A117.1, or state regulations.

## DIMENSIONS:

