

**AXOR ShowerSolutions**  
**ShowerHeaven 720/720 3-Jet, 2.5 GPM**  
 Finishes : **stainless steel**    Part no. : **10625801**

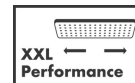


## Description

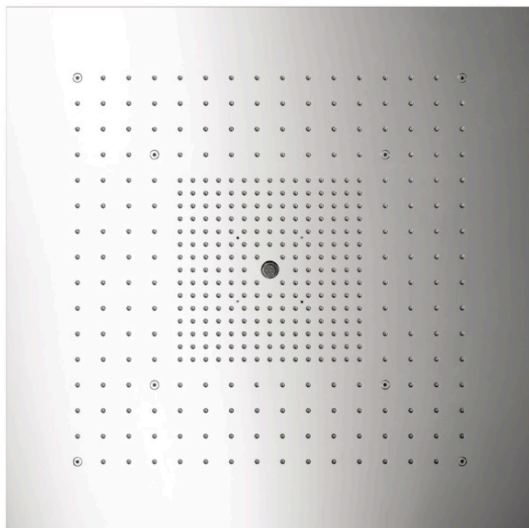
### Features

- Consists of: Showerhead, basic set
- 405 no-clog spray channels
- Spray modes: RainAir, Full, Mono
- Flow: 2.5 GPM (9.5 L/Min)
- Requires 3 supply lines
- Spray zones: Bodyzone — outer showerhead zone, Rainzone — inner showerhead zone with AIR function, Laminar spray — at 3/4 "
- Fully-finished matching spray face

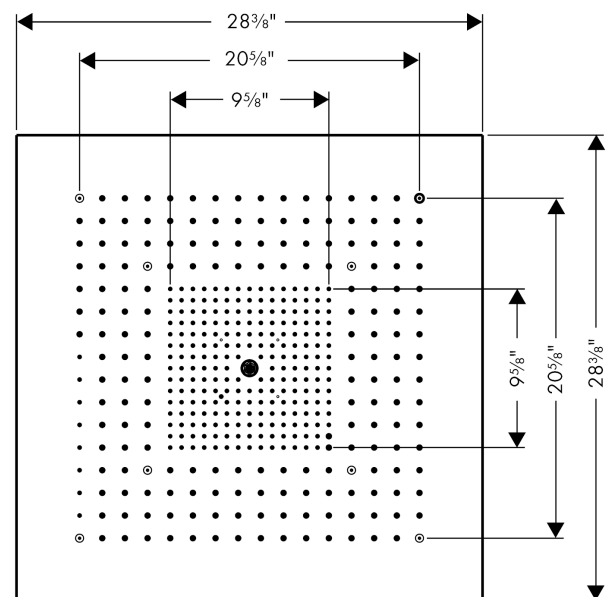
## Technology



## Product image



## Scale drawing

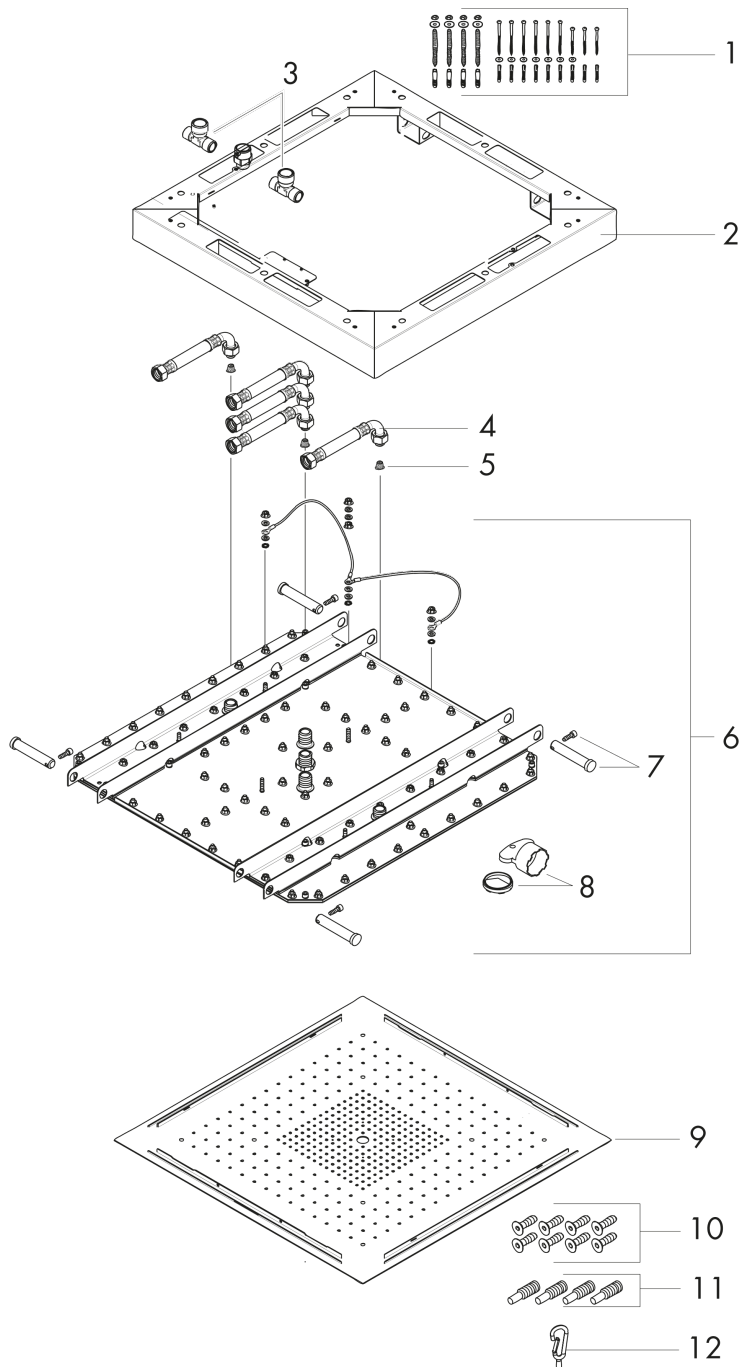


**AXOR ShowerSolutions**  
**ShowerHeaven 720/720 3-Jet, 2.5 GPM**  
Finishes : **stainless steel**    Part no. : **10625801**



## Exploded drawing

Year of production: >06/13



**AXOR ShowerSolutions**  
**ShowerHeaven 720/720 3-Jet, 2.5 GPM**  
 Finishes : **stainless steel**    Part no. : **10625801**



## Spare parts list

Year of production: >06/13

Pos.	Description	Part no.	PC	PU
1	mounting kit	97722000	0	1
2	installation frame	95145000	0	1
3	set of connecting threads	95142001	0	1
4	connection hose 800 mm G½ x G½	25963000	0	1
5	filter	97973000	0	1
6	spray head cpl.	95669000	0	1
7	mounting set	95146000	0	1
8	aerator laminar	95147000	0	1
9	deco-disk	95144000	0	1
10	set of screws	95149000	0	1
11	mounting-set	95150000	0	1
12	spring hook	95151000	0	1
a	base body	15936181	0	1